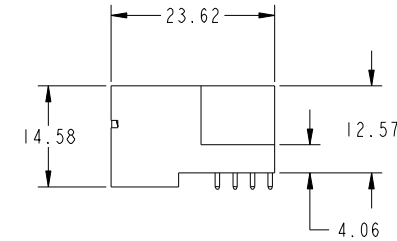
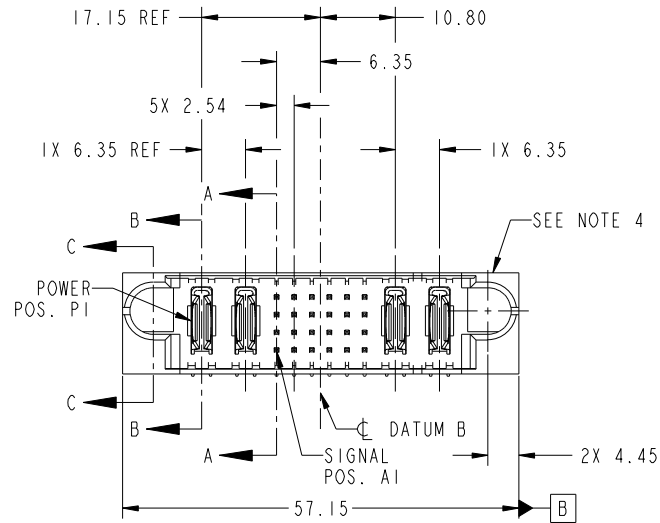


Tous droits strictement reserves. Reproduction ou communication a des tiers interdite sous quelque forme que ce soit sans autorisation écrite du propriétaire. Propriete de c FCI. Droits de reproduction FCI.



All rights strictly reserved. Reproduction or issue to third parties in any form whatever is not permitted without written authority from the proprietor. Property of FCI. Copyright FCI.

PRODUCT NO.	ROWS	POWER		SIGNAL						POWER			
		E1	P1	P2	1	2	3	4	5	6	P3	P4	E2
51730-165... NOTE 3	D C B A												



CODE	DIM "M" MATING LENGTH	CONTACT TYPE
PC	[N/A]	POWER
N	[6.86]	SIGNAL
B	[5.59]	SIGNAL
P	[6.86]	SIGNAL
Q	[6.86]	SIGNAL
V	[6.86]	SIGNAL

mat'l code				SEE NOTE		tolerances unless otherwise specified		CUSTOMER		FCI	
ltr	ecn no.	dr	date	linear		0.X ± 0.5	COPY		www.fciconnect.com		
A	DG09-0365	WD	11/21/09	angles		0.XX ± 0.25	projection		title		
						0.XXX ± 0.1	MIM		2P + 24S + 2P		
				dr	WARREN DU	11/15/09	← MIM →		RIGHT ANGLE SOLDER HEADER		
				enr	WARREN DU	11/15/09	scale		product family		code
				chr	PM ZHENG	11/15/09	1:1		PwrBlade		213
				appd	JOSEPH HSIA	11/15/09			size		sheet
sheet index		revision sheet	A 1	A 2	A 3	A 4			dwg no		1 of 4
									A 51730-165		
									cage code		4
									22526		

Pro/E

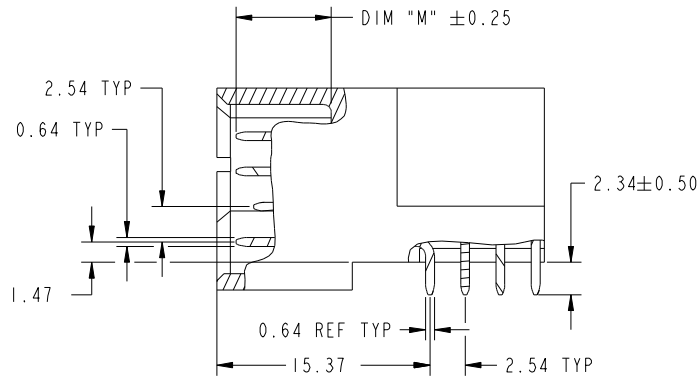
cage code 22526

Tous droits strictement reserves. Reproduction ou communication a des tiers interdite sous quelque forme que ce soit sans autorisation écrite du propriétaire. Propriete de c FCI. Droits de reproduction FCI.

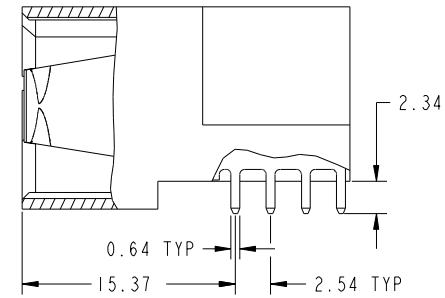
All rights strictly reserved. Reproduction or issue to third parties in any form whatever is not permitted without written authority from the proprietor. Property of FCI. Copyright FCI.



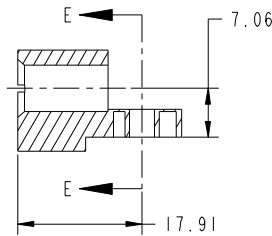
PRODUCT NUMBER  
51730-165--  
NOTE: 3



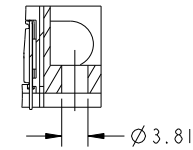
BROKEN-OUT SECTION A-A  
SCALE 2:1



BROKEN-OUT SECTION B-B  
SCALE 2:1



SECTION C-C



PARTIAL SECTION E-E

mat'l code		SEE NOTE		tolerances unless otherwise specified		CUSTOMER		 www.fciconnect.com	
ltr	ecn no.	dr	date	linear	0.X ±0.5	COPY		title	
A					0.XX ±0.25	projection		2P + 24S + 2P	
				angles	0.XXX ±0.1			RIGHT ANGLE SOLDER HEADER	
				dr	0° ±2°			product family PwrBlade code	
				enr	WARREN DU 11/15/09	scale		size	
				chr	WARREN DU 11/15/09	1:1		dwg no	
				appd	PM ZHENG 11/15/09			213	
					JOSEPH HSIA 11/15/09			sheet	
sheet index		revision sheet						2 of 4	

cage code 22526

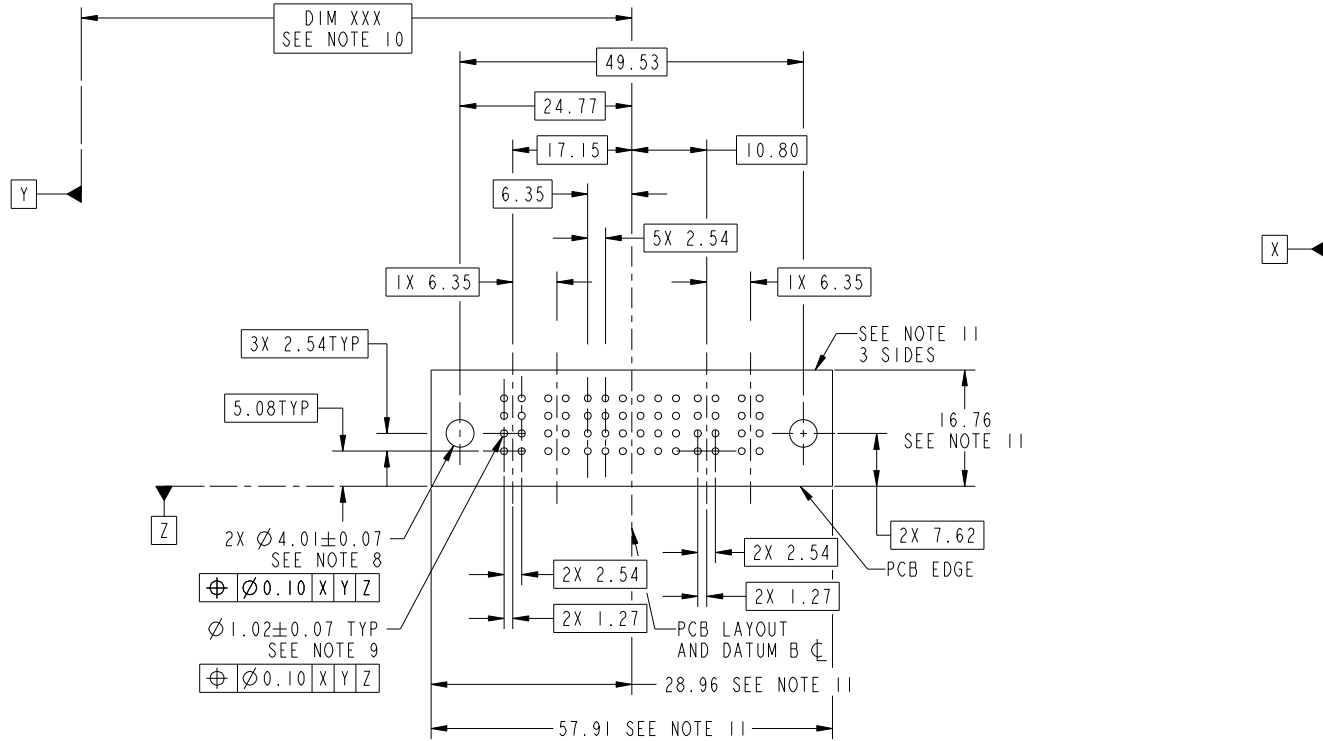
Pro/E

Tous droits strictement reserves. Reproduction ou communication a des tiers interdite sous quelque forme que ce soit sans autorisation ecrite du proprietaire. Propriete de c FCI. Droits de reproduction FCI.



All rights strictly reserved. Reproduction or issue to third parties in any form whatever is not permitted without written authority from the proprietor. Property of FCI. Copyright FCI.

PRODUCT NUMBER  
51730-165--  
NOTE: 3



RECOMMENDED PCB LAYOUT

mat'l code				SEE NOTE		tolerances unless otherwise specified		CUSTOMER		FCI	
ltr	ecn no.	dr	date	linear	0.X ± 0.5	COPY		www.fciconnect.com		title	
A					0.XX ± 0.25	projection		2P + 24S + 2P		RIGHT ANGLE SOLDER HEADER	
				angles	0.XXX ± 0.1	MIM		product family		PwrBlade	
		dr	WARREN DU	11/15/09	0° ± 2°	scale		size		code	
		enr	WARREN DU	11/15/09		1:1		dwg no		213	
		chr	PM ZHENG	11/15/09				51730-165		sheet	
		appd	JOSEPH HSIA	11/15/09				3 of 4			
sheet index		revision sheet									

cage code 22526

Pro/E

Tous droits strictement reserves. Reproduction ou communication a des tiers interdite sous quelque forme que ce soit sans autorisation écrite du propriétaire. Propriete de c FCI. Droits de reproduction FCI.



All rights strictly reserved. Reproduction or issue to third parties in any form whatever is not permitted without written authority from the proprietor. Property of FCI. Copyright FCI.

PRODUCT NUMBER  
51730-165--  
NOTE: 3

NOTES:

1. DIMENSIONS AND TOLERANCES ARE IN ACCORDANCE WITH ASME Y14.5M, 1994 UNLESS OTHERWISE SPECIFIED.

CONNECTOR NOTES:

- 2. HOUSING MATERIAL: UL 94 V-0 GLASS FILLED HIGH-TEMP THERMOPLASTIC  
POWER CONTACT MATERIAL: COPPER ALLOY  
SIGNAL PIN MATERIAL: COPPER ALLOY
- 3. PLATING:  
SEE ITEM 1 & 2 IN PRINT 10064183 FOR PLATING SPEC. OF 51730-165; 51730-165LF RESPECTIVELY.
- 4. MANUFACTURER'S NAME, DATE CODE AND OPTIONAL P/N TO APPEAR ON THIS SURFACE. THE P/N CAN BE OMITTED IF THERE IS NOT ENOUGH SPACE ON THIS SURFACE.
- 5. PRODUCT SPECIFICATION GS-12-149.  
APPLICATION SPECIFICATION BUS-20-067.
- 6. PACKAGED IN TRAYS.

PCB NOTES:

- 7. ALL HOLE DIAMETERS ARE FINISHED HOLE SIZE.
- 8. MOUNTING HOLES, WHERE APPLICABLE, ARE UNPLATED.
- 9.  $\varnothing 1.151 \pm 0.025$  DRILLED HOLES PLATED WITH 0.008 MIN SnPb OR Sn OVER 0.03 TO 0.08 Cu PLATING TO ACHIEVE  $\varnothing 1.02 \pm 0.07$  HOLE.
- 10. "DIM XXX" TO BE DETERMINED BY THE CUSTOMER.
- 11. CONNECTOR KEEP-OUT ZONE.

mat'l code		SEE NOTE		tolerances unless otherwise specified		CUSTOMER		FCI		www.fciconnect.com	
ltr	ecn no.	dr	date	linear	0.X ± 0.5	COPY		projection	title		
A					0.XX ± 0.25	MIM			2P + 24S + 2P		
				angles	0.XXX ± 0.1	← MIM →			RIGHT ANGLE SOLDER HEADER		
				dr	WARREN DU 11/15/09	scale		product family		PwrBlade	code
				enr	WARREN DU 11/15/09	1:1		size	dwg no		213
				chr	PM ZHENG 11/15/09	A		51730-165		sheet	
				appd	JOSEPH HSIA 11/15/09			4 of 4			
sheet index	revision sheet										

cage code 22526

Pro/E