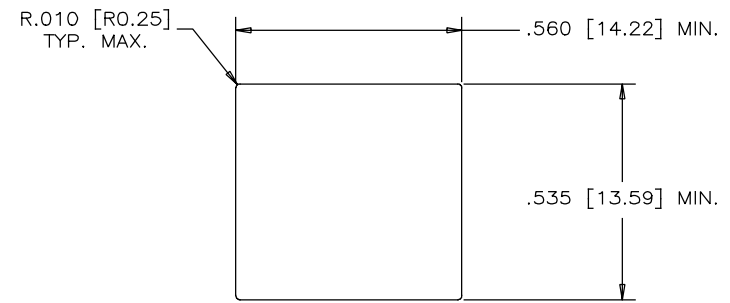
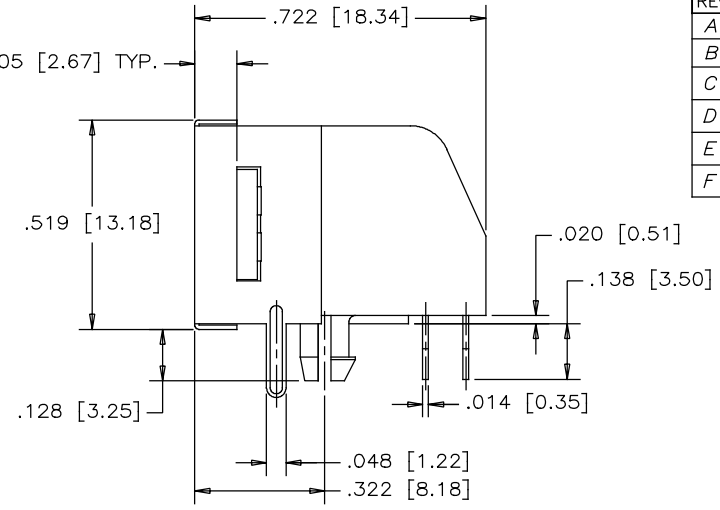
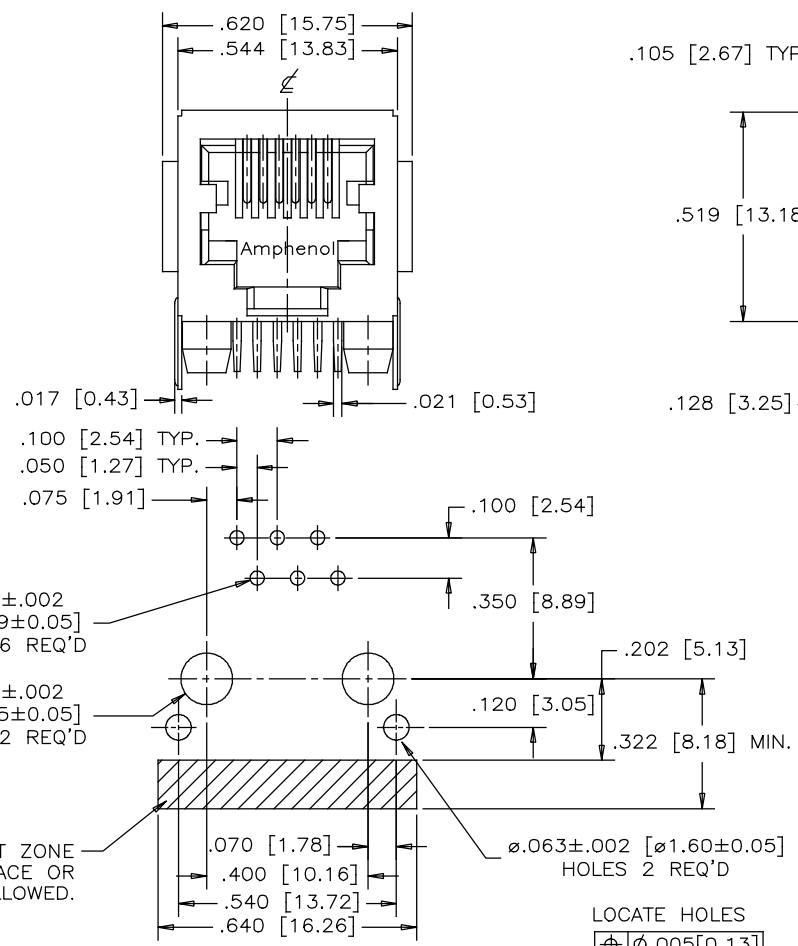


REVISIONS			
REV	DESCRIPTION, ECN, EAR NO.	DATE	APP'D
A	PROPOSAL	06/01/11	L.CHAN
B	PROPOSAL	JAN 18,07	L.CHAN
C	PROPOSAL	APR 9,09	L.CHAN
D	ADDING KEEP-OUT ZONE	DEC11/12	L.CHAN
E	ADDING DIMENSIONS	NOV14/14	L.CHAN
F	ADDING GENERAL TOLERANCE	MAY25/16	L.CHAN



RECOMMENDED PANEL CUTOUT

LOCATE HOLES
 $\phi \pm 0.005 [0.13]$
 HOLE POSITIONS
 ARE BASIC

RECOMMENDED P.C.B. LAYOUT
 (COMPONENT SIDE OF BOARD)

1. MATERIALS:

- HOUSING: HIGH TEMPERATURE THERMOPLASTIC, FLAMMABILITY RATING UL94V-0 COLOUR: BLACK
- CONTACTS: PHOSPHOR BRONZE. PLATING: GOLD PLATING (REFER TO PART NUMBER FOR THICKNESS ON MATING SURFACES) 50u" [1.27 MICRONS] MIN. NICKEL UNDERPLATE. 100u" [2.54 MICRONS] MIN. MATTE TIN ON CONTACT TAILS.
- SHIELD: COPPER ALLOY, NICKEL PLATED

PART NUMBER: RJE03-166-2X20

- 1 = 06 μ" GOLD
- 2 = 15 μ" GOLD
- 3 = 30 μ" GOLD
- 4 = 50 μ" GOLD

2. UNLESS OTHERWISE SPECIFIED DIMENSIONS ARE IN MILLIMETERS TOLERANCES ARE: 0.38mm.

THIS DOCUMENT CONTAINS PROPRIETARY INFORMATION AND SUCH INFORMATION MAY NOT BE DISCLOSED TO OTHERS FOR ANY PURPOSE OR USED FOR MANUFACTURING PURPOSES WITHOUT WRITTEN PERMISSION FROM AMPHENOL CANADA CORP.

UNLESS SPECIFIED OTHERWISE	DRAWN <i>Chigow</i>	DATE <i>06/01/11</i>
PRIMARY UNITS INCH	CHECKED <i>Paul.W</i>	DATE <i>06/01/11</i>
SECONDARY MILLIMETERS	M.E. APP'D	
REFERENCE IN PARENTHESES	Q.A. APP'D	
GENERAL TOLERANCES	DWG APPR.	
1 DECIMAL PLACE ±0.025	ENG. REL. NO.	
2 DECIMAL PLACES ±0.020	REF.	
3 DECIMAL PLACES ±0.015		
ANGULAR DEGREES ±1.0°		

Amphenol Canada Corp.
 www.amphenolcanada.com

TITLE: MODULAR JACK, PARTIAL SHIELD
 6 POSITIONS, 6 CONTACTS
 (WITH SIDE FLANGES)-ROHS COMPLIANT

DWG. NO. P-RJE03-166-2X20

CODE ID NO. 03554 DWG SIZE: C SCALE: N/A SHEET 1 OF 1



DO NOT SCALE DRAWING