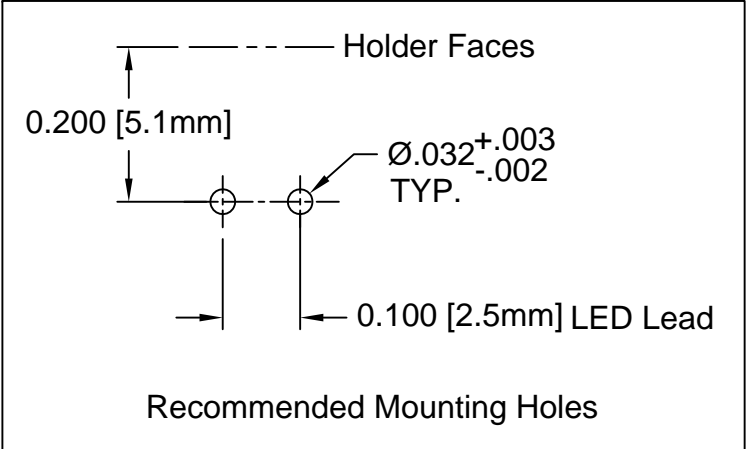
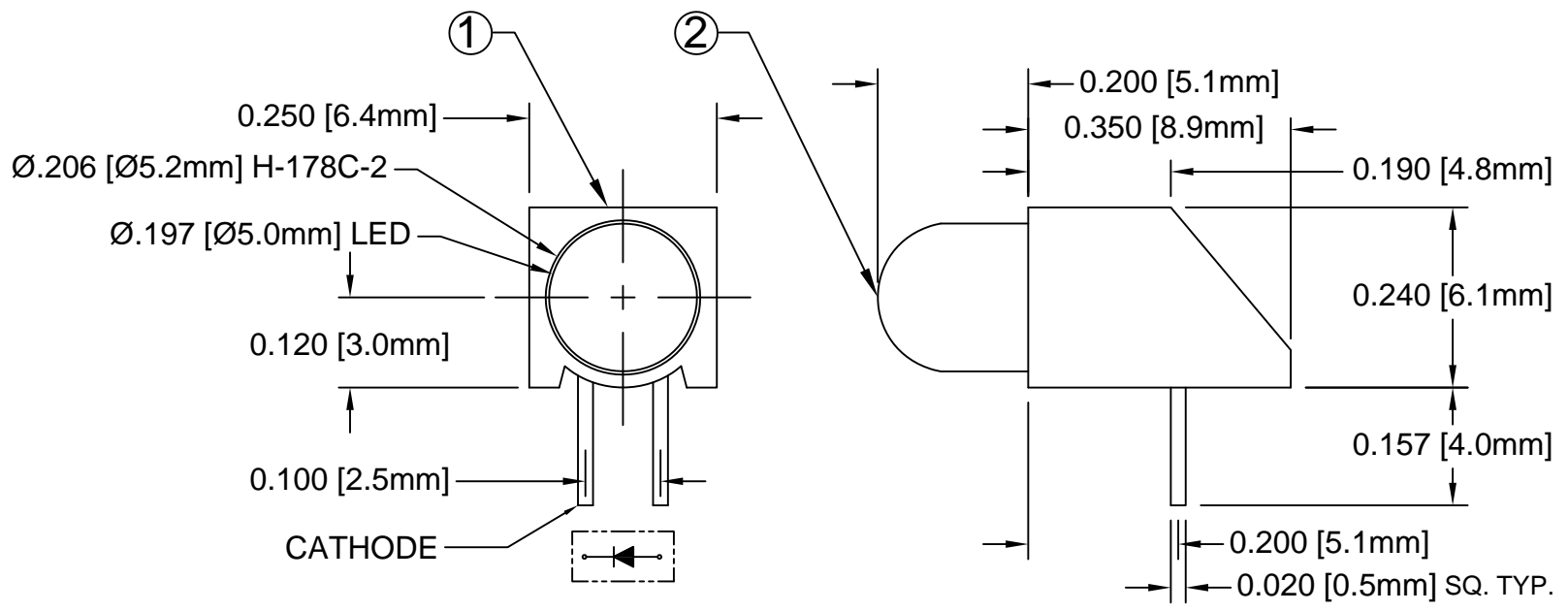


ITEM	Q'TY	PART NUMBER	PART DESCRIPTION
1	1	H-178C-2	T-1¼ (5mm) LED Holder, 90° Mount
2	1	5XX	T1 ¼ (5mm) Non-Flange LED, See Page 2

REV.	DESCRIPTION	DATE	APPROVED
A	Engineering Release	09/11/09	T. Y.
B	Engineering Update w/o Changes	06/20/16	J. C.



### ABSOLUTE MAXIMUM RATINGS (Ta=25° C)

REVERSE VOLTAGE	_____	5V
REVERSE CURRENT	_____	100µA
OPERATING TEMPERATURE RANGE	_____	-25° C - 85° C
STORAGE TEMPERATURE	_____	-30° C - 100° C
LEAD SOLDERING TEMPERATURE (1/16" FROM BODY)	_____	260° C FOR 5 SECONDS


STANDARD TOLERANCE (UNLESS OTHERWISE SPECIFIED)	
DECIMALS	ANGULAR
.X ± .1	X° ± 1°
.XX ± .02	
.XXX ± .010	

**BIVAR**<sup>®</sup>  
 4 THOMAS, IRVINE, CA. 92618  
 TEL: (949) 951-8808 FAX: (949) 951-3974

DESIGNED: <b>R. Paje</b>	DATE: <b>09/11/09</b>	<b>TITLE:</b> T1 ¼ (5mm) 90° SINGLE-LEVEL LED ASSY, REVERSE POLARITY <b>PART NO:</b> H178CXX-RP <b>CAGE CODE :</b> 32559	REVISION: <b>B</b>
CHECKED: <b>T. Yin</b>	DATE: <b>09/11/09</b>		<b>SHEET # 1 OF 2</b> <small>CAD GENERATED DOCUMENT. DO NOT MEASURE DRAWING.</small>

REV.	DESCRIPTION	DATE	APPROVED
	SEE SHEET #1		

LED Assy. No.	Peak Wave Length $\lambda_p$ (nm)	Emitted Color	Lens Appearance	Electro-Optical Data				Viewing Angle 2 $\theta$ 1/2 (Deg)	LED P/N
				If (mA)	Vf (V)		Iv (mcd)		
				TYP	TYP	MAX	TYP		
<b>STANDARD</b>				<b>Data @ 20mA</b>					
H178CBWD-RP	430	BLUE	DIFFUSED	20	4.0	4.5	15	45	5BWD
H178CGD-RP	568	GREEN	DIFFUSED	20	2.1	2.8	25	45	5GD
H178CSGD-RP	568	SUPER GREEN	DIFFUSED	20	2.1	2.8	30	45	5SGD
H178CUGC-RP	570	ULTRA GREEN	WATER CLEAR	20	2.1	2.4	600	35	5UGC
H178CSUGC-RP	570	ULTRA GREEN	WATER CLEAR	20	2.1	2.4	400	35	5SUGC
H178CYD-RP	590	YELLOW	DIFFUSED	20	2.0	2.8	25	45	5YD
H178CSYD-RP	590	SUPER YELLOW	DIFFUSED	20	2.0	2.4	300	45	5SYD
H178CAD-RP	605	AMBER	DIFFUSED	20	2.0	2.8	25	45	5AD
H178CHD-RP	625	HE RED	DIFFUSED	20	2.0	2.8	25	45	5HD
H178CRD-RP	700	RED	DIFFUSED	20	2.1	2.8	2	45	5RD
H178CSRD-RP	645	SUPER RED	DIFFUSED	20	1.7	2.4	40	45	5SRD
<b>LOW CURRENT</b>				<b>Data @ 2mA</b>					
H178CGDL-RP	568	GREEN	DIFFUSED	2	2.1	2.6	5	45	5GDL
H178CYDL-RP	590	YELLOW	DIFFUSED	2	2.0	2.6	4	45	5YDL
H178CHDL-RP	625	HE RED	DIFFUSED	2	2.0	2.6	5	45	5HDL
<b>5 VOLT</b>				<b>Data @ 5V</b>					
H178CGD5V-RP	568	GREEN	DIFFUSED	10	-	5.0	25	45	5GD5V
H178CYD5V-RP	590	YELLOW	DIFFUSED	10	-	5.0	20	45	5YD5V
H178CHD5V-RP	625	HE RED	DIFFUSED	10	-	5.0	50	45	5HD5V

STANDARD TOLERANCE (UNLESS OTHERWISE SPECIFIED)		 <b>BIVAR</b> <sup>®</sup> 4 THOMAS, IRVINE, CA. 92618 TEL: (949) 951-8808 FAX: (949) 951-3974	
DECIMALS	ANGULAR		
DESIGNED: <b>R. Paje</b>		DATE: <b>09/11/09</b>	<b>TITLE:</b> T1 3/4 (5mm) 90° SINGLE-LEVEL LED ASSY, REVERSE POLARITY  <b>PART NO:</b> H178CXX-RP <b>REVISION:</b> B
CHECKED: <b>T. Yin</b>		DATE: <b>09/11/09</b>	
		<b>CAGE CODE : 32559</b>	<b>SHEET # 2 OF 2</b>
CAD GENERATED DOCUMENT. DO NOT MEASURE DRAWING.			