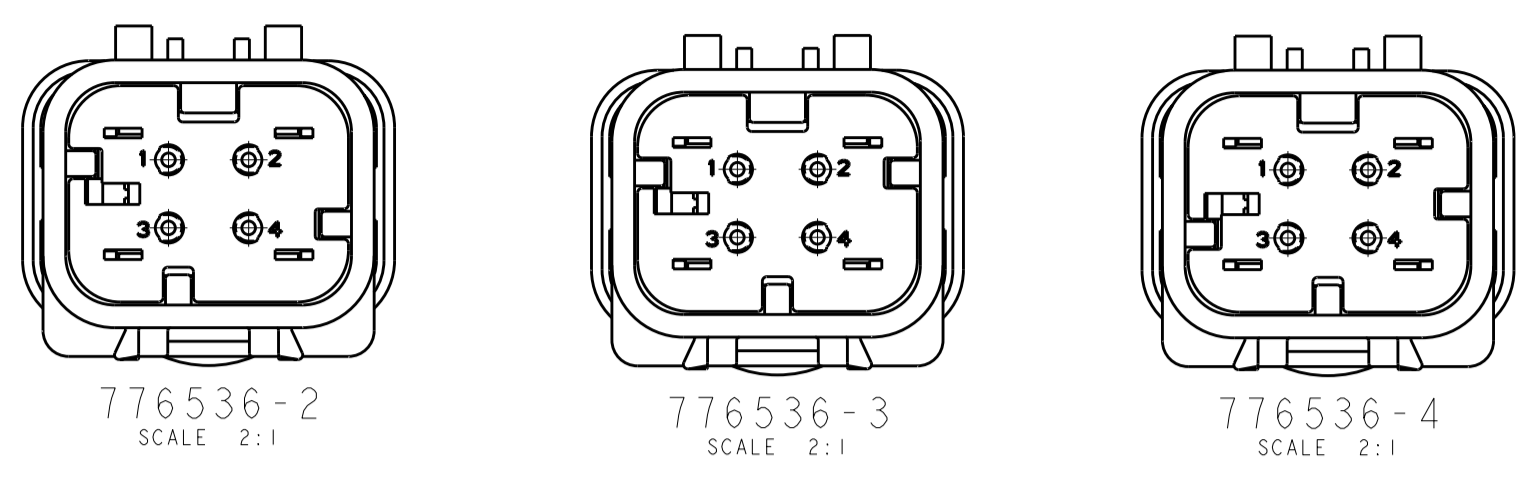
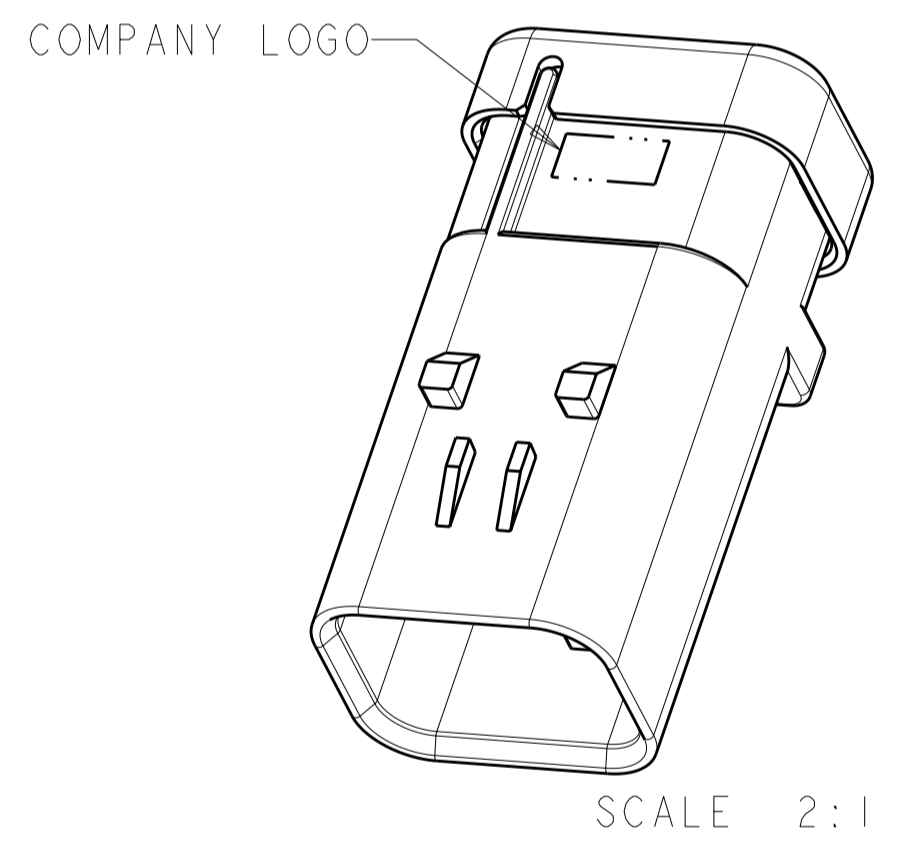
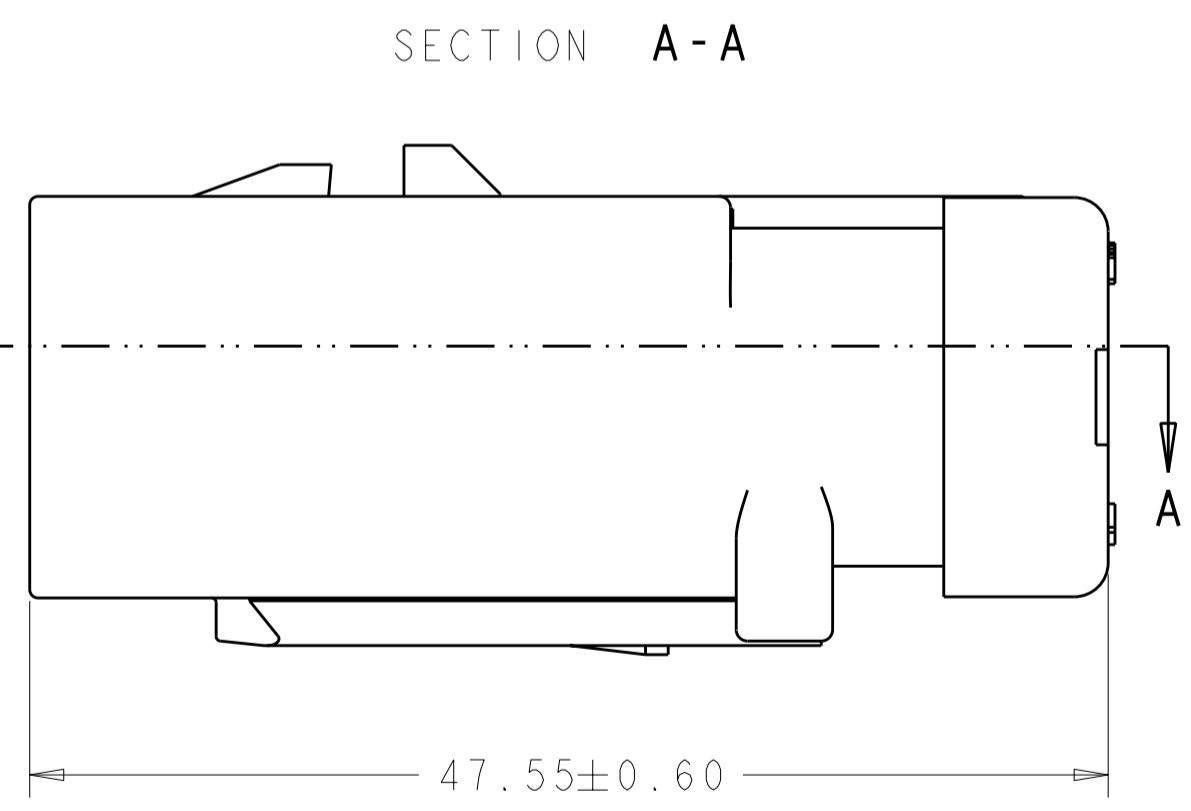
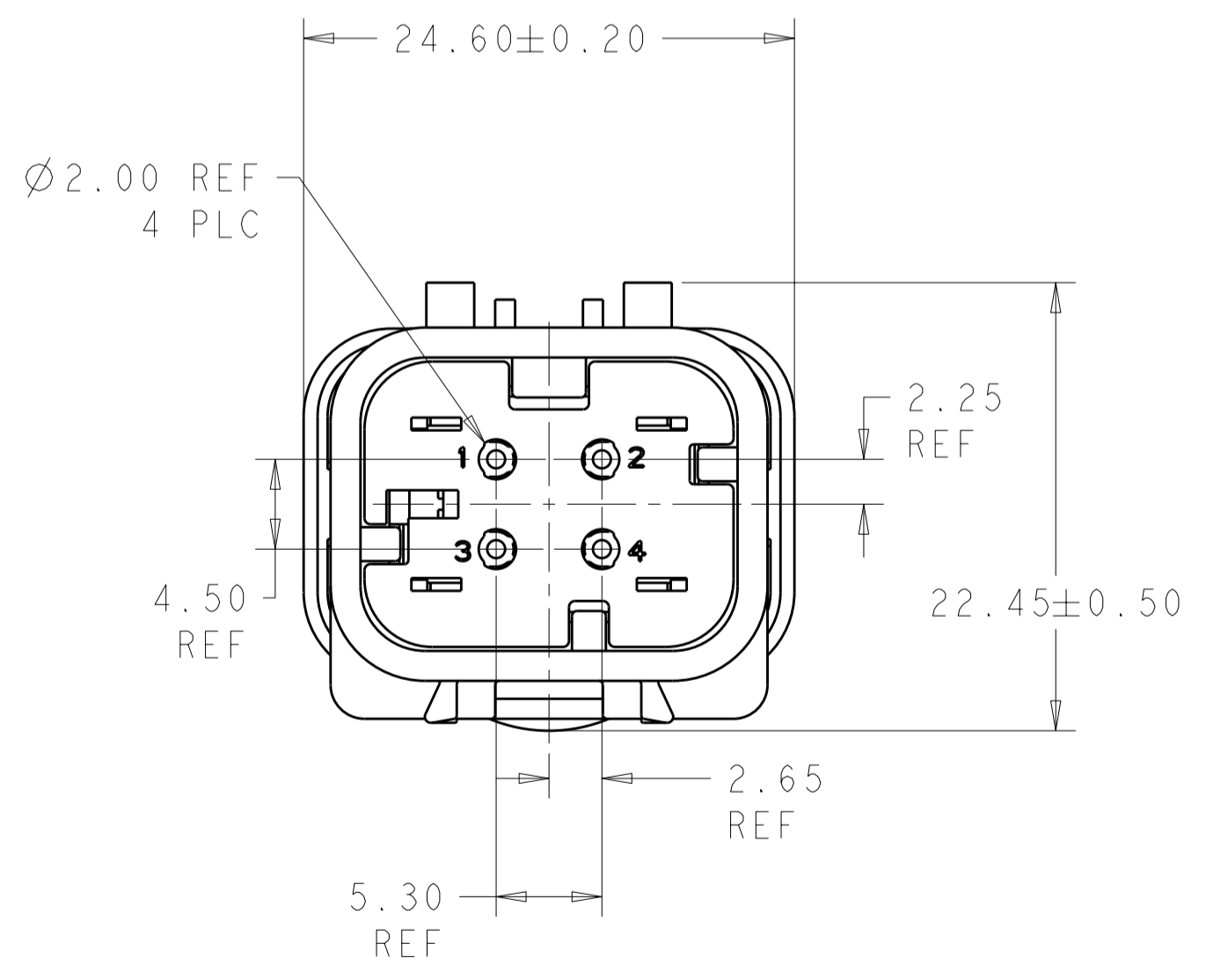
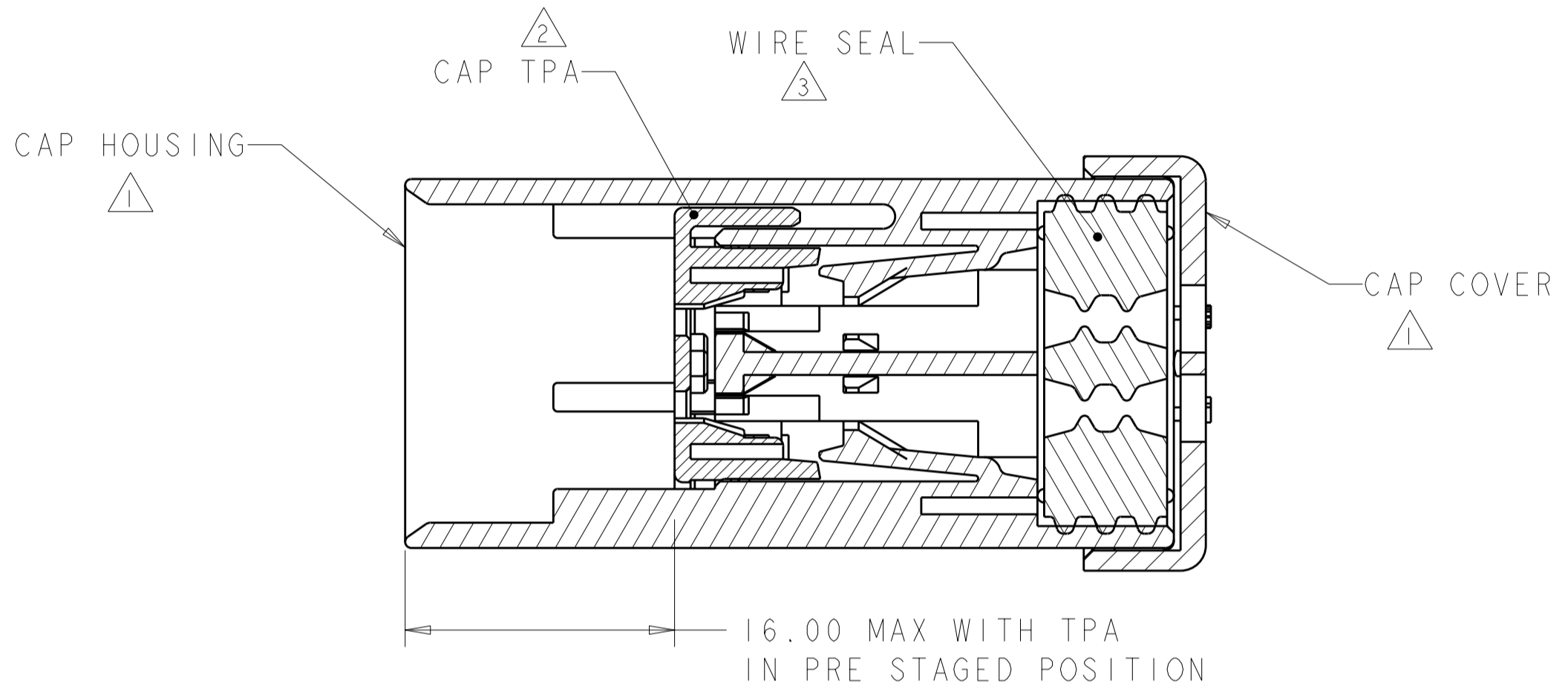


THIS DRAWING IS UNPUBLISHED. RELEASED FOR PUBLICATION
 © COPYRIGHT 20 BY - ALL RIGHTS RESERVED.

| LOC | DIST | REVISIONS | | | | | |
|-----|------|-----------|-----|---------------------------|-----------|-----|------|
| GE | 00 | P | LTR | DESCRIPTION | DATE | DWN | APVD |
| | | B3 | | REVISED PER ECO-11-005030 | 12MAR2011 | RK | HMR |



- ① MATERIAL: 15% GLASS FILLED THERMOPLASTIC
COLOR: BLACK
 - ② MATERIAL: 15% GLASS FILLED THERMOPLASTIC
COLOR: (SEE TABLE)
 - ③ MATERIAL: SILICONE
COLOR: ORANGE
4. RECOMMENDED WIRE DIAMETER RANGE IS 1.30 TO 2.54mm



| TPA COLOR | PART NUMBER |
|-----------|-------------|
| GREEN | 776536-4 |
| YELLOW | 776536-3 |
| GRAY | 776536-2 |
| RED | 776536-1 |

THIS DRAWING IS A CONTROLLED DOCUMENT.

| | | | |
|-------------|--|------------------|--------------|
| DIMENSIONS: | TOLERANCES UNLESS OTHERWISE SPECIFIED: | DWN | 04SEP03 |
| mm | 0 PLC ± | W. HOELSCHER | 04SEP03 |
| | 1 PLC ± | CHK | J. PATTERSON |
| | 2 PLC ± | APVD | D. KLEIN |
| | 3 PLC ± | PRODUCT SPEC | |
| | 4 PLC ± | APPLICATION SPEC | |
| | ANGLES ± | 114-13065 | |
| | FINISH | WEIGHT | |
| MATERIAL | | | |

CUSTOMER DRAWING

| | |
|---|---------------|
| TE Connectivity | |
| NAME: CAP ASSEMBLY, 4 POSITION, 2 ROW, AMPSEAL 16 CONNECTOR REDUCED DIA WIRE SEAL | |
| SIZE | RESTRICTED TO |
| A2 | - |
| CAGE CODE | DRAWING NO |
| 00779 | 776536 |
| SCALE | SHEET |
| 3:1 | 1 OF 1 |
| REV | B3 |