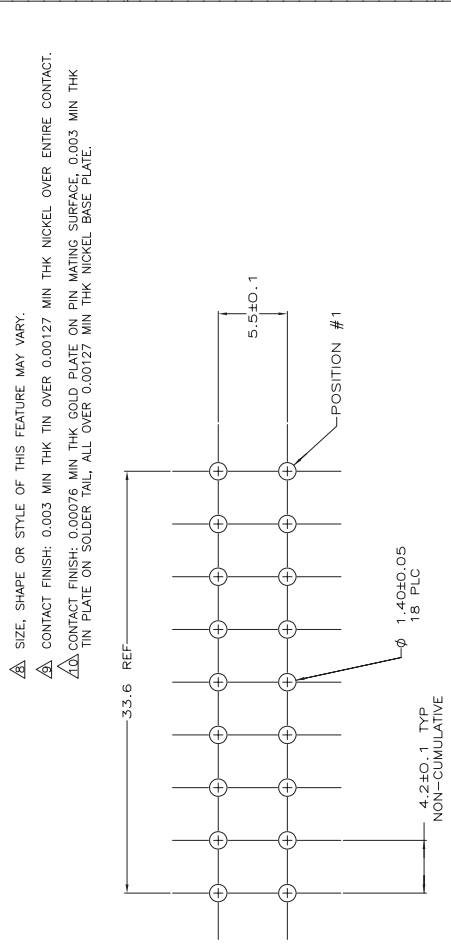
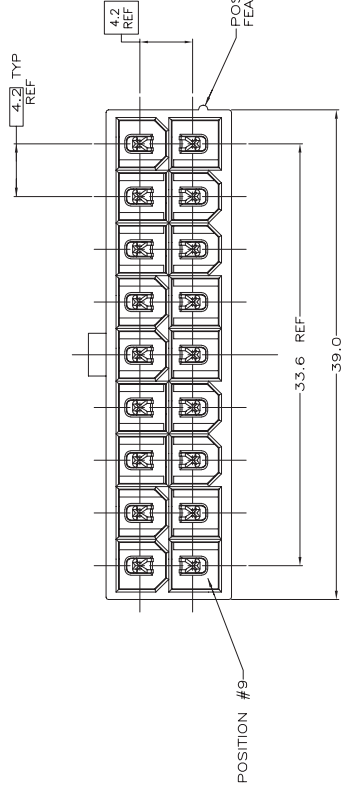
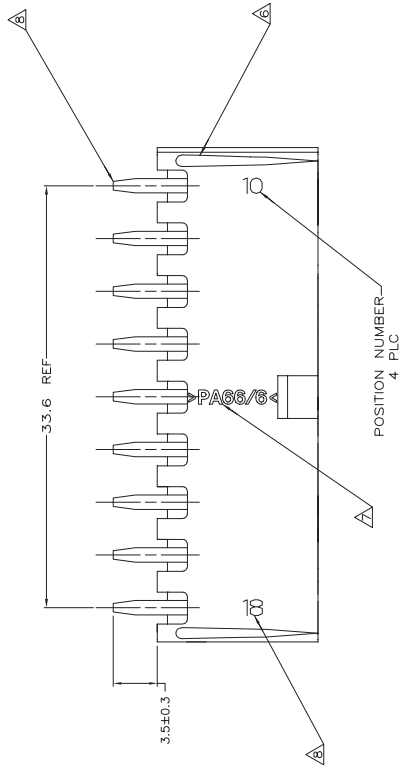
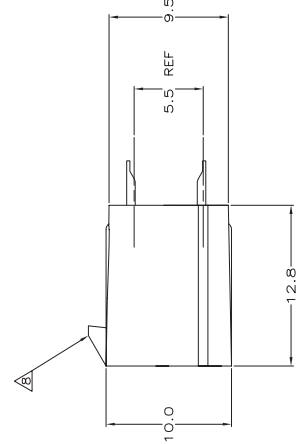


REVISED PER		DESCRIPTION	
DATE	BY	DATE	BY
13/06/06	KW	06-08-11	DC
CM	O		

- MATERIAL: HOUSING: NYLON, UL94V-0 (COLOR - NATURAL, COLOR OF PARTS MAY VARY). CONTACTS: 0.25 THK COPPER ALLOY.
- CONTACT FINISH: 0.003 MIN THK TIN-LEAD OVER 0.00127 MIN THK NICKEL OVER ENTIRE CONTACT.
- CONTACT FINISH: 0.00076 MIN THK GOLD PLATE ON PIN MATING SURFACE, 0.003 MIN THK TIN-LEAD PLATE ON SOLDER TAIL, ALL OVER 0.00127 MIN THK NICKEL BASE PLATE.
- SOLDER TAIL MEETS AMP SOLDERABILITY SPECIFICATION 109-11-2.
- MATES WITH SIMILARLY PLATED AMP-DUAC® POWER CONNECTOR RECEPTACLE HOUSINGS/SOCKET CONTACTS.
- RIBS ON FOUR CORNERS OPTIONAL.
- AMP LOGO AND MATERIAL ID MAY BE LOCATED ON EITHER LONG SIDE OF PART.
- SIZE, SHAPE OR STYLE OF THIS FEATURE MAY VARY.
- CONTACT FINISH: 0.003 MIN THK TIN OVER 0.00127 MIN THK NICKEL OVER ENTIRE CONTACT.
- CONTACT FINISH: 0.00076 MIN THK GOLD PLATE ON PIN MATING SURFACE, 0.003 MIN THK TIN PLATE ON SOLDER TAIL, ALL OVER 0.00127 MIN THK NICKEL BASE PLATE.



RECOMMENDED MOUNTING HOLE PATTERN FOR 1.78 MAX THICK P.C. BOARD COMPONENT SIDE SHOWN



SUPERSEDED BY 1-794491-2

SUPERSEDED BY 1-794491-1

MATERIAL	FINISH	HOUSING	COLOR	PART NO
△	△	△	△	1-794491-2
△	△	△	△	1-794491-1
△	△	△	△	794491-2
△	△	△	△	794491-1

THIS DRAWING IS A CONTROLLED DOCUMENT.		Tico Electronics Corporation	
DATE	BY	DATE	BY
06-08-11	DC	17/05-2008	
CM	O		

ASSEMBLY: HEADER, VERTICAL
18 POSITION, W/ DRAIN HOLES,
SHRIMP AMP-DUAC(M)
APPLICATION SPEC
108-1639
SEE TABLE

100779
A100779

CUSTOMER DRAWING

PAGE 5/1 PART 1 OF 1

