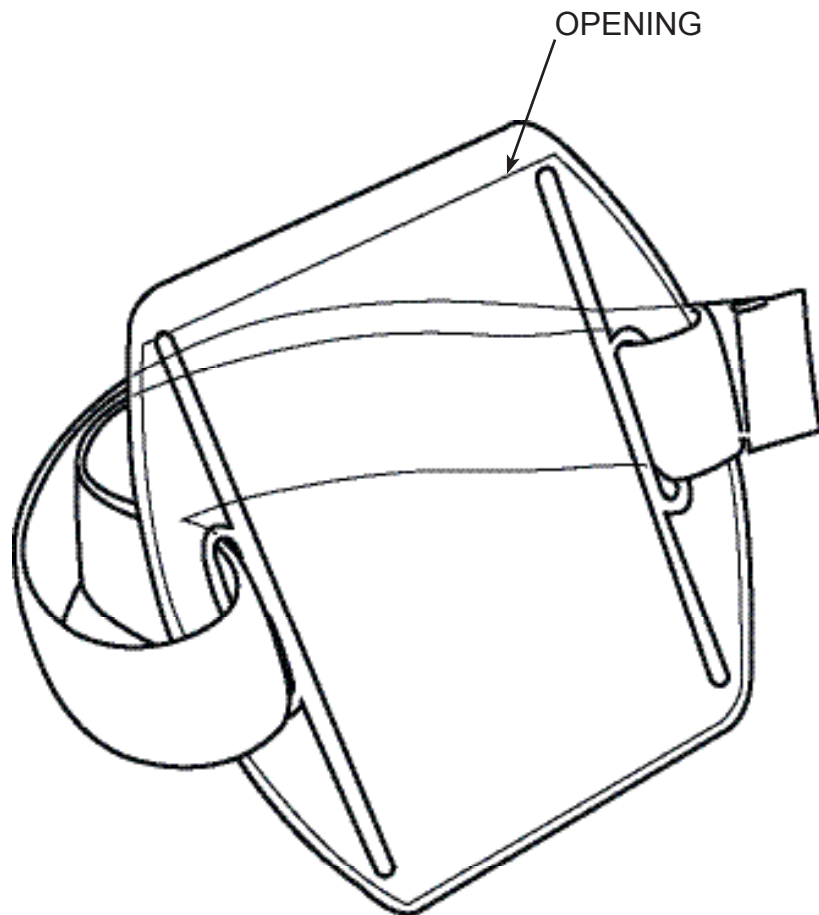




Made in the United States of America



Features:

- Arm Band Badge Holder
 - Material Thickness (35061 & 35062):
0.030" (2H) front & 0.020" (3S) back
 - Material Thickness (35190, 35191, & 35192):
0.012" (1S) front & 0.054" (2H) back
 - Material Tolerance (thickness):
±10%
- Adjustable to fit all size arms
- Conveniently adjusted with one hand with no need to remove badge holder from arm
- Use when it is preferable for badge to be secured around arm and not interfering with work, rather than to hang from neck or to attach to front of clothing
- 4" x 4 5/16" (Outer Dimension), 2 3/8" x 3 3/8" (Insert Size)
- Elastic band flexes with arm movement for secure fit
- Made in the United States of America

Item	Description
35061	Clear Arm Band Badge Holder, White Elastic Band
35062	Clear Arm Band Badge Holder, Black Elastic Band
35190	Orange Arm Band Badge Holder, Black Elastic Band
35191	Pink Arm Band Badge Holder, Black Elastic Band
35192	Green Arm Band Badge Holder, Black Elastic Band

Specifications and procedures subject to change without notice.

± 1/16" tolerances on dimensions unless specified

ARM BAND BADGE HOLDER, 2 3/8" x 3 3/8" INSERT SIZE



3651 WALNUT AVENUE, CHINO, CA 91710
PHONE: (909) 627-2453
WEBSITE: Menda-ID.com

DRAWING NUMBER
35061

DATE
December 2012