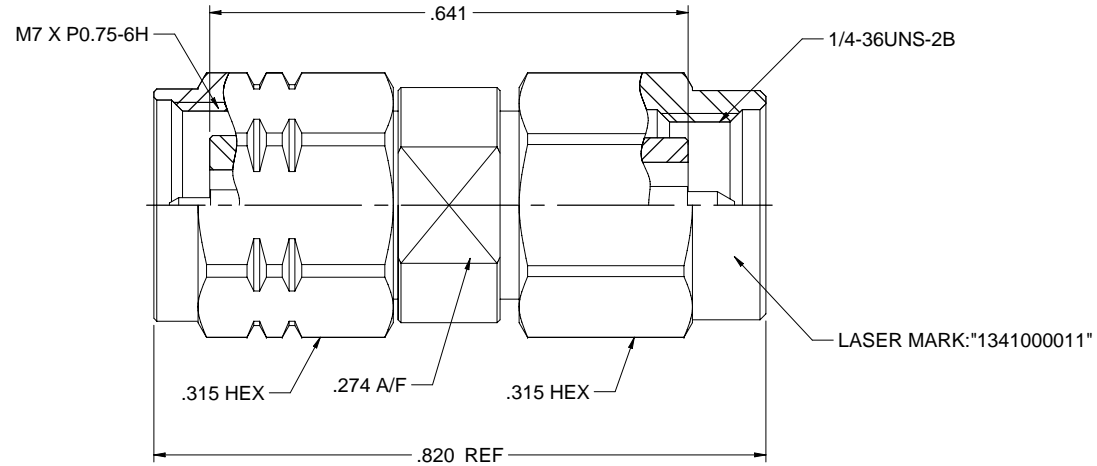


| MODEL NO.    | PACKAGING       |
|--------------|-----------------|
| 134-1000-011 | ONE PCS PER BAG |

| REV | ECO         | DATE       |
|-----|-------------|------------|
| 001 | ECO-11-0032 | 11/28/2017 |



NOTES: UNLESS OTHERWISE SPECIFIED

1. MATERIAL & FINISH:

- 1.1 BODY & SHELL: PASSIVATED STAINLESS STEEL
- 1.2 CONTACT PIN : GOLD PLATED BERYLLIUM COPPER
- 1.3 INSULATOR: ULTEM 1000 AMBER
- 1.4 GASKET: SILICONE RED
- 1.5 C RING: BERYLLIUM COPPER

2. ELECTRICAL:

- 2.1 IMPEDANCE: 50 OHMS
- 2.2 FREQUENCY RANGE: 0-46 GHz
- 2.3 INSERTION LOSS: 0.3DB MAX
- 2.4 DIELECTRIC WITHSTANDING VOLTAGE: 500 VRMS MIN
- 2.5 VOLTAGE STANDING WAVE RATIO: DC- 4 GHz: 1.05 MAX  
4 -20 GHz: 1.08 MAX  
20-46 GHz: 1.15 MAX
- 2.6 CONTACT RESISTANCE: CENTER CONTACT: 4 MILLIOHMS MAX  
OUTERR CONTACT: 2.5 MILLIOHMS MAX
- 2.7 INSULATION RESISTANCE: 5000 MOHM MIN

3. MECHANICAL:

- 3.1 ENGAGEMENT FORCE/DISENGAGEMENT FORCE: 0.23NM MAX
- 3.2 COUPLING PROOF TORQUE: 1.65 NM MIN (2.4MM), 1.7 NM MIN (SMK)
- 3.3 COUPLING NUT RETENTION: 267 N MIN
- 3.4 CONTACT RETENTION: 20N MIN
- 3.5 DURABILITY (MATING): 500 CYCLES MIN

4. ENVIRONMENT:

- 4.1 THERMAL SHOCK: MIL-STD-202, METHOD 107, CONDITION B.
- 4.2 OPERATING TEMPERATURE: -55 TO 125°C
- 4.3 SALT SPRAY: MIL-STD-202, METHOD 101, CONDITION B
- 4.4 SHOCK: MIL-STD-202, METHOD 213, CONDITION I
- 4.5 VIBRATION: MIL-STD-202, METHOD 204, CONDITION D
- 4.6 MOISTURE RESISTANCE: MIL-STD-202, METHOD 106

|  |                        |  |              |
|--|------------------------|--|--------------|
|  | Model No. 134-1000-011 | <b>Johnson</b>   |              |
|  |                        | Title: ADAPTER ASSEMBLY 2.4mm PLUG TO SMK(2.92mm) PLUG |              |
|  |                        | Drawing No. 134-1000-011                               | Rev. 001     |
|  |                        | Drawn By Betty Yu                                      | Checked By   |
|  |                        | Date: 10/27/2017                                       | Scale: C     |
|  |                        | DO NOT SCALE DRAWING                                   | Sheet 1 of 1 |