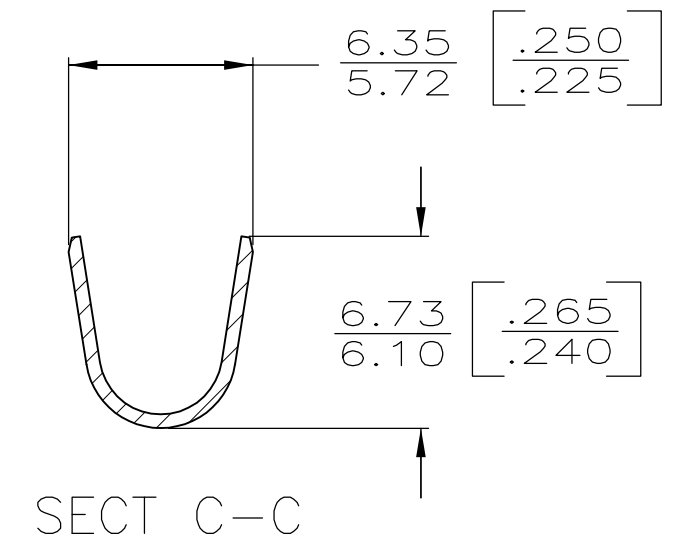
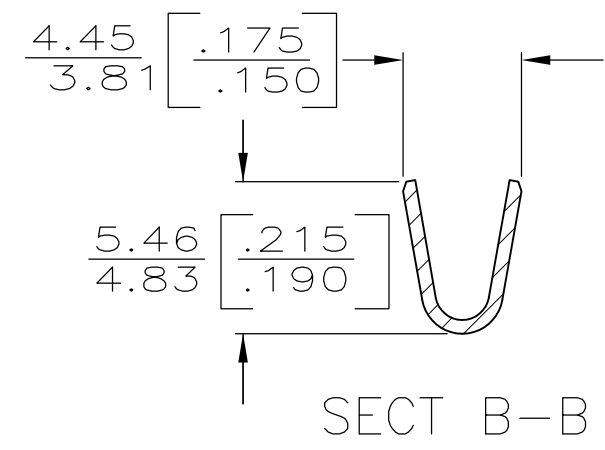
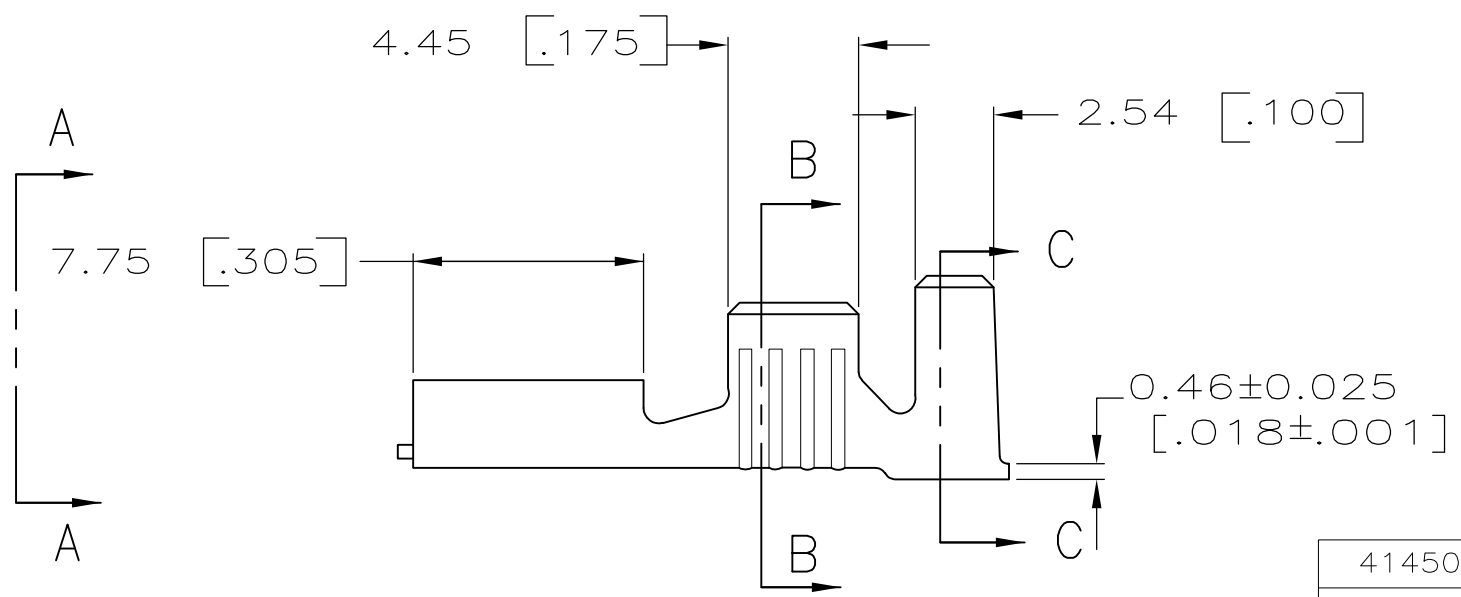
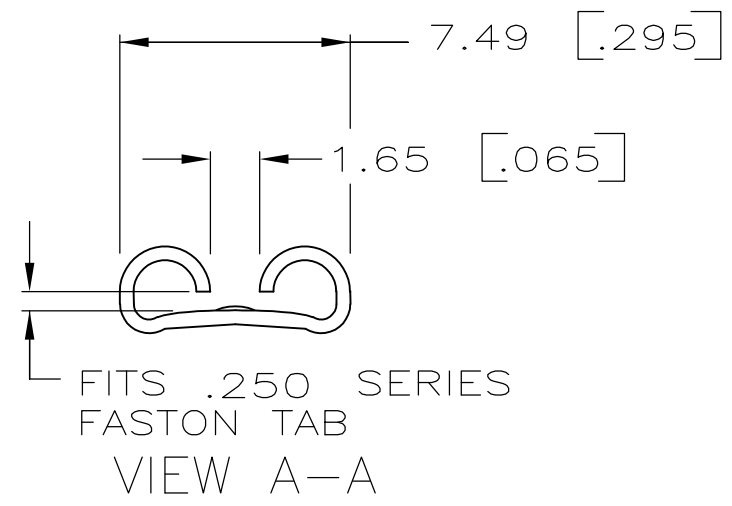
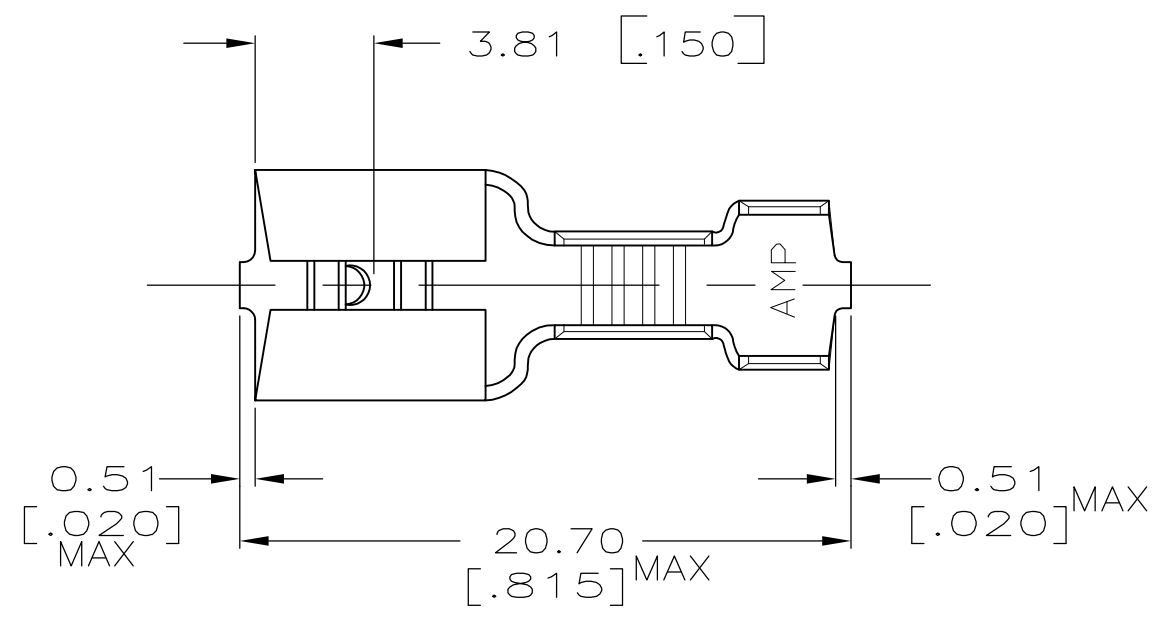


THIS DRAWING IS UNPUBLISHED. RELEASED FOR PUBLICATION
 © COPYRIGHT - By - ALL RIGHTS RESERVED.

LOC	DIST	REVISIONS			
P	LTR	DESCRIPTION	DATE	DWN	APVD
AF	50	B	REVISED PER ECR-12-013459	29NOV2012	KH PD

- 1 SUPPLIED IN LOOSE PIECE
- 2 WIRE SIZE IS 2.0-5.0mm² [14-10] AWG.
- 3 INSULATION RANGE IS 3.81-5.08 [.150-.200] DIA.
- 4 PRELIMINARY - NOT FOR PRODUCTION



41450-2	0.002032 [.000080] MIN TIN	T4 PHOS BRONZE	0.813 [.032]	△ 61227-2
41450	0.002032 [.000080] MIN TIN	BRASS	0.813 [.032]	61227-1
STRIP FORM	FINISH	MATERIAL	MATING TAB THK ±0.025 ±[.001]	PART NO

THIS DRAWING IS A CONTROLLED DOCUMENT.		DWN JR RUTH 3/2/93	TE Connectivity		
DIMENSIONS: mm [INCHES]		CHK MS FEHER 3/2/93			
TOLERANCES UNLESS OTHERWISE SPECIFIED:		APVD C MEYERS 3/2/93			
0 PLC ± - 1 PLC ± - 2 PLC ± - 3 PLC ± 0.25 [.010] 4 PLC ± - ANGLES ± -		PRODUCT SPEC	NAME RECEPTACLE, FASTON, .250 SERIES		
MATERIAL SEE TABLE		FINISH SEE TABLE	APPLICATION SPEC	SIZE A3	CAGE CODE 00779
			WEIGHT -	DRAWING NO C-61227	RESTRICTED TO -
CUSTOMER DRAWING			SCALE 4:1	SHEET 1 OF 1	REV B