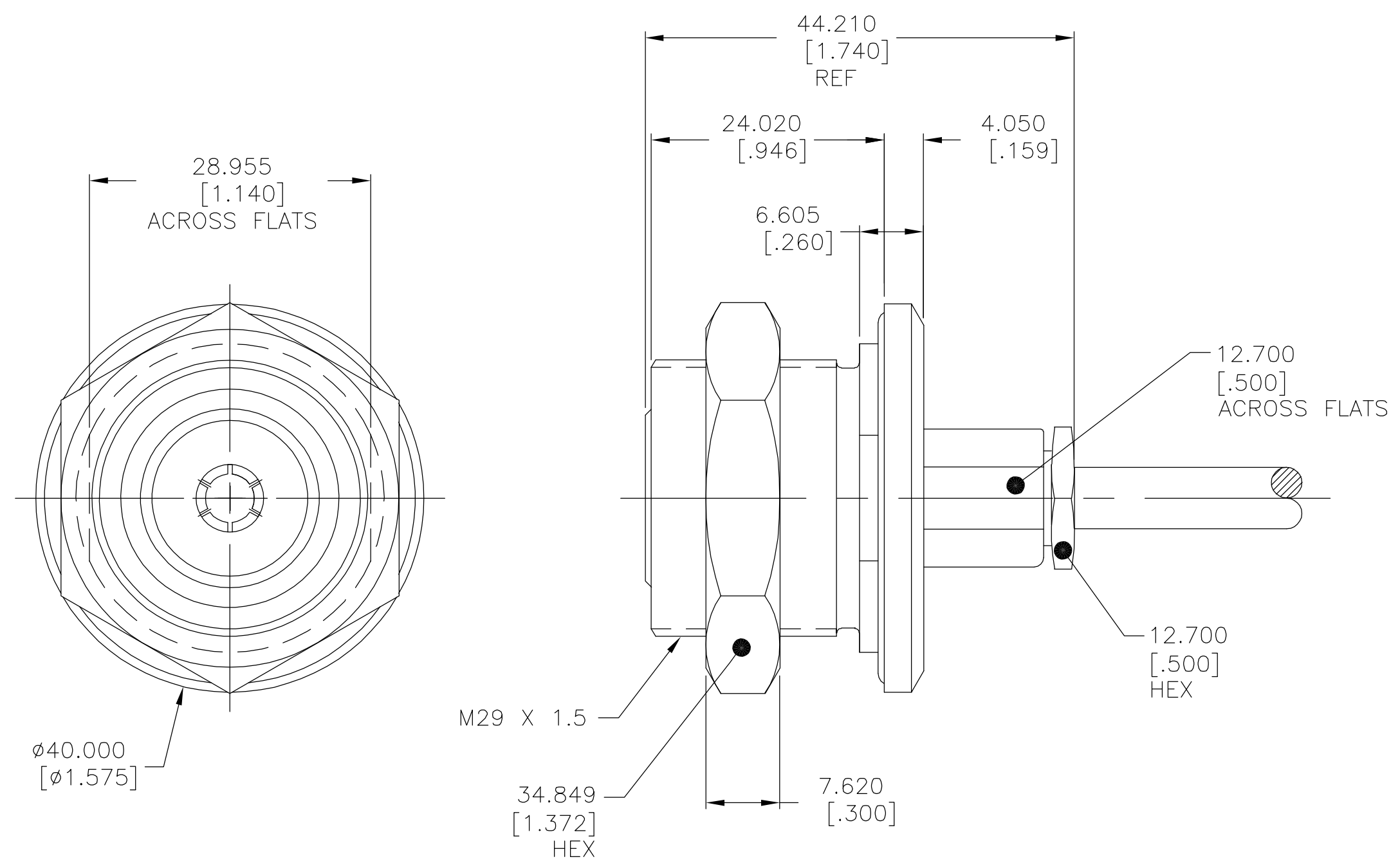


THIS DRAWING IS UNPUBLISHED. RELEASED FOR PUBLICATION
 © COPYRIGHT BY TYCO ELECTRONICS CORPORATION. ALL RIGHTS RESERVED.

LOC		DIST		REVISIONS			
P	LTR	DESCRIPTION	DATE	DWN	APVD		
	A	REVISED PER 0S14-0150-05	19NOV2005	REH	GM		

- DESIGNED FOR USE WITH 6.35 [.250] S.R. CABLE.
- CAPTURED CENTER CONTACT.
- SEE INSTRUCTION SHEET 408-4623.



COMPONENT	MATERIAL	FINISH
HOUSING, OUTER CONTACT, CLAMP NUT, MOUNTING NUT	BRASS PER ASTM-B-16 HALF HARD	WHITE BRONZE PLATE
DIELECTRIC	PTFE FLOURCARBON PER ASTM-D-1457	N/A
CENTER CONTACT	BERYLLIUM COPPER PER ASTM-B-196 OR ASTM-B-197 ALLOY C17300, CONDITION H	GOLD PLATE PER MIL-G-45204
SOLDER SLEEVE	BRASS PER ASTM-B-16, HALF HARD	GOLD PLATE PER MIL-G-45204
GASKET	SILICON RUBBER PER ZZ-R-765	N/A

CLAMP NUT	$\phi 6.909$ [.272]
SLEEVE	$\phi 6.426$ [.253]
CONTACT	$\phi 1.625$ [.064]
CABLE ENTRY DIAMETER MINIMUM	

THIS DRAWING IS A CONTROLLED DOCUMENT.		DWN HAMNER 19NOV2005	Tyco Electronics Corporation Harrisburg, PA 17105-3608	
DIMENSIONS: mm [INCHES]		CHK G.MICHAEL 19NOV2005		
TOLERANCES UNLESS OTHERWISE SPECIFIED:		APVD G.MICHAEL 19NOV2005	NAME 7/16 BULKHEAD JACK SOLDER CLAMP ATTACHMENT (8804-5004-94)	
0 PLC ± - 1 PLC ± - 2 PLC ± - 3 PLC ± 0.13 [.005] 4 PLC ± - ANGLES ± - FINISH -		PRODUCT SPEC -	APPLICATION SPEC -	RESTRICTED TO -
MATERIAL -		WEIGHT -	SIZE A2	CAGE CODE 00779
		CUSTOMER DRAWING	SCALE 2:1	SHEET 1 of 1

6089067-1
PART NUMBER