

THIS DRAWING IS UNPUBLISHED. RELEASED FOR PUBLICATION
 © COPYRIGHT - BY TYCO ELECTRONICS CORPORATION. ALL RIGHTS RESERVED.

LOC	DIST	REVISIONS					
GZ	00	P	LTR	DESCRIPTION	DATE	DWN	APVD
		B		EC0720-0447-04	13JUL04	MD	KH

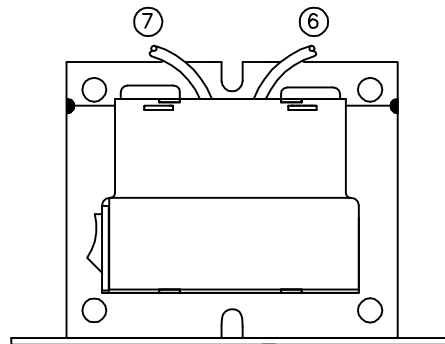
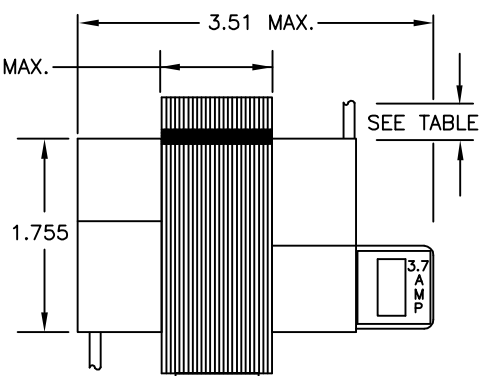
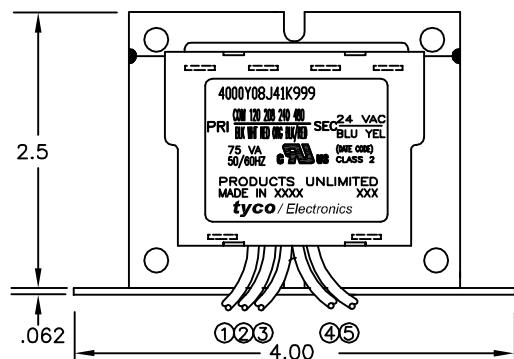
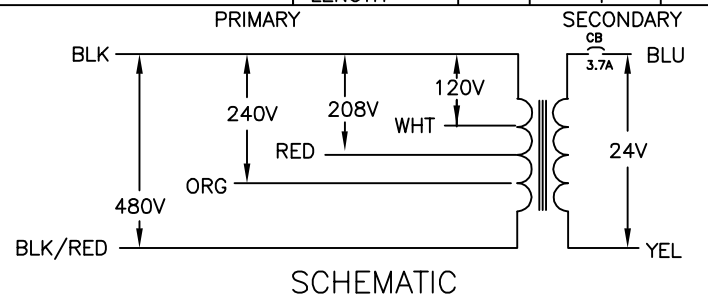
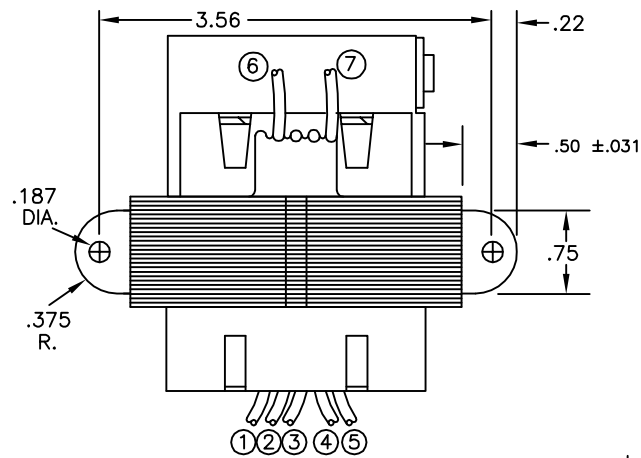
ALL LEADS 18AWG-UNLESS OTHERWISE SPECIFIED

PRIMARY					
LEAD NO.	1	2	3	4	5
VOLTAGE	COM	120	208	240	480
COLOR	BLK	WHT	RED	ORG	BLK/RED
LENGTH	12.0	12.0	12.0	12.0	12.0
STRIP LENGTH	.50	.50	.50	.50	.50

- NOTES
- DIMENSIONS FOR REFERENCE ONLY.
 - ALL LEADS +1"/-0" TOL.
 - STRIP TOL. ±1/32
 - WINDING PROTECTION- 3.7 AMP CIRCUIT BREAKER IN SECONDARY NON-INHERENTLY LIMITED

CERTIFICATION:
UL & CUL FILE NO. E87824

SECONDARY				
LEAD NO.	6	7	8	9
VOLTAGE	24	VAC		
COLOR	BLU	YEL		
LENGTH	12.0	12.0		
STRIP LENGTH	.50	.50		



THIS DRAWING IS A CONTROLLED DOCUMENT.		DWN	M.DAVIS	11MAR04	Tyco Electronics Corporation								
		CHK	K.HOLSCHUH	10MAR04	Harrisburg, Pa 17105-3608								
		APVD	K.HOLSCHUH	10MAR04	NAME								
		PRODUCT SPEC			TRANSFORMER OUTLINE								
		APPLICATION SPEC			-								
		WEIGHT			-								
		CUSTOMER DRAWING			SIZE	A3	CAGE CODE	00779	DRAWING NO	C=4000Y08J41K999	RESTRICTED TO	-	
					SCALE	NTS		SHEET	1	OF	1	REV	B