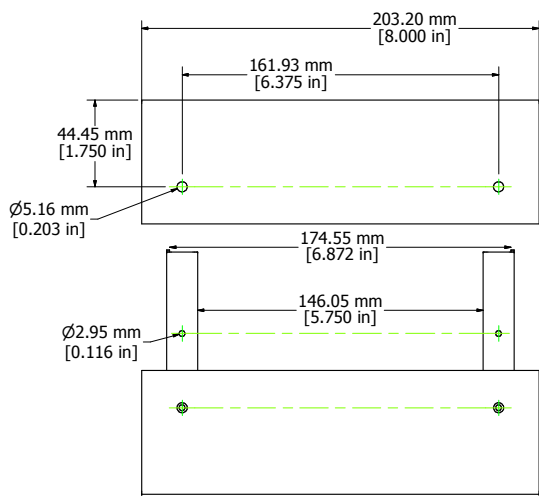
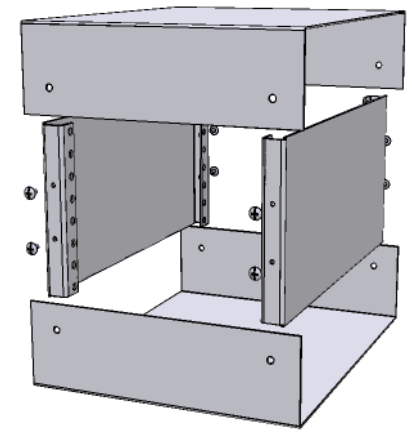


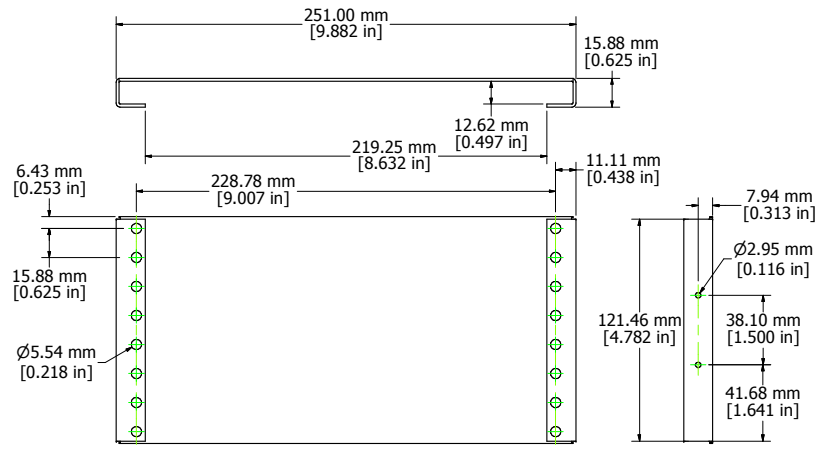
ASSEMBLY - END VIEW (OPEN)



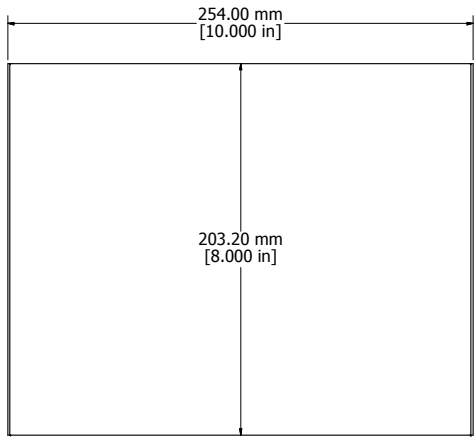
ASSEMBLY - SIDE VIEW (OPEN)



Enclosures can be Factory Modified (Milling, Drilling, Printing etc.)
 Contact Factory mjm@hammondmfg.com for quotes
 Solid models of this enclosure available in STEP or IGES.



END PLATES



BOTTOM/TOP ENCLOSURE

| 1458G5 | |
|---|------------------|
| Top/Bottom - 20 ga. Steel | |
| Powder Coated Black RAL 9011 - 1458G5 | |
| Powder Coated Gulf Blue RAL 5021 - 1458G5B | |
| Front/Rear Panels - .064 Aluminum | |
| 1- Black RAL 9011 | 1- Grey RAL 7032 |
| 8 Screws Self Tapping 632 Philips Nickel Plated | |
| 4 Self Adhesive Rubber Feet Included | |
| Replacement Screws - 1421-J6 (6 pcs.) | |



**HAMMOND
 MANUFACTURING™**

1458G5

www.hammondmfg.com