

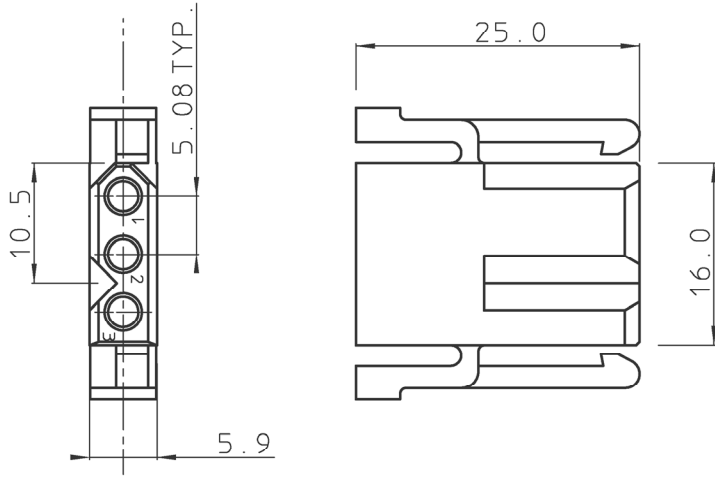
DIT IS ONZE EIGENDOM EN MAG NOCH NAGEMAAKT, HERDRUKT, OVERGEMAAKT AAN DERDEN, NOCH VOOR FABRIKATIE GEBRUIKT WORDEN, ZONDER ONZE SCHRIFTELIJKE TOELATING. BIJ NIET GEBRUIK IS DE TERUGZENDING VERPLICHT.

THIS IS OUR EXCLUSIVE PROPERTY. IT IS NOT TO BE COPIED, REPRINTED OR DISCLOSED TO A THIRD PARTY, NOR USED FOR MANUFACTURING WITHOUT OUR WRITTEN CONSENT, AND HAS TO BE RETURNED TO US IN CASE OF NO USAGE.

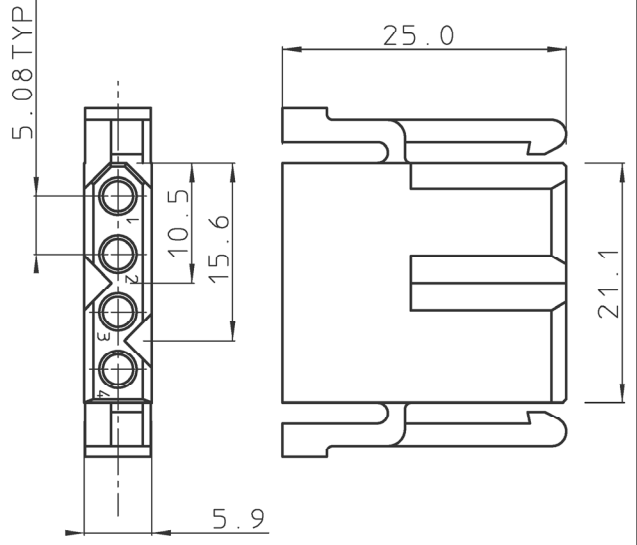
BS, A , 200405, 001, 01

REV.	DATE	DESCRIPTION	BY	C'K'D'
01	12-02-96	CONVERSION ME10	NIETVELT	

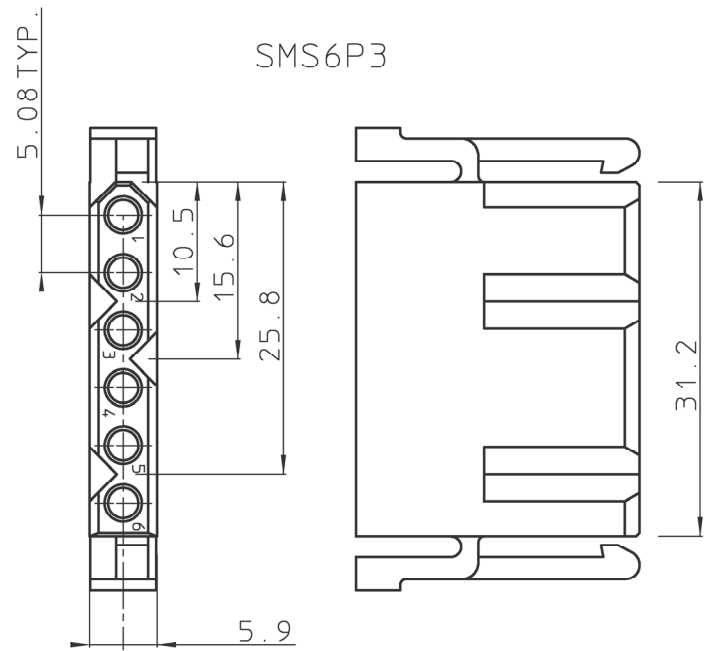
SMS3P3



SMS4P3



SMS6P3



MATERIAL :

BODY : POLYAMIDE 6.6 UL94V2 ; COLOUR : BLACK OR UL94V0 ; COLOUR : OCHRE.

PERFORMANCE CHARACTERISTICS :

OPERATING TEMPERATURE : -55°C TO +105°C
 INSULATING RESISTANCE : 5000M Ω MIN.
 TEST POTENTIAL : 2000 VAC

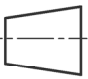

NOTES :

- CONNECTOR ACCEPTS #16 STRIP FORMED, MACHINED AND SUBMINIATURE COAXIAL PIN AND SOCKET CONTACTS.
- CONTACTS TO BE ORDERED SEPARATELY : REFER TO DATA SHEETS 2-110, 2-111, 2-112, 2-113, 2-114.

GEN. ST.	01	02	03	04	05	06	07	08	0D	50	60	70	80	90																	
INT. ST.	10	11	12	13	14	18	20	31	32	33	34	38	39	40	42	43	44	45	46	48	56	70	72	73	75	76	81	82	83	84	88

1DEC $\pm 0,2$ 1DEC
 2DEC $\pm 0,1$ 2DEC
 ANGLES $\pm 1^\circ$ HOEKEN

WE RESERVE THE RIGHT TO CHANGE DIMENSIONS OR REQUIREMENTS WITHOUT PRIOR NOTICE.

ALL DIMENSIONS IN MM

 ALLE AFMETINGEN IN MM


APPR.	DATE	SIGN.
DRAFT	30.06.86	E. CREELLE
CHECKED		
PROD. MGR.		
PR. ENG. MGR.		
PR. MGT. MGR.		

REFERENCES / REFERENTIES

QIKMATE IN-LINE PINHEADER PLUG

CAT. No. SMS-P3


SOURIAU
 Connection Technology

SOURIAU
 Route Nationale 23
 72470 CHAMPAGNE

SCALE
 1.5 / 1

BS, A , 200405, 001, 01
 DRAWING NR. CUSTOMER DRAWING

NOT EXPORT CONTROLLED