

**Description:** Outdoor, dual WiFi, swivel, IP67, with RP-SMA

**Series:** Stick Antenna

**PART NUMBER:** W5098

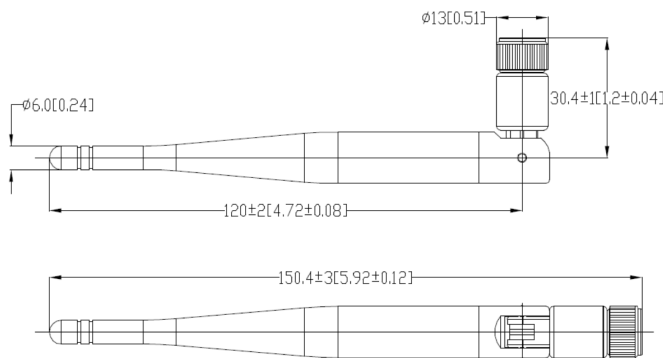


**Features:**

- Dual band Wifi stick antenna
- 2.4-2.5 / 5.0-5.85 GHz
- Omni directional for 360° coverage horizontal plane
- RoHS Compliant
- Gain 2.5 / 4 dBi
- IP67
- RP - SMA Swivel connector

**Applications:**

- Used in conjunction with WLAN devices using WiFi (802.11a/b/g), Bluetooth and ZigBee
- In-building wireless access points (AP)
- Replacements for wireless routers
- Economical solution for OEMs with dual-band wireless devices.



All dimensions are in mm / inches

Issue: 1737

In the effort to improve our products, we reserve the right to make changes judged to be necessary.

CONFIDENTIAL AND PROPRIETARY INFORMATION

This document contains confidential and proprietary information of Pulse Electronics, Inc. (Pulse) and is protected by copyright, trade secret and other state and federal laws. Its receipt or possession does not convey any rights to reproduce, disclose its contents, or to manufacture, use or sell anything it may describe. Reproduction, disclosure or use without specific written authorization of Pulse is strictly forbidden.

For more information:

Pulse Worldwide Headquarters  
15255 Innovation Drive #100  
San Diego, CA 92128  
USA  
Tel: 1-858-674-8100

Pulse/Larsen Antennas  
18110 SE 34<sup>th</sup> St Bldg 2 Suite 250  
Vancouver, WA 98683  
USA  
Tel: 1-360-944-7551

Europe Headquarters  
Pulse GmbH & Do, KG  
Zeppelinstrasse 15  
Herrenberg, Germany  
Tel: 49 7032 7806 0

Pulse (Suzhou) Wireless Products Co, Inc.  
99 Huo Ju Road(#29 Bldg,4<sup>th</sup> Phase  
Suzhou New District  
Jiangsu Province, Suzhou 215009 PR China  
Tel: 86 512 6807 9998

**Description:** Outdoor, dual WiFi, swivel, IP67,  
with RP-SMA

**Series:** Stick Antenna

**PART NUMBER:** W5098

## ELECTRICAL SPECIFICATIONS

Frequency	2400-2500MHz & 5150-5850MHz
Nominal Impedance	50Ω
VSWR	2.0 Max
Peak Gain (2400-2500MHz)	2.5dBi
Peak Gain (5150-5850MHz)	4dBi
Average efficiency(2400-2500MHz)	65%
Average efficiency(5150-5850MHz)	71%
Polarization:	linear

Issue: 1737

In the effort to improve our products, we reserve the right to make changes judged to be necessary.

CONFIDENTIAL AND PROPRIETARY INFORMATION

This document contains confidential and proprietary information of Pulse Electronics, Inc. (Pulse) and is protected by copyright, trade secret and other state and federal laws. Its receipt or possession does not convey any rights to reproduce, disclose its contents, or to manufacture, use or sell anything it may describe. Reproduction, disclosure or use without specific written authorization of Pulse is strictly forbidden.

**Description:** Outdoor, dual WiFi, swivel, IP67,  
with RP-SMA

**Series:** Stick Antenna

**PART NUMBER:** W5098

### MECHANICAL SPECIFICATIONS

Antenna body	TPEE
Color	Black
Ingress Protection	IP67
Weight	17.3 g
Overall Length	5.92 INCHES
Connector type	RP-SMA

### ENVIRONMENTAL SPECIFICATIONS

Operating temperature	-40/+85 ° C
-----------------------	-------------

Issue: 1737

In the effort to improve our products, we reserve the right to make changes judged to be necessary.

CONFIDENTIAL AND PROPRIETARY INFORMATION

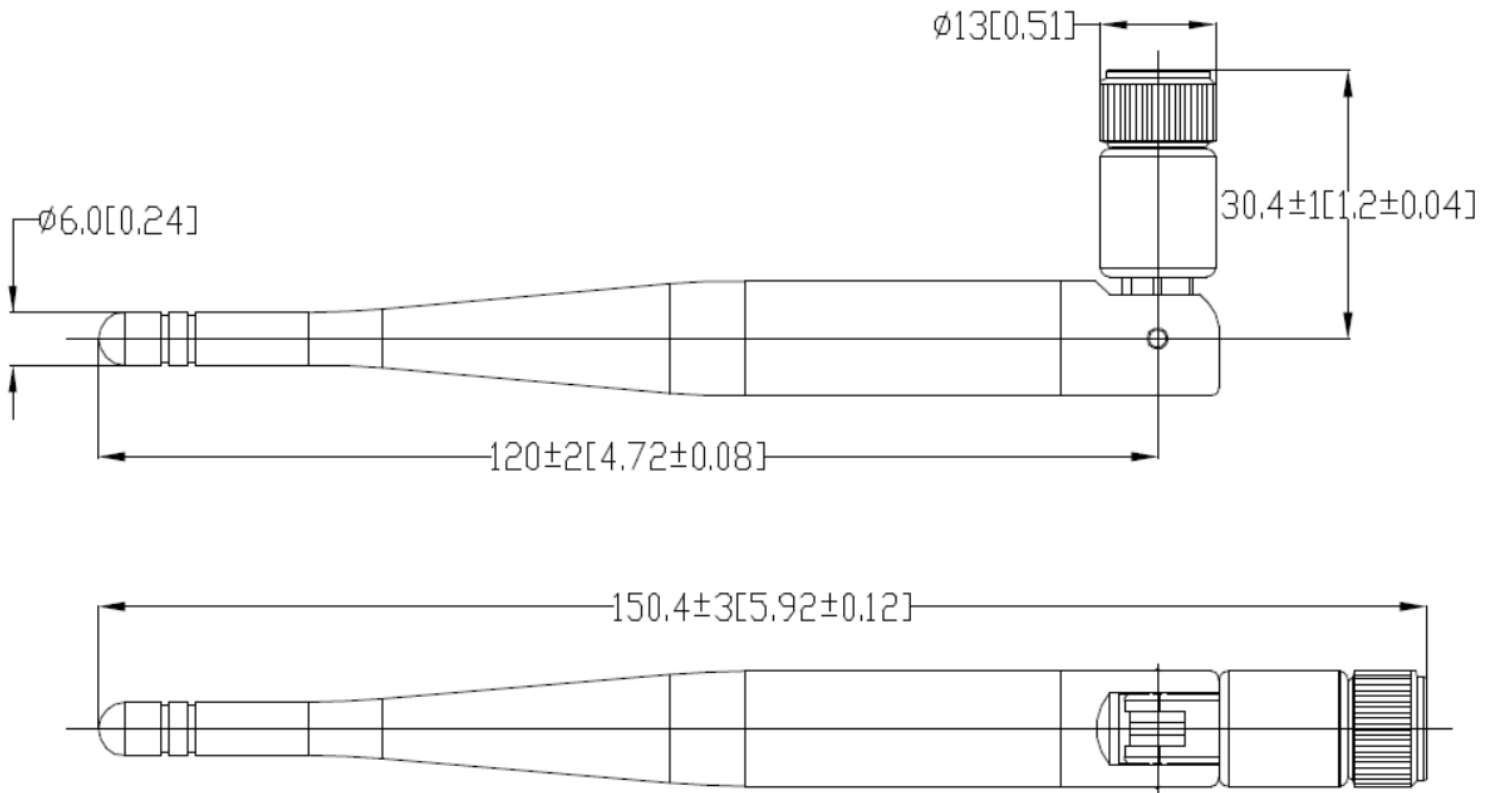
This document contains confidential and proprietary information of Pulse Electronics, Inc. (Pulse) and is protected by copyright, trade secret and other state and federal laws. Its receipt or possession does not convey any rights to reproduce, disclose its contents, or to manufacture, use or sell anything it may describe. Reproduction, disclosure or use without specific written authorization of Pulse is strictly forbidden.

**Description:** Outdoor, dual WiFi, swivel, IP67,  
with RP-SMA

**Series:** Stick Antenna

**PART NUMBER:** W5098

**MECHANICAL DRAWING**



Issue: 1737

In the effort to improve our products, we reserve the right to make changes judged to be necessary.

CONFIDENTIAL AND PROPRIETARY INFORMATION

This document contains confidential and proprietary information of Pulse Electronics, Inc. (Pulse) and is protected by copyright, trade secret and other state and federal laws. Its receipt or possession does not convey any rights to reproduce, disclose its contents, or to manufacture, use or sell anything it may describe. Reproduction, disclosure or use without specific written authorization of Pulse is strictly forbidden.

**Description:** Outdoor, dual WiFi, swivel, IP67, with RP-SMA

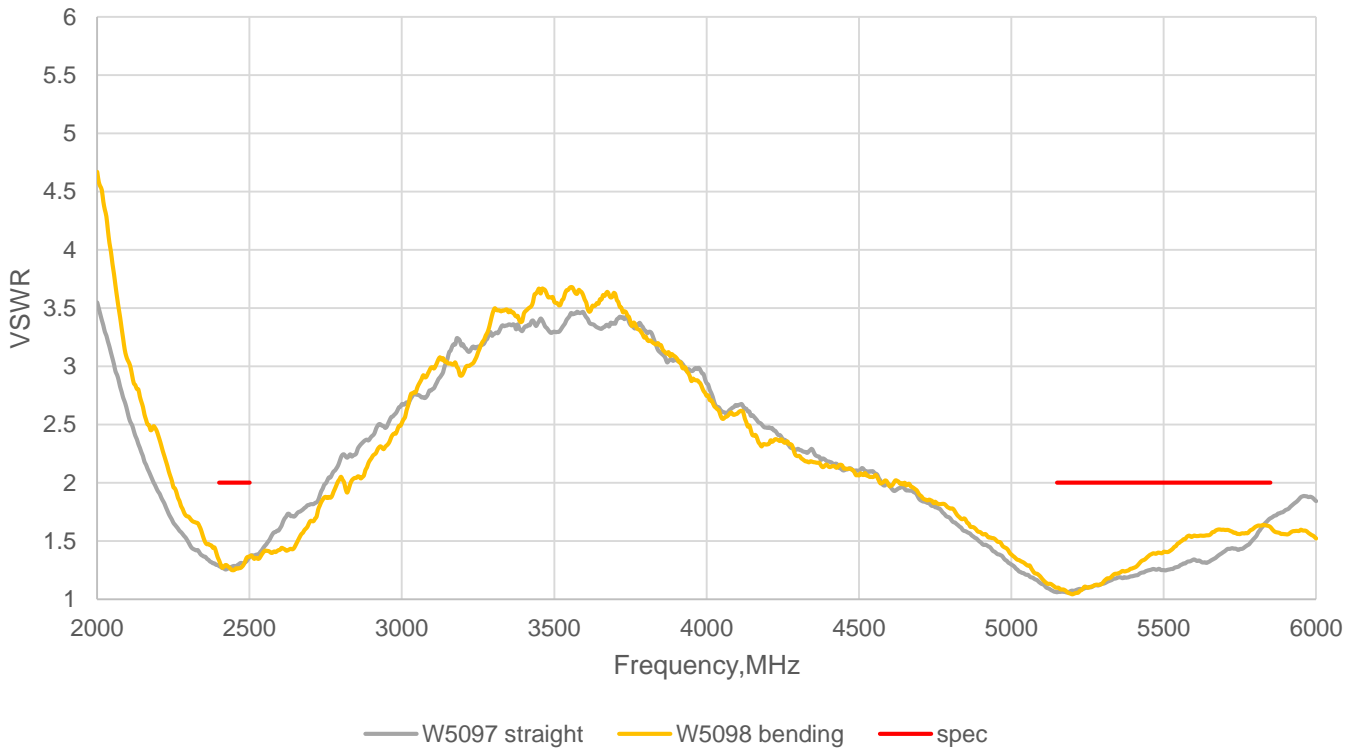
**Series:** Stick Antenna

**PART NUMBER:** W5098

CHARTS

VSWR measured in free space

VSWR vs Frequency  
W5098 measured in PSU, May 5, 2016



Issue: 1737

In the effort to improve our products, we reserve the right to make changes judged to be necessary.

CONFIDENTIAL AND PROPRIETARY INFORMATION

This document contains confidential and proprietary information of Pulse Electronics, Inc. (Pulse) and is protected by copyright, trade secret and other state and federal laws. Its receipt or possession does not convey any rights to reproduce, disclose its contents, or to manufacture, use or sell anything it may describe. Reproduction, disclosure or use without specific written authorization of Pulse is strictly forbidden.

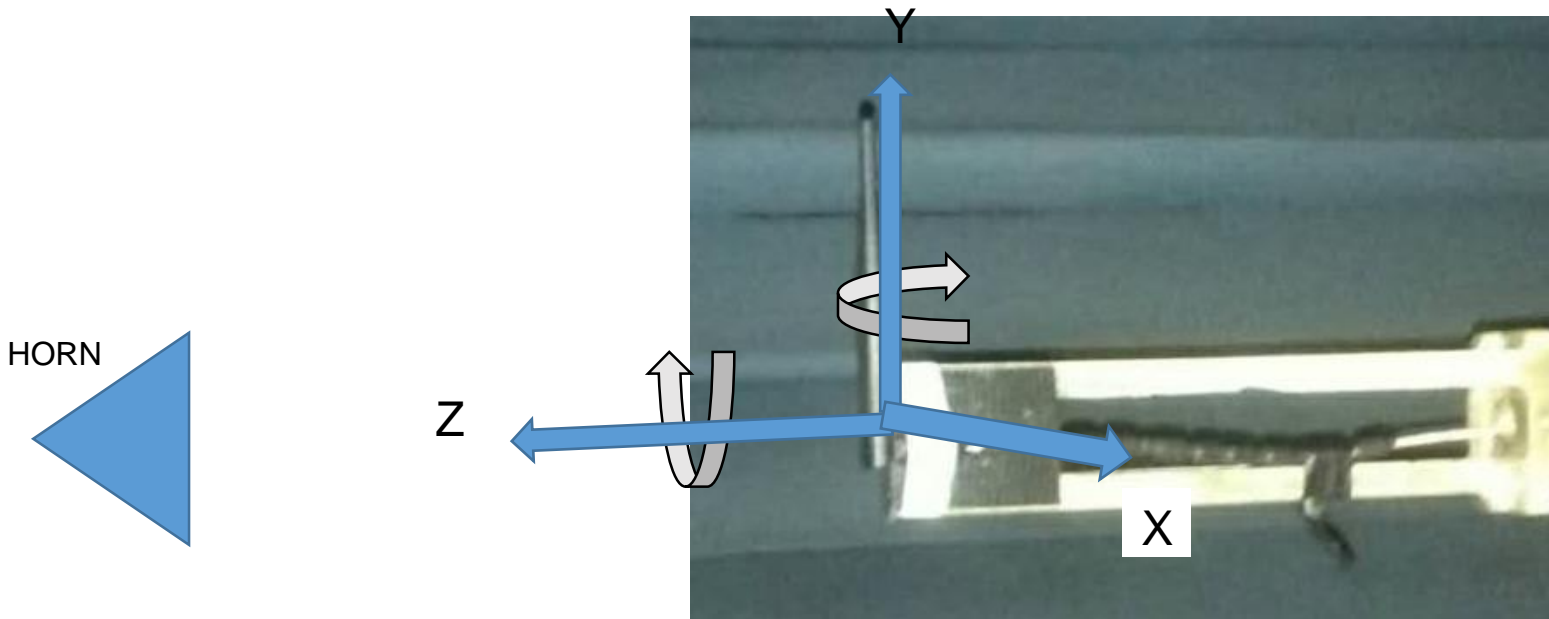
**Description:** Outdoor, dual WiFi, swivel, IP67,  
with RP-SMA

**Series:** Stick Antenna

**PART NUMBER:** W5098

**CHARTS**

Chamber set up



Issue: 1737

In the effort to improve our products, we reserve the right to make changes judged to be necessary.

CONFIDENTIAL AND PROPRIETARY INFORMATION

This document contains confidential and proprietary information of Pulse Electronics, Inc. (Pulse) and is protected by copyright, trade secret and other state and federal laws. Its receipt or possession does not convey any rights to reproduce, disclose its contents, or to manufacture, use or sell anything it may describe. Reproduction, disclosure or use without specific written authorization of Pulse is strictly forbidden.

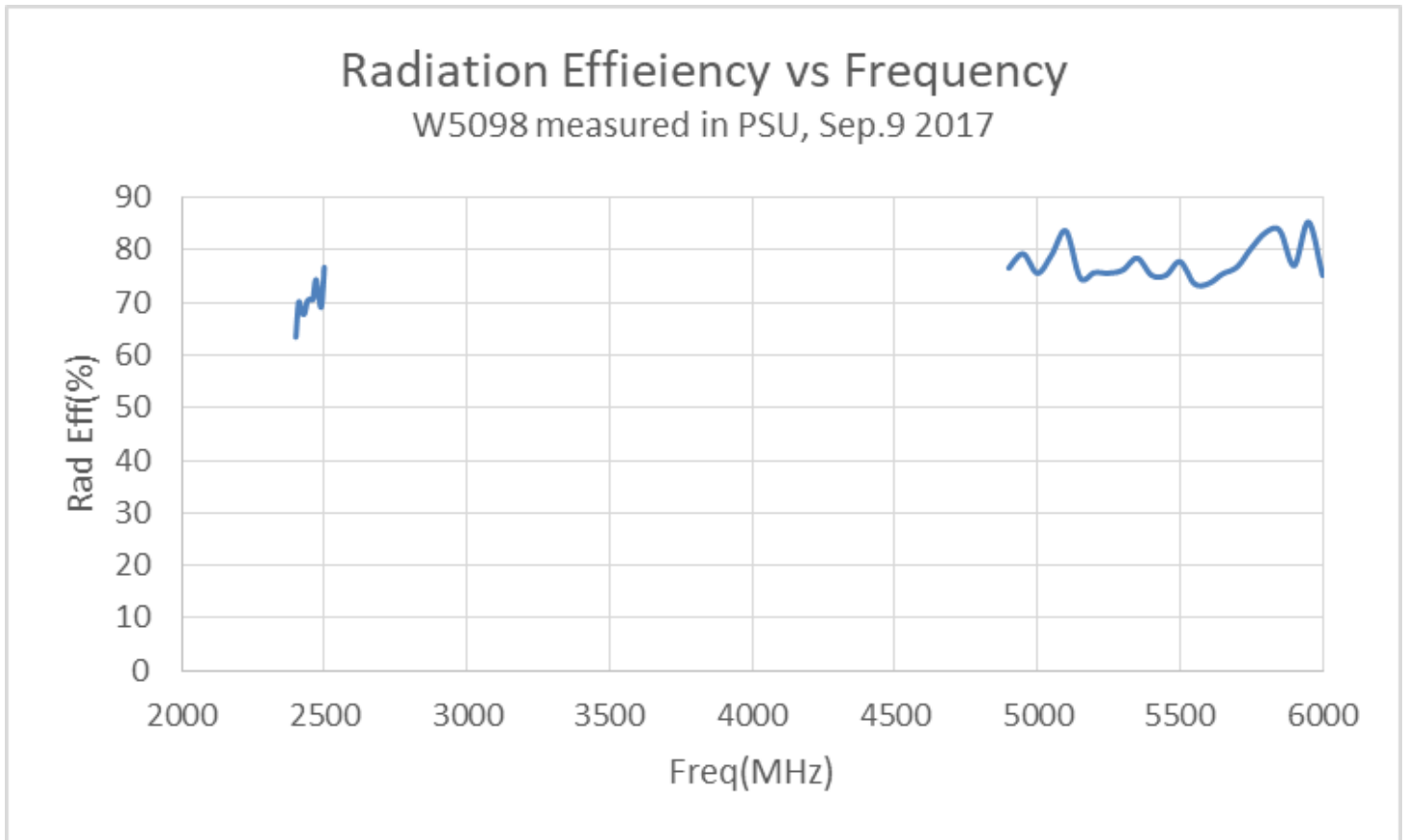
**Description:** Outdoor, dual WiFi, swivel, IP67,  
with RP-SMA

**Series:** Stick Antenna

**PART NUMBER:** W5098

CHARTS

Efficiency measured in free space right angle



Issue: 1737

In the effort to improve our products, we reserve the right to make changes judged to be necessary.

CONFIDENTIAL AND PROPRIETARY INFORMATION

This document contains confidential and proprietary information of Pulse Electronics, Inc. (Pulse) and is protected by copyright, trade secret and other state and federal laws. Its receipt or possession does not convey any rights to reproduce, disclose its contents, or to manufacture, use or sell anything it may describe. Reproduction, disclosure or use without specific written authorization of Pulse is strictly forbidden.

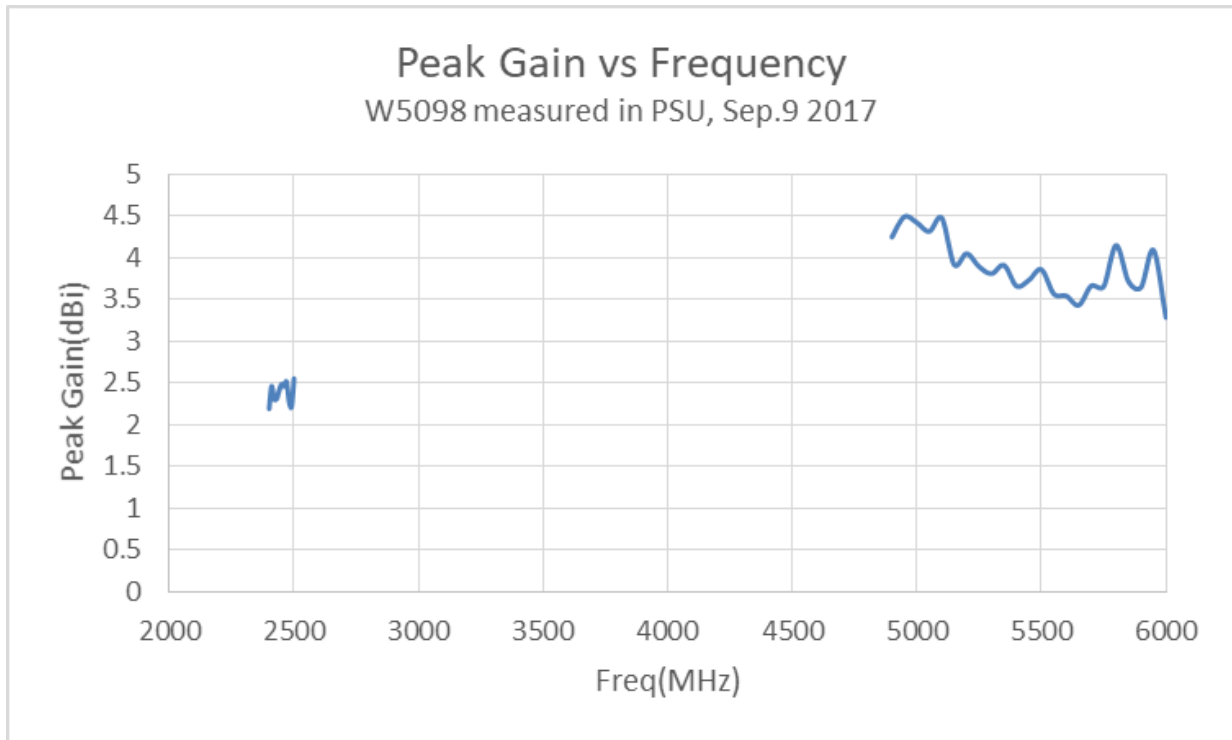
**Description:** Outdoor, dual WiFi, swivel, IP67, with RP-SMA

**Series:** Stick Antenna

**PART NUMBER:** W5098

**CHARTS**

Peak Gain measured in free space right angle



Issue: 1737

In the effort to improve our products, we reserve the right to make changes judged to be necessary.

CONFIDENTIAL AND PROPRIETARY INFORMATION

This document contains confidential and proprietary information of Pulse Electronics, Inc. (Pulse) and is protected by copyright, trade secret and other state and federal laws. Its receipt or possession does not convey any rights to reproduce, disclose its contents, or to manufacture, use or sell anything it may describe. Reproduction, disclosure or use without specific written authorization of Pulse is strictly forbidden.





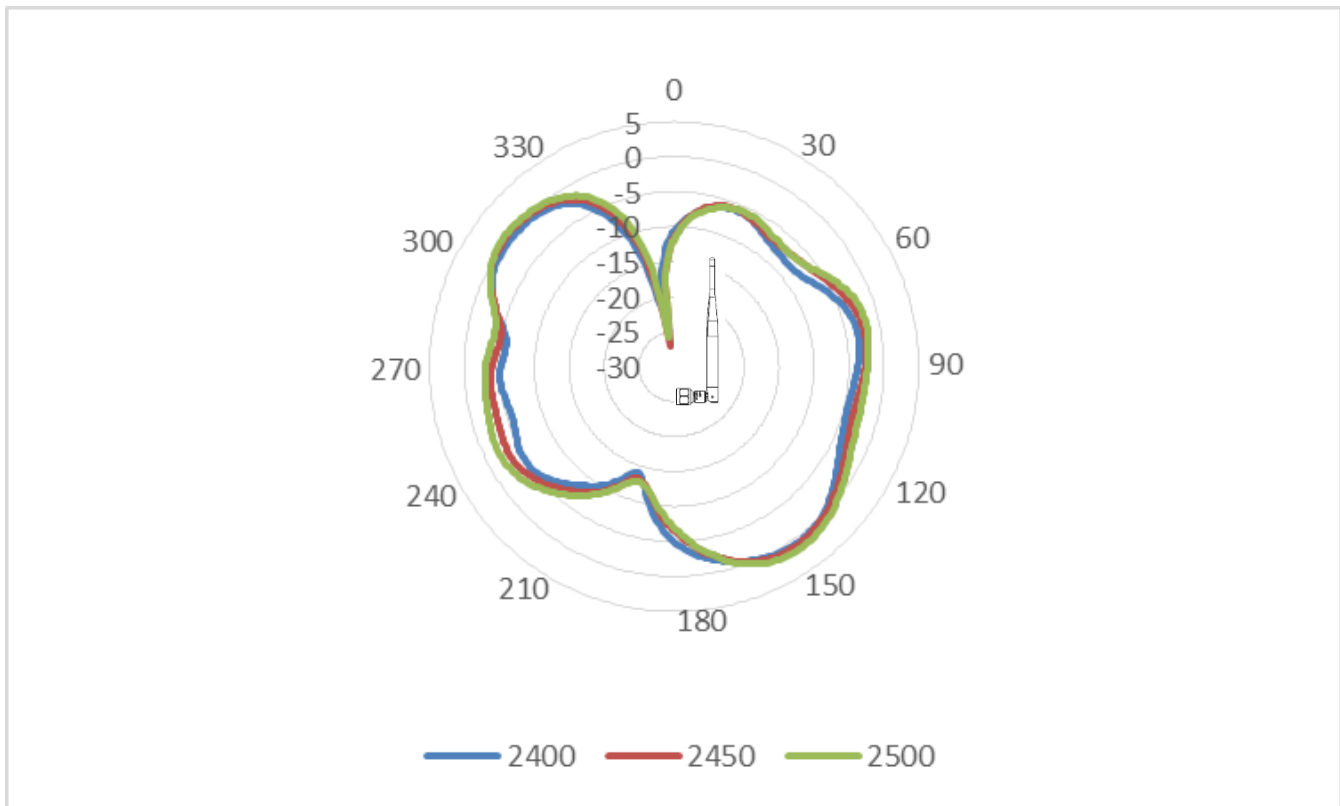
**Description:** Outdoor, dual WiFi, swivel, IP67, with RP-SMA

**Series:** Stick Antenna

**PART NUMBER:** W5098

**CHARTS**

Vertical Plane Gain plots\_right angel at 2.4GHz band



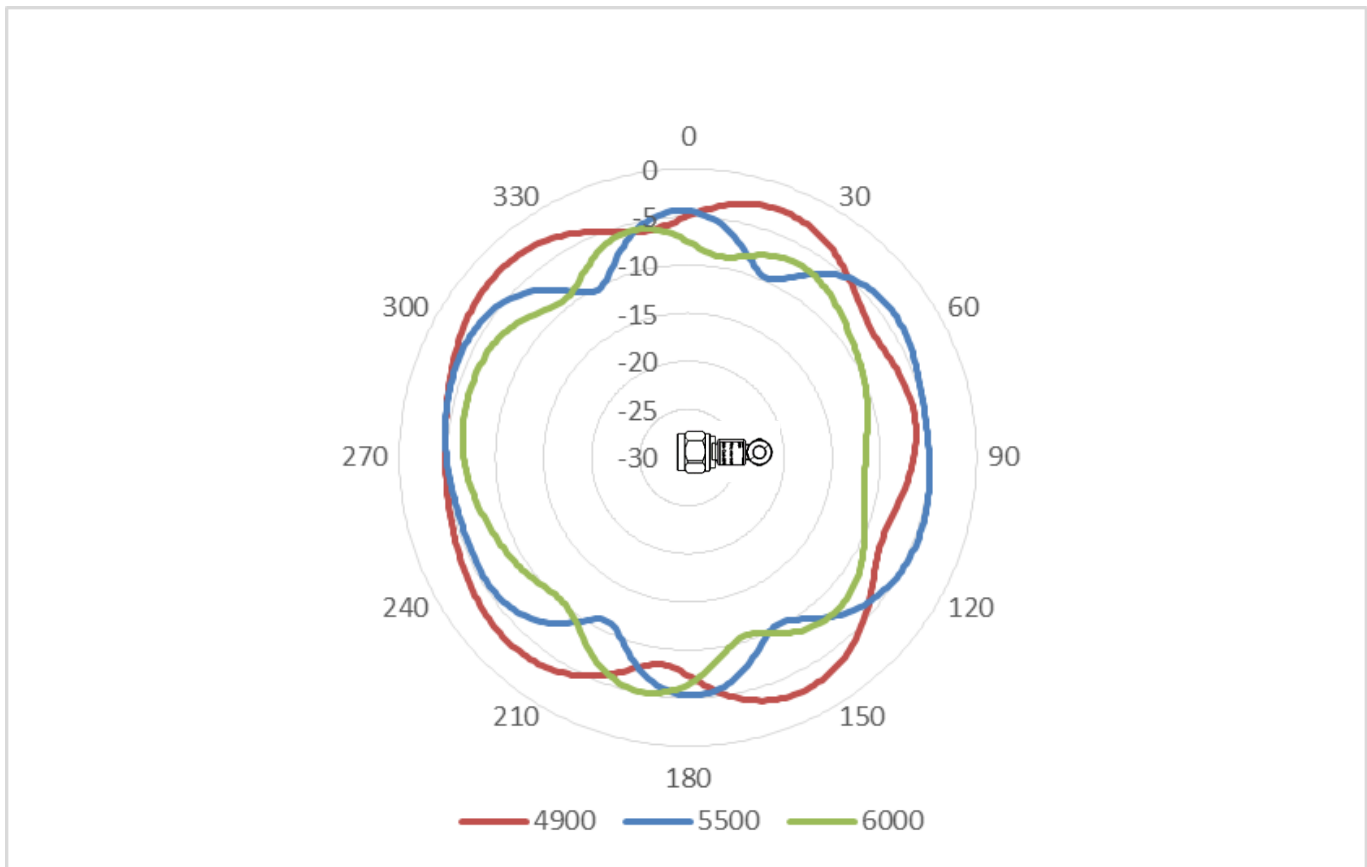
**Description:** Outdoor, dual WiFi, swivel, IP67, with RP-SMA

**Series:** Stick Antenna

**PART NUMBER:** W5098

**CHARTS**

Horizontal Plane Gain plots\_right angle at 5GHz band



Issue: 1737

In the effort to improve our products, we reserve the right to make changes judged to be necessary.

CONFIDENTIAL AND PROPRIETARY INFORMATION

This document contains confidential and proprietary information of Pulse Electronics, Inc. (Pulse) and is protected by copyright, trade secret and other state and federal laws. Its receipt or possession does not convey any rights to reproduce, disclose its contents, or to manufacture, use or sell anything it may describe. Reproduction, disclosure or use without specific written authorization of Pulse is strictly forbidden.

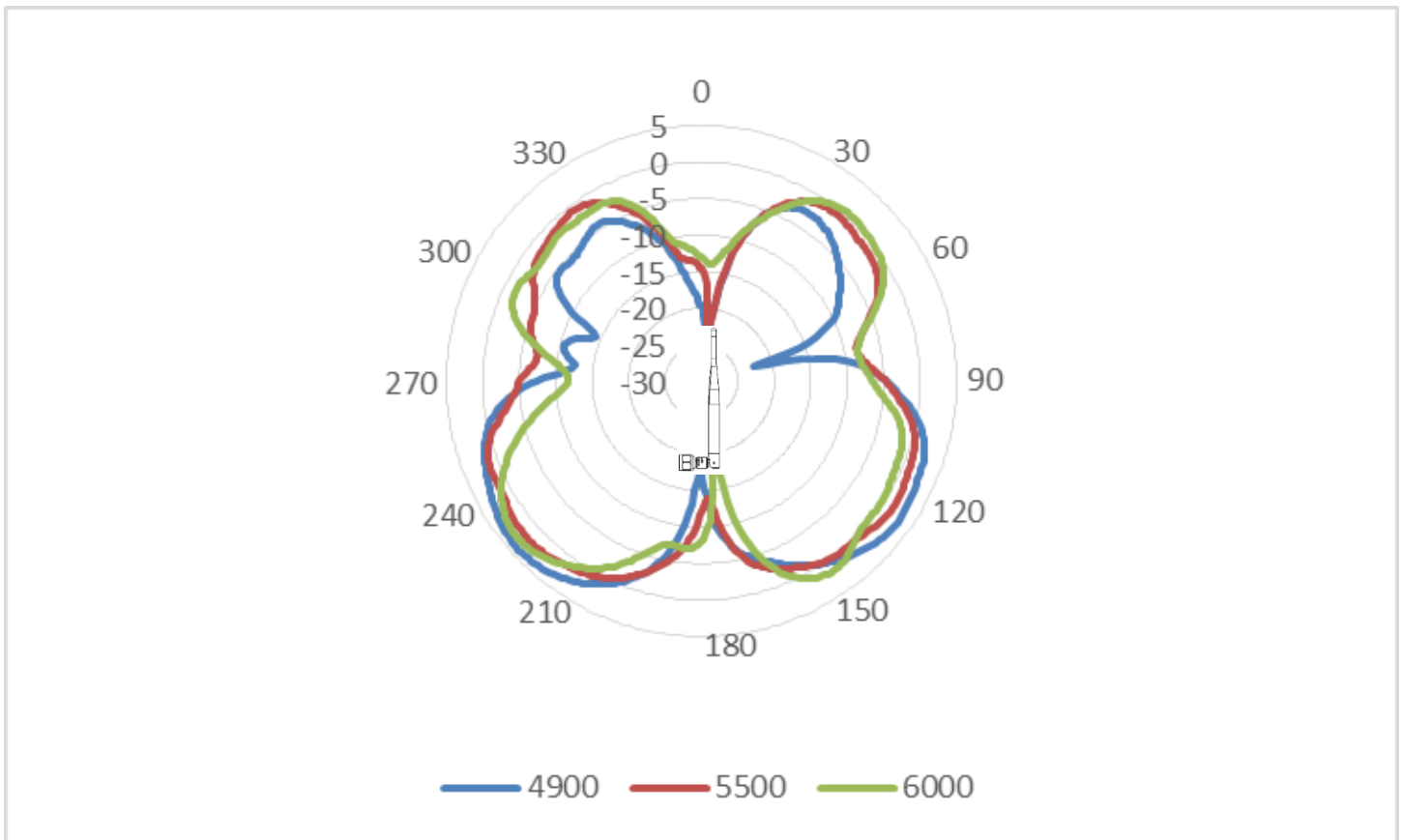
**Description:** Outdoor, dual WiFi, swivel, IP67, with RP-SMA

**Series:** Stick Antenna

**PART NUMBER:** W5098

**CHARTS**

Vertical Plane Gain plots\_right angel at 5GHz band



Issue: 1737

In the effort to improve our products, we reserve the right to make changes judged to be necessary.

CONFIDENTIAL AND PROPRIETARY INFORMATION

This document contains confidential and proprietary information of Pulse Electronics, Inc. (Pulse) and is protected by copyright, trade secret and other state and federal laws. Its receipt or possession does not convey any rights to reproduce, disclose its contents, or to manufacture, use or sell anything it may describe. Reproduction, disclosure or use without specific written authorization of Pulse is strictly forbidden.

**Description:** Outdoor, dual WiFi, swivel, IP67,  
with RP-SMA

**Series:** Stick Antenna

**PART NUMBER:** W5098

## PACKAGING

10PCS/Bullet PE bag  
500PCS/Carton Box

Issue: 1737

In the effort to improve our products, we reserve the right to make changes judged to be necessary.

CONFIDENTIAL AND PROPRIETARY INFORMATION

This document contains confidential and proprietary information of Pulse Electronics, Inc. (Pulse) and is protected by copyright, trade secret and other state and federal laws. Its receipt or possession does not convey any rights to reproduce, disclose its contents, or to manufacture, use or sell anything it may describe. Reproduction, disclosure or use without specific written authorization of Pulse is strictly forbidden.