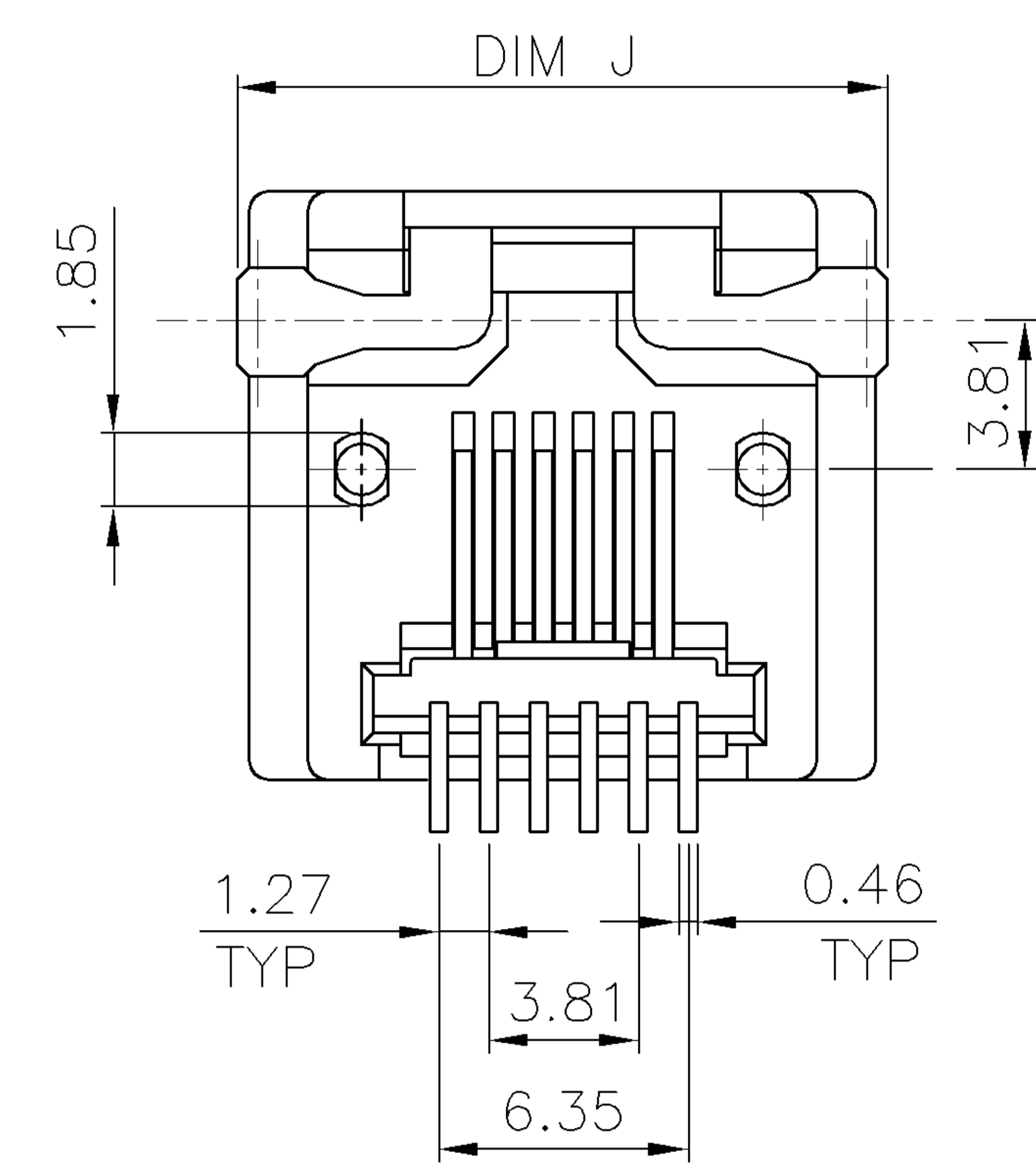
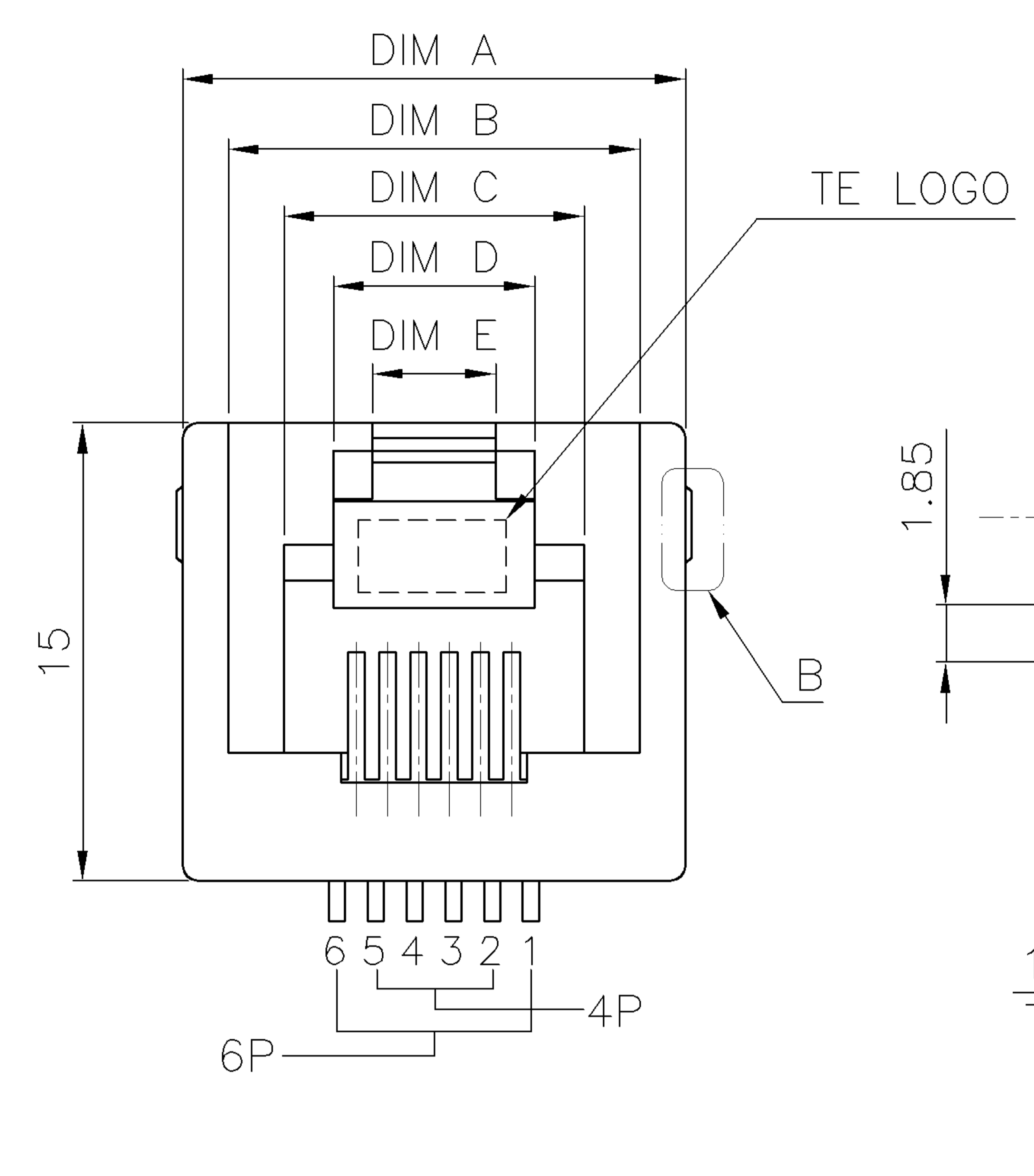
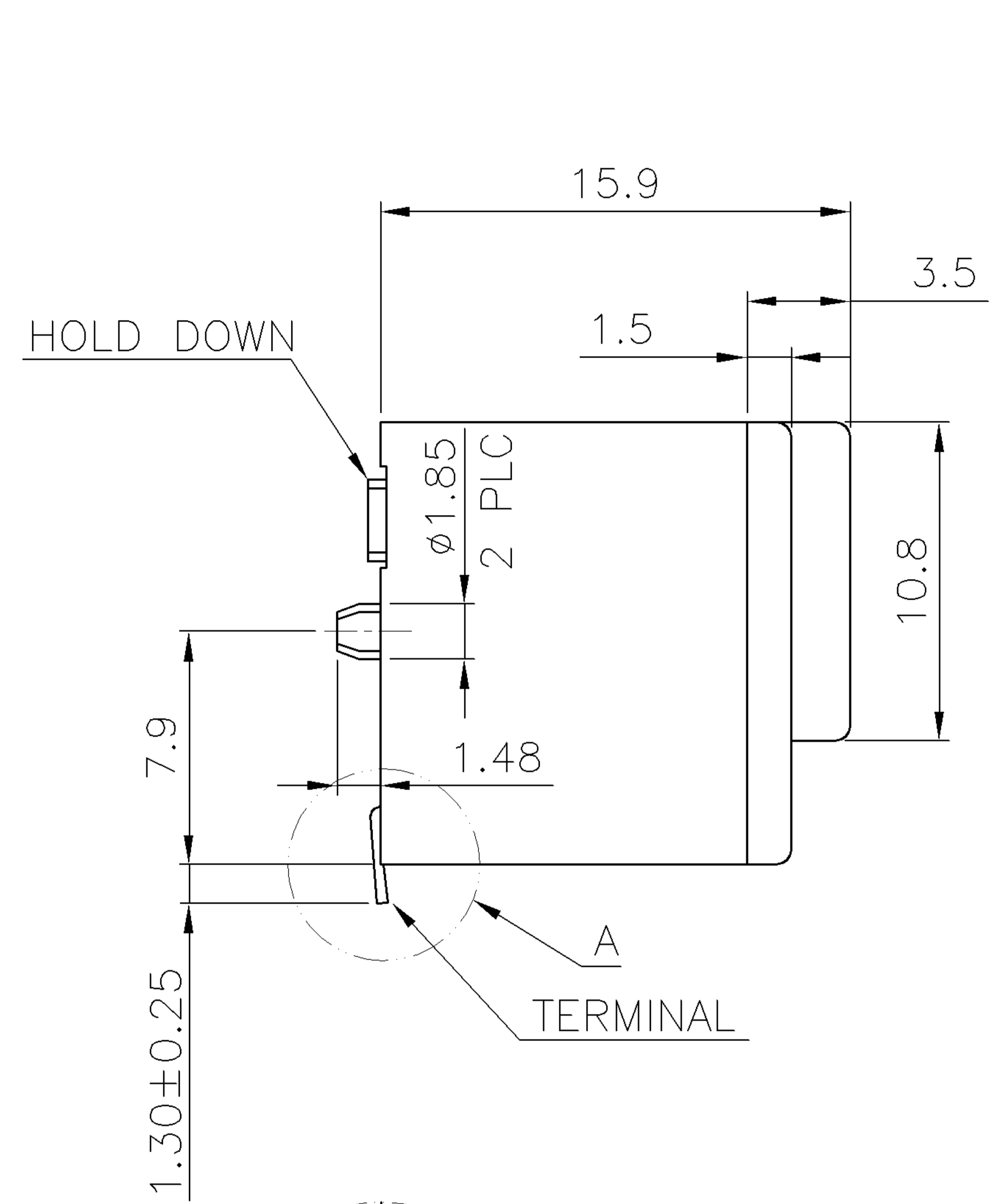
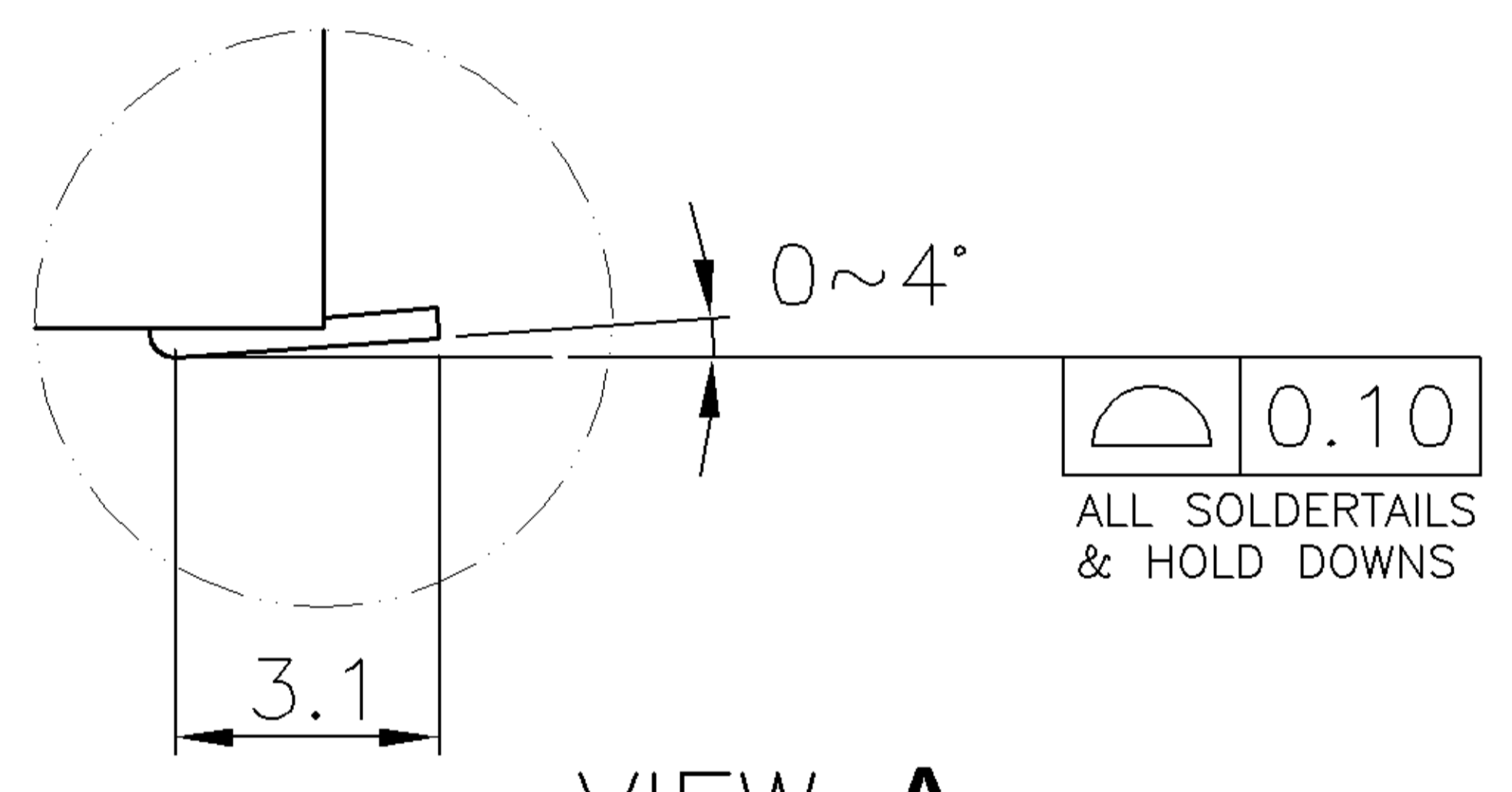
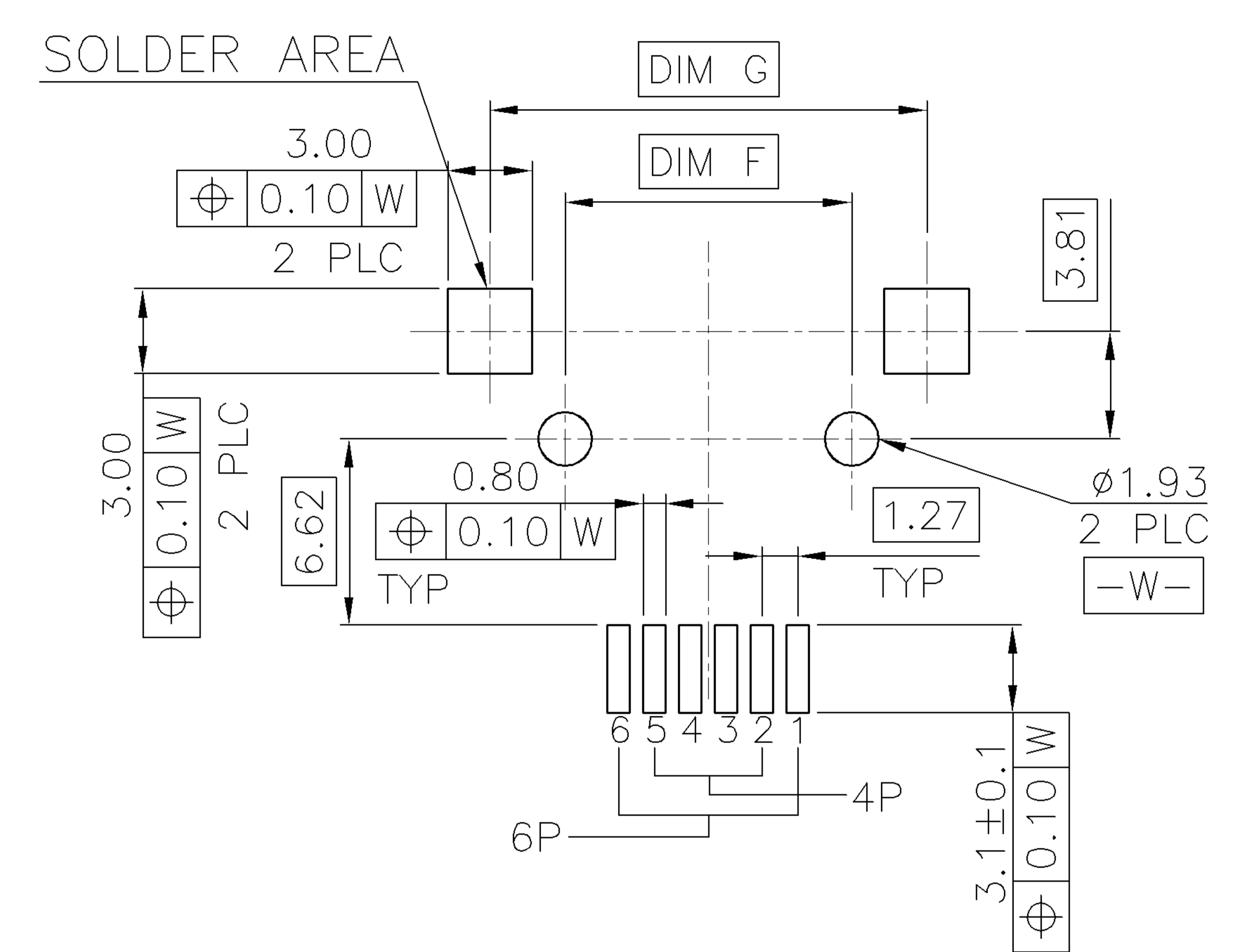


THIS DRAWING IS UNPUBLISHED. RELEASED FOR PUBLICATION
 © COPYRIGHT - ALL RIGHTS RESERVED.

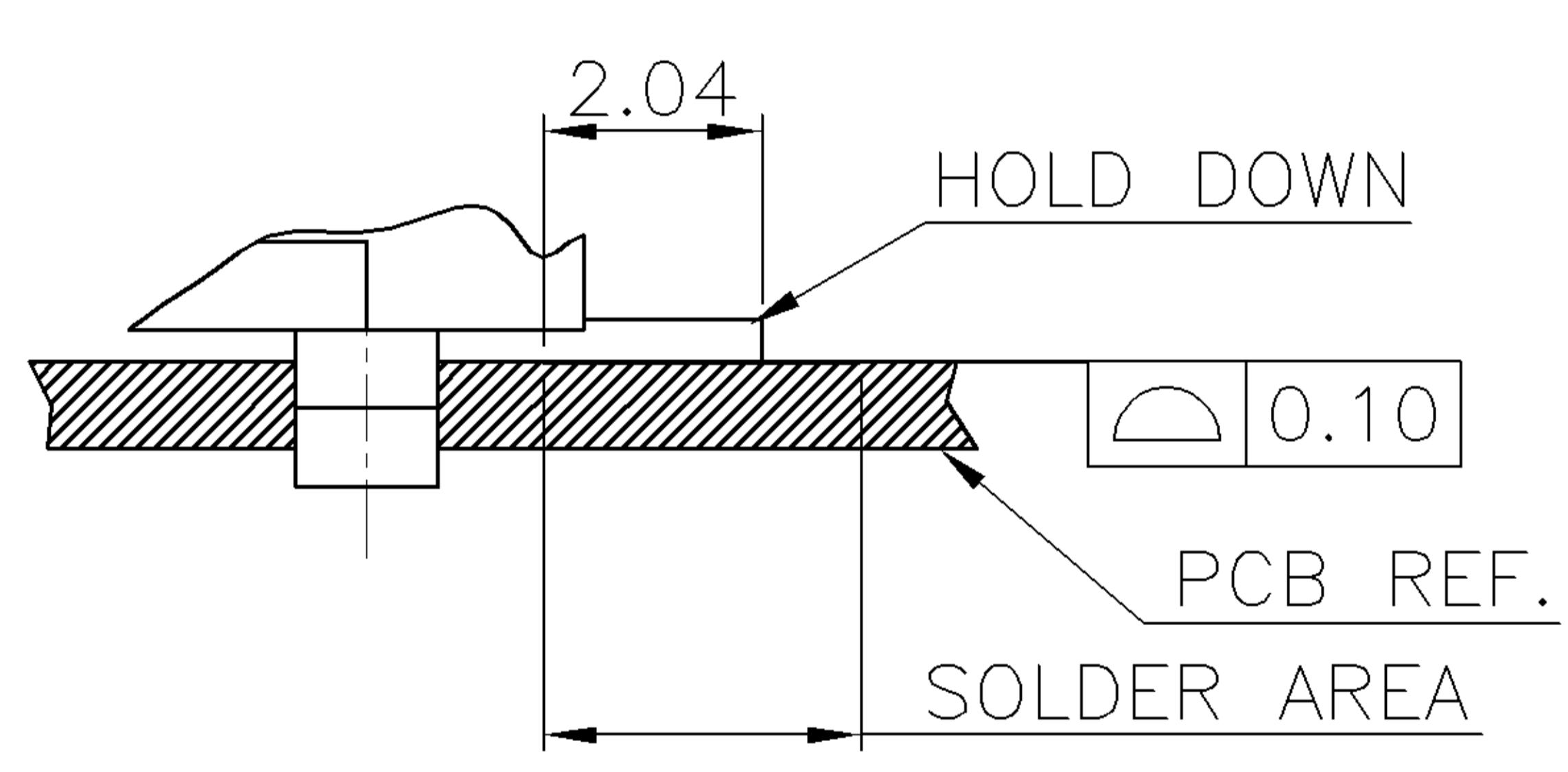
LOC	DIST	REVISIONS					
DW	-	P	LTR	DESCRIPTION	DATE	DWN	APVD
		A2		REVISED PER ECO-11-005140	31MAR11	RK	HMR



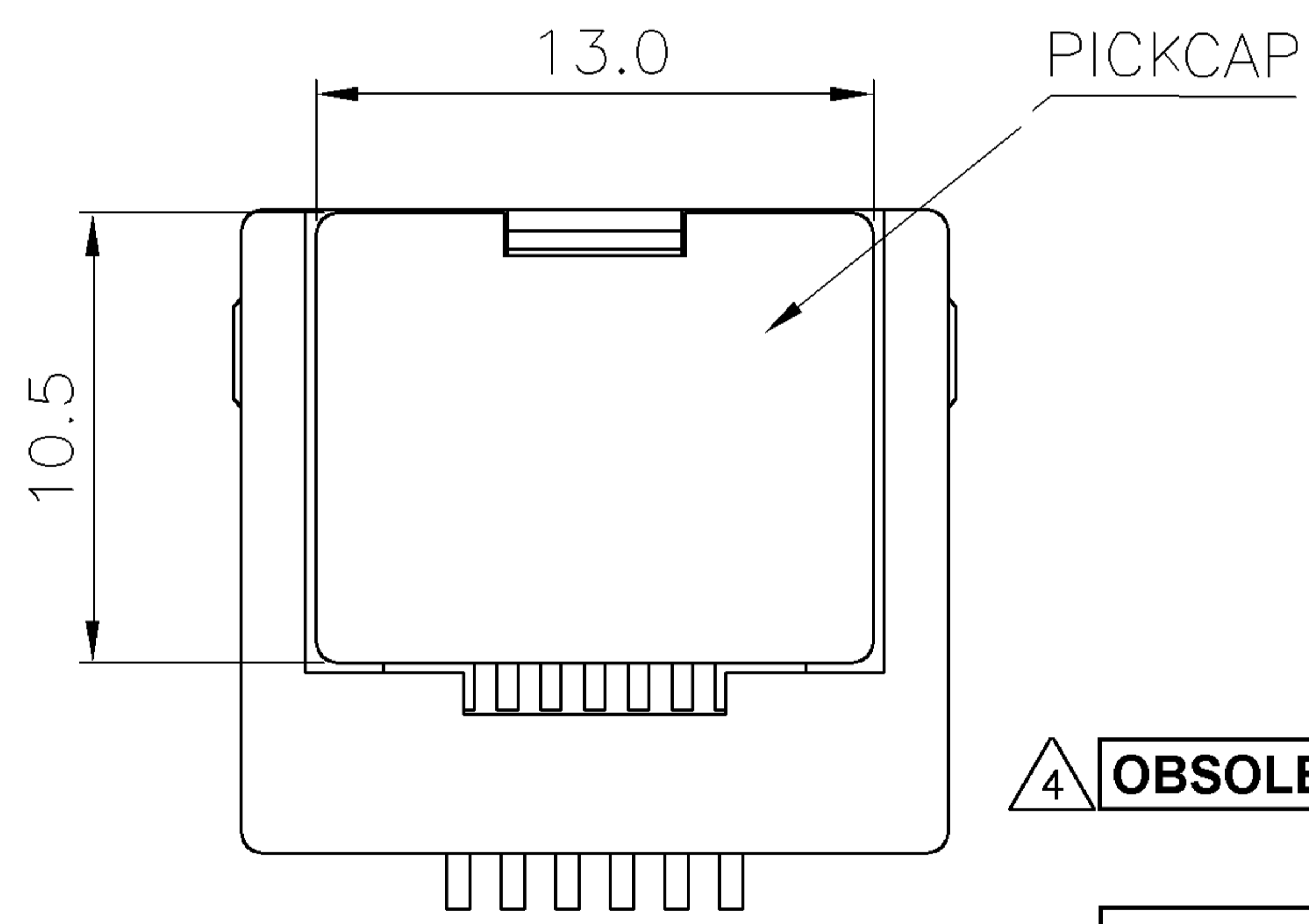
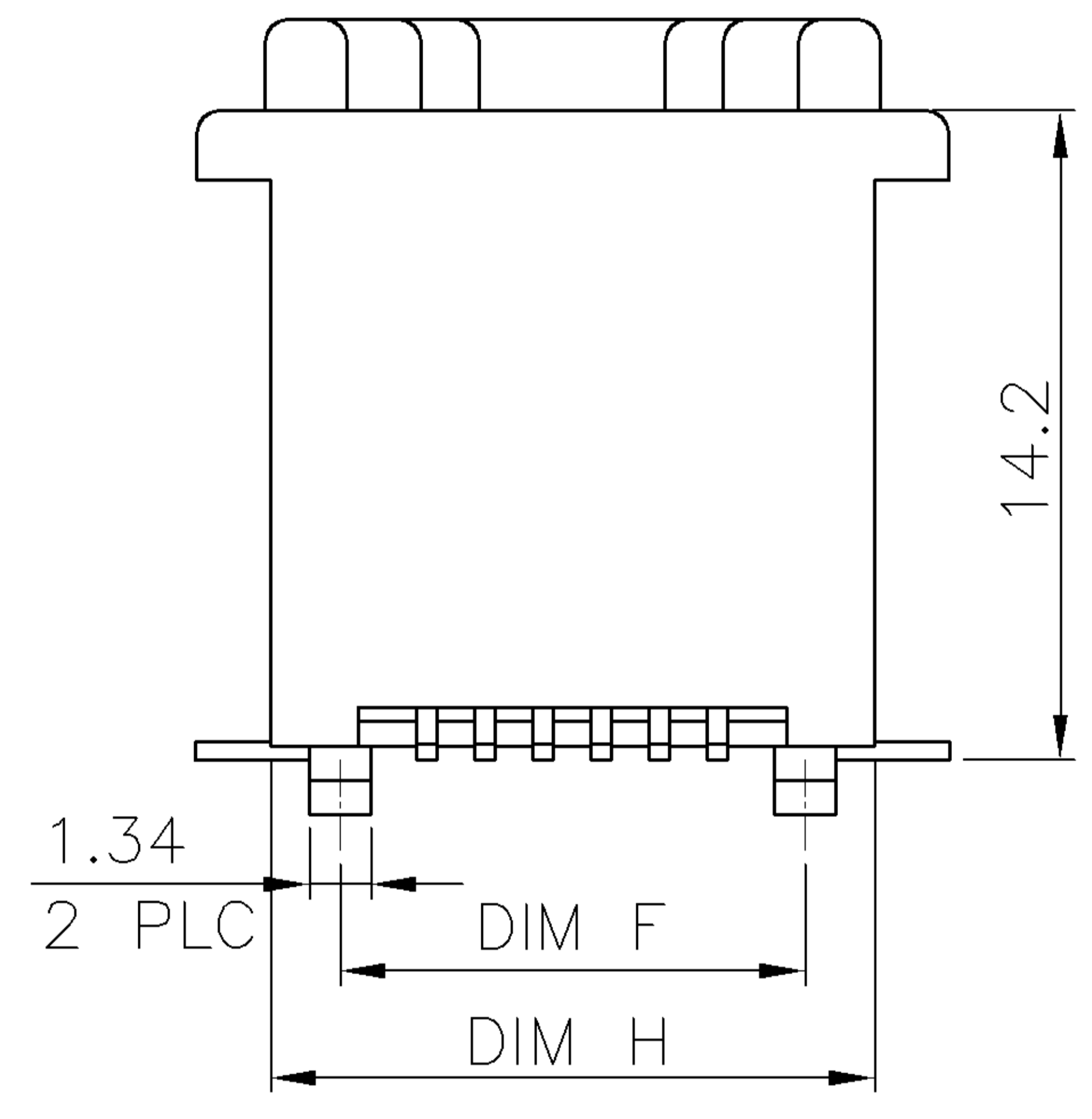
BOTTOM VIEW



VIEW A



VIEW B



TOP VIEW

4 OBSOLETE

4 OBSOLETE

WITH	50μ"	1-1734858-8
	30μ"	1-1734858-7
WITHOUT	15μ"	1-1734858-6
	6μ"	1-1734858-5
	50μ"	1-1734858-4
	30μ"	1-1734858-3
WITHOUT	15μ"	1-1734858-2
	6μ"	1-1734858-1
	50μ"	1-1734858-4
WITHOUT	30μ"	1-1734858-3
	15μ"	1-1734858-2
	6μ"	1-1734858-1

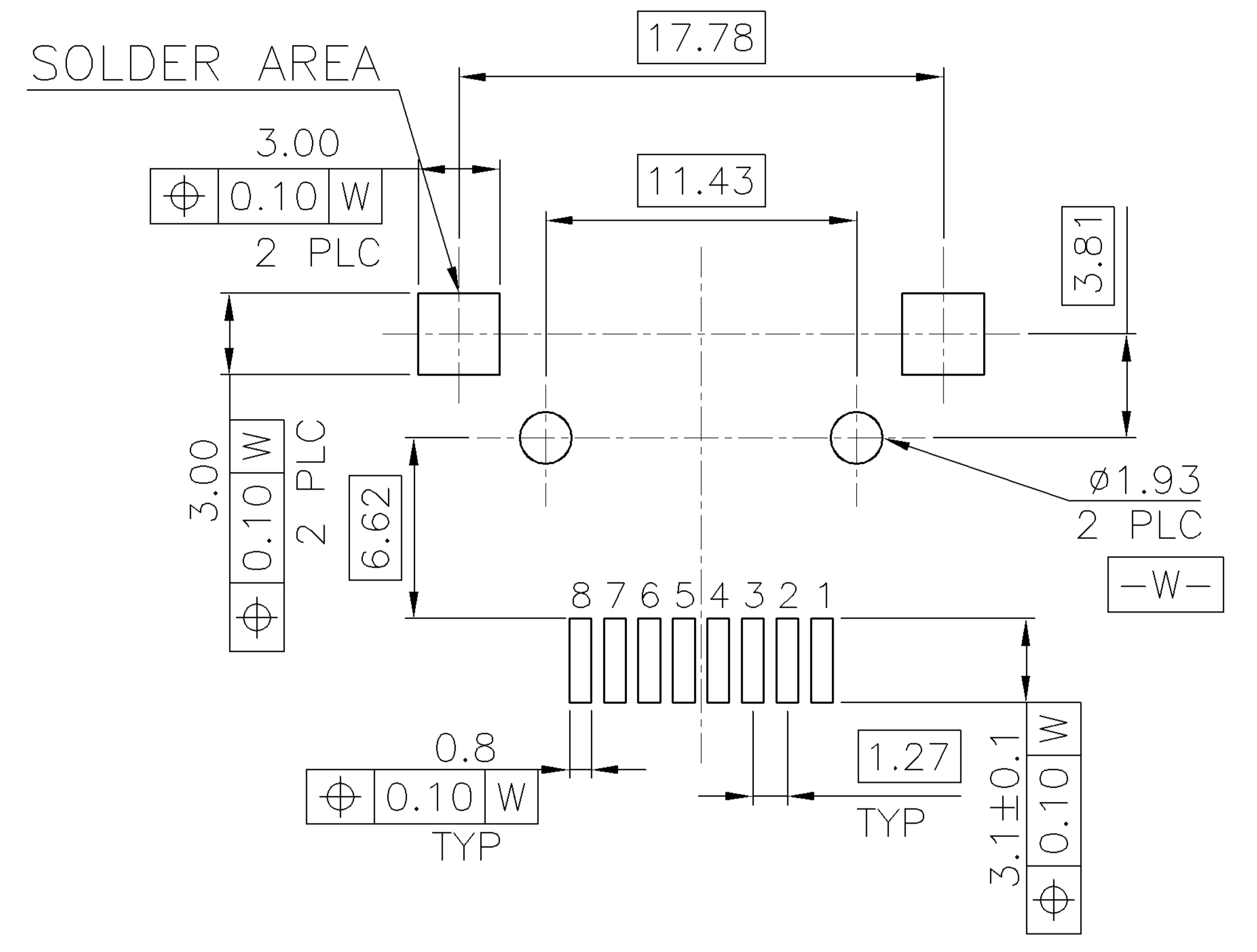
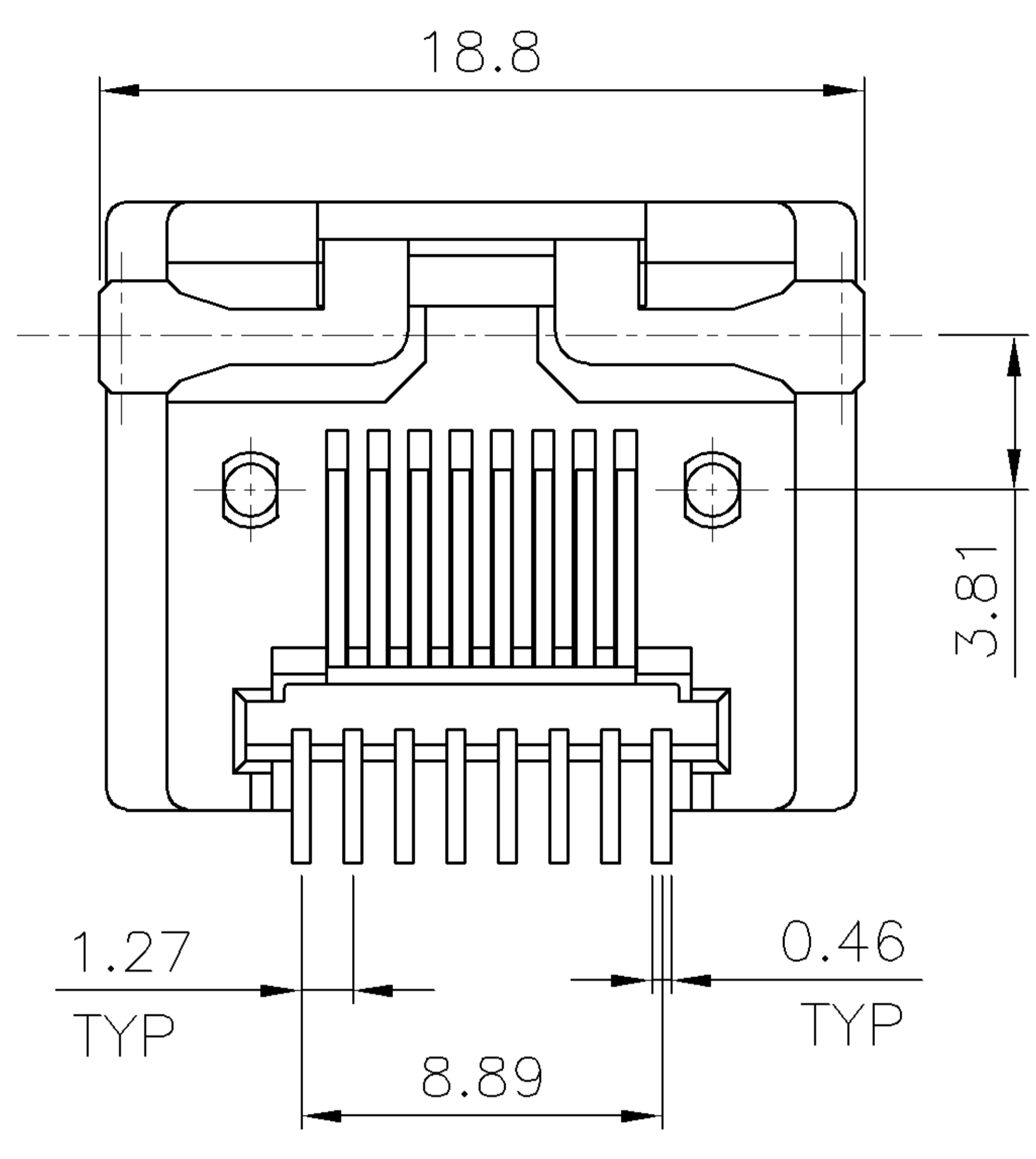
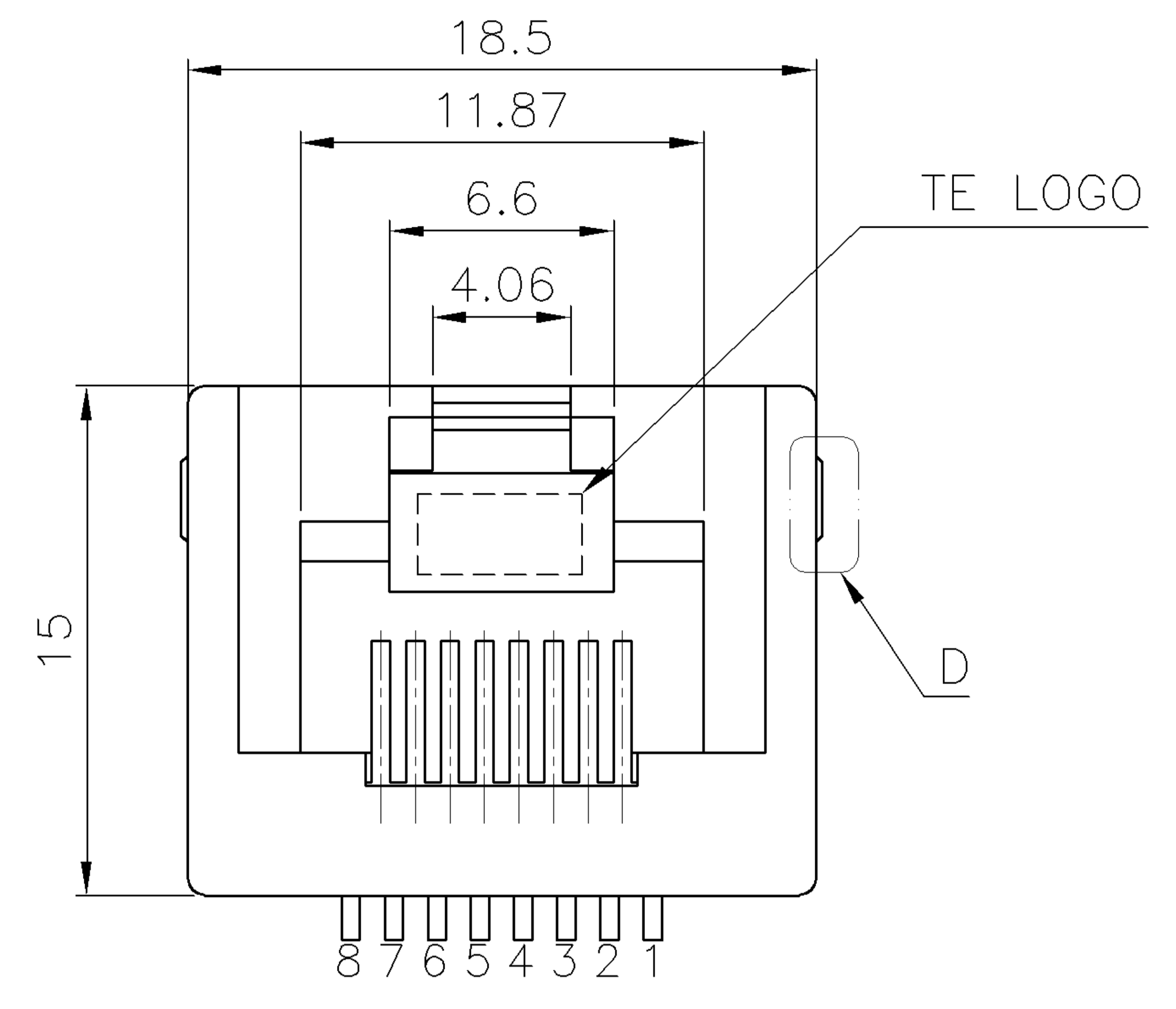
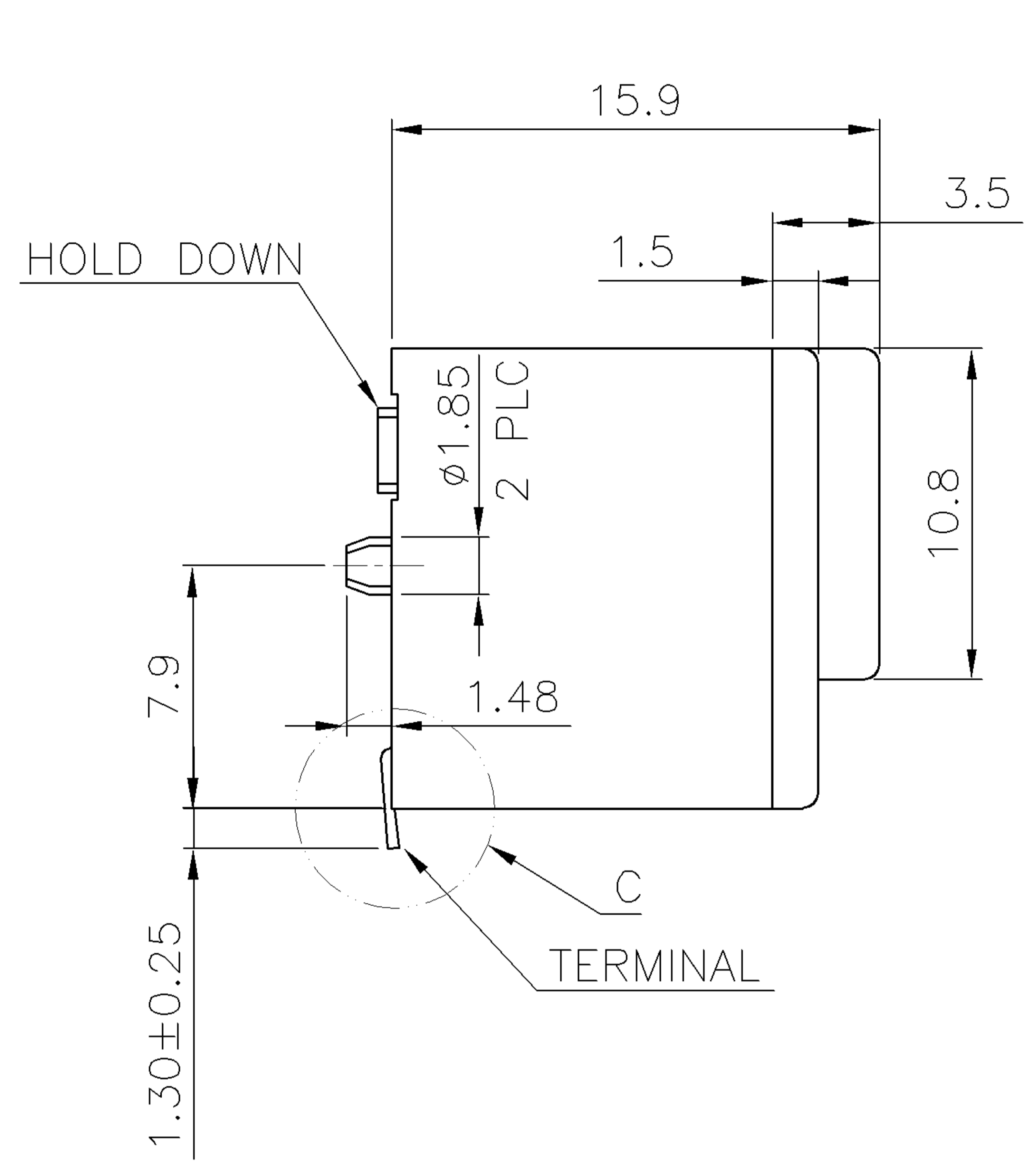
- NOTE:
- MATERIAL:
HOUSING: PA46 WITH 30% GF, UL 94V-0, BLACK COLOR.
CONTACTS: PHOSPHOR BRONZE.
HOLD DOWN: COPPER ALLOY.
 - FINISH:
CONTACTS: (SEE TABLE) GOLD PLATED ON CONTACT AREA, GOLD FLASH ON SOLDER TAIL, WITH ENTIRE CONTACT UNDERPLATED 1.27μm [50μ"] MIN. NICKEL.
HOLD DOWN: 2.54μm [100μ"] MIN. MATTE-TIN UNDERPLATED OVER ALL.
 - REFLOW SOLDER CAPABLE TO 260°C PER TE SPEC. 109-201, CONDITION B.

4 OBSOLETE PARTS: OBSOLETE CIS STREAMLINING PER D.RENAUD/D.SINISI

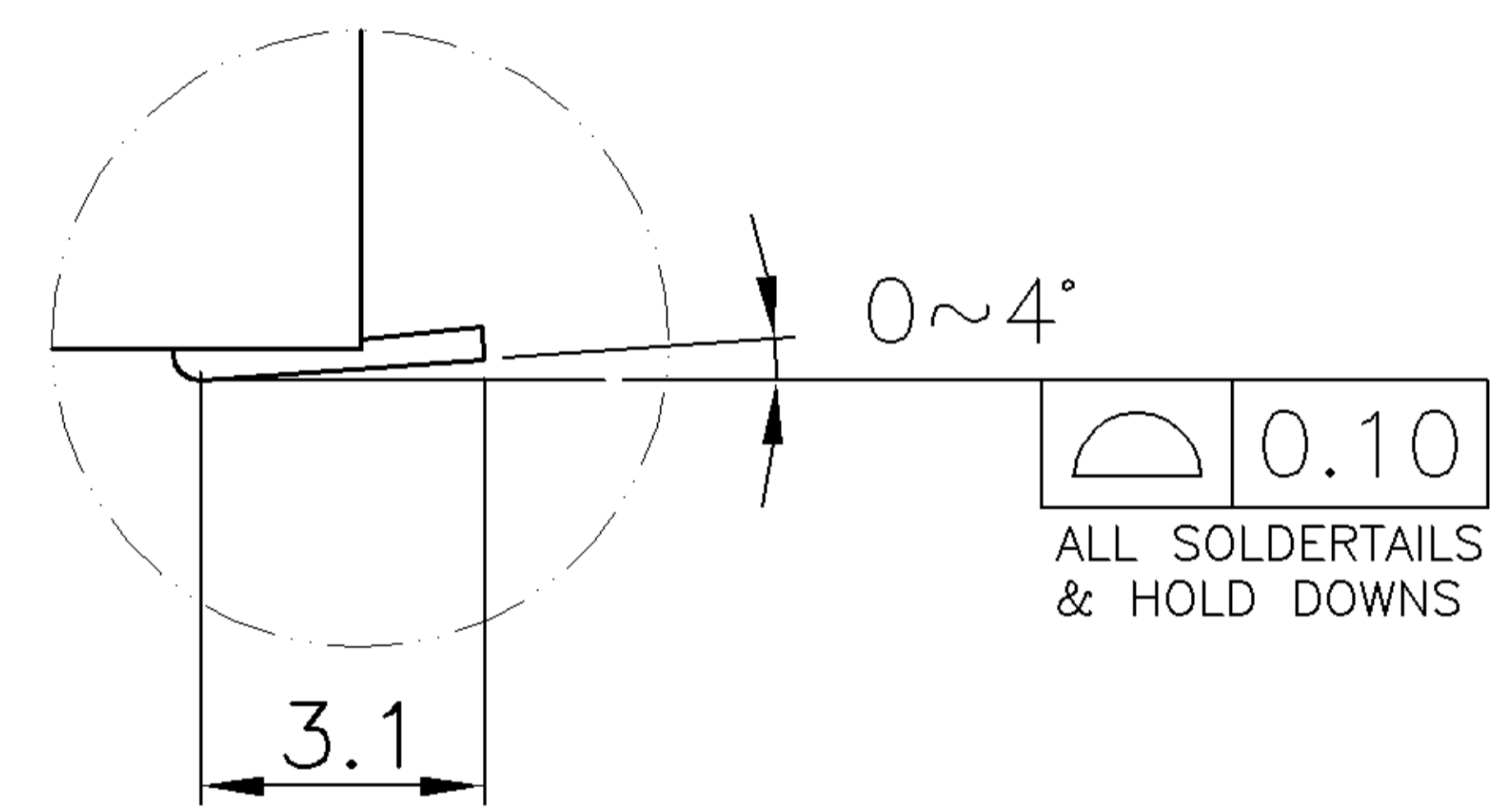
THIS DRAWING IS A CONTROLLED DOCUMENT.		DWN	O. HU	06NOV2007	TE Connectivity							
DIMENSIONS: MM		CHK	S. HOU	06NOV2007								
TOLERANCES UNLESS OTHERWISE SPECIFIED:		APVD	W. KODAMA	06NOV2007	NAME							
0 PLC ± 0.50 1 PLC ± 0.30 2 PLC ± 0.20 3 PLC ± 0.10 4 PLC ± - ANGLES ± -		PRODUCT SPEC		108-57464								
MATERIAL SEE NOTE		QUALIFICATION TEST REPORT		501-57546								
FINISH SEE NOTE		WEIGHT	3.3 GRAMS		SIZE	A3	CAGE CODE	00779	DRAWING NO	C=1734858	RESTRICTED TO	-
CUSTOMER DRAWING					SCALE	-	SHEET	1 OF 3	REV	A2		

THIS DRAWING IS UNPUBLISHED. RELEASED FOR PUBLICATION
 © COPYRIGHT - ALL RIGHTS RESERVED.

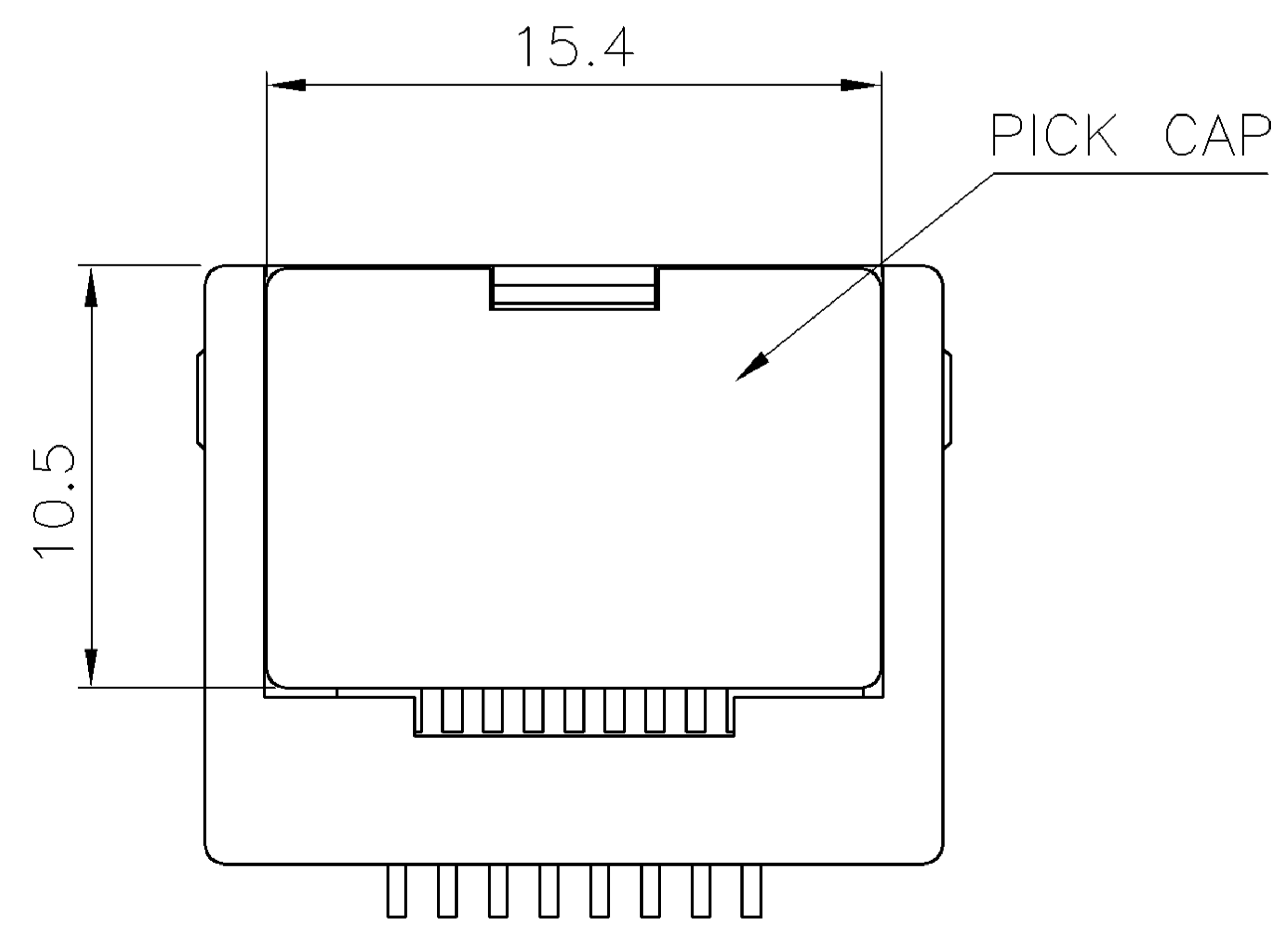
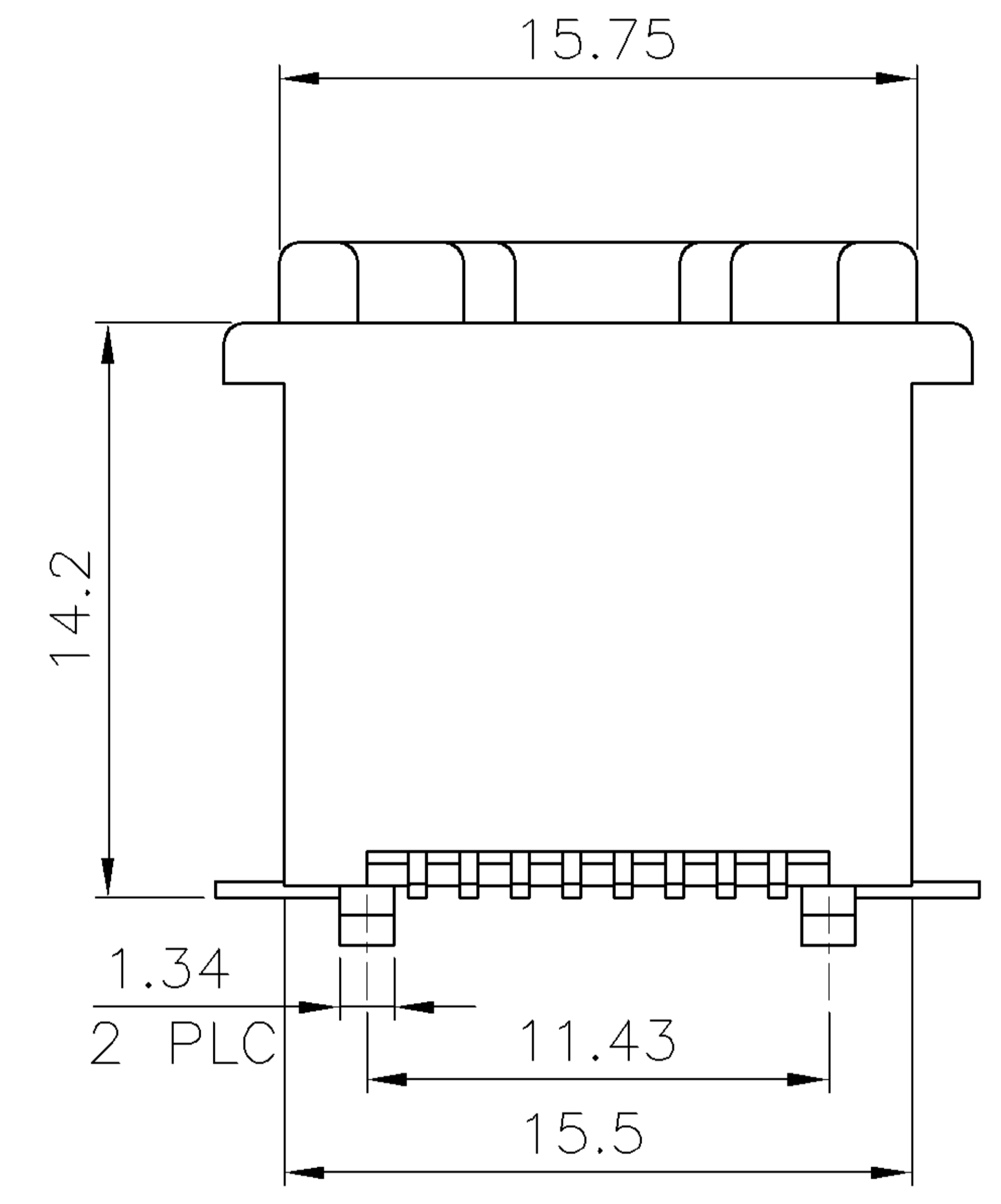
LOC	DW	DIST	REVISIONS					
			P	LTR	DESCRIPTION	DATE	DWN	APVD
					SEE SHEET 1.			



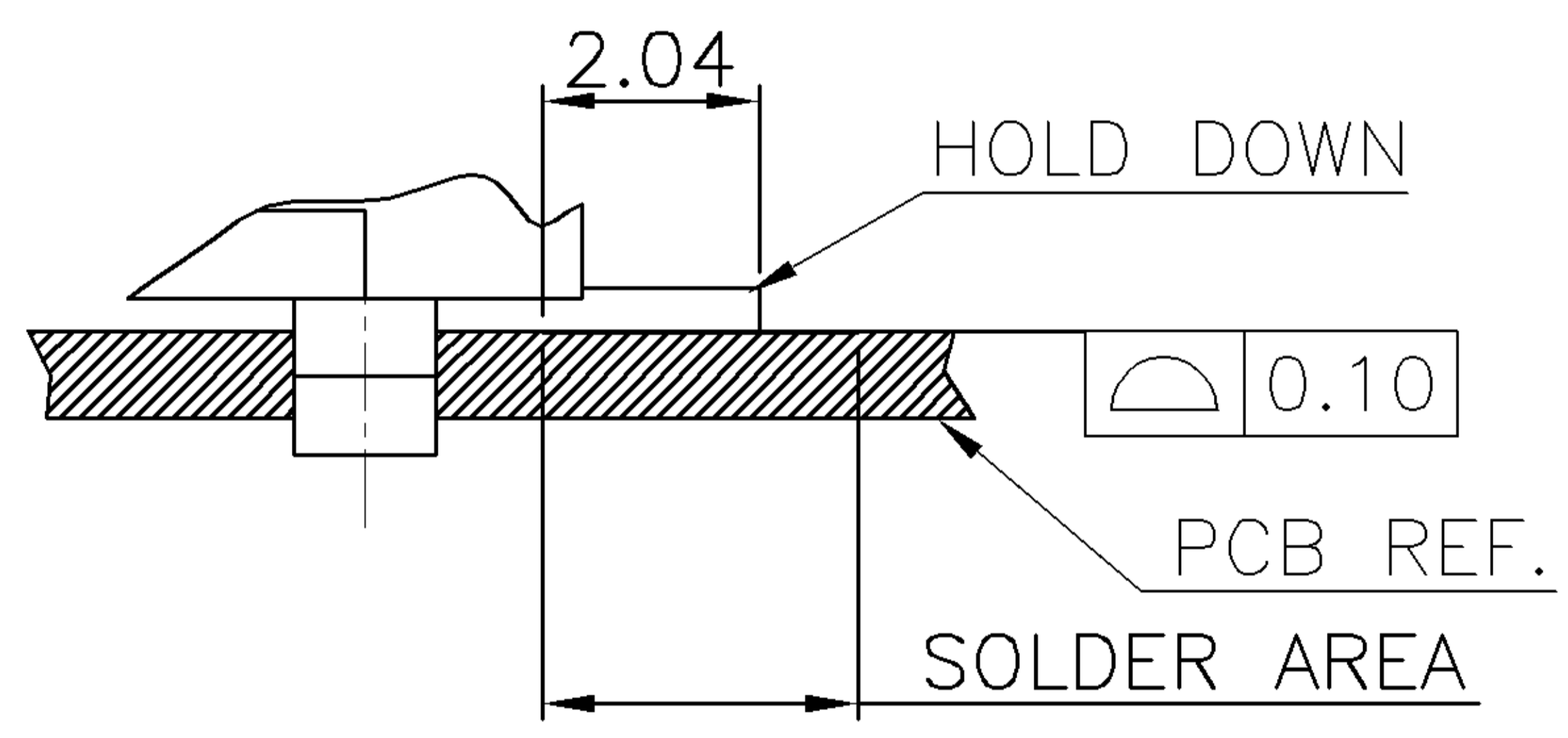
RECOMMENDED PCB LAYOUT (THICKNESS: 1.6mm)
 (DIMENSION TOLERANCE: ±0.05)



VIEW C



TOP VIEW



VIEW D

WITH	8P8C	50μ"	2-1734858-8
		30μ"	2-1734858-7
		15μ"	2-1734858-6
		6μ"	2-1734858-5
WITHOUT	8P8C	50μ"	2-1734858-4
		30μ"	2-1734858-3
		15μ"	2-1734858-2
		6μ"	2-1734858-1
PICK CAP	RJ45	MIN. GOLD THICKNESS	PART NUMBER

- NOTE:
- MATERIAL:
 HOUSING: PA46 WITH 30% GF, UL 94V-0, BLACK COLOR.
 CONTACTS: PHOSPHOR BRONZE.
 HOLD DOWN: PHOSPHOR BRONZE.
 - FINISH:
 CONTACTS: (SEE TABLE) GOLD PLATED ON CONTACT AREA,
 GOLD FLASH ON SOLDER TAIL, WITH ENTIRE CONTACT
 UNDERPLATED 1.27μm [50μ"] MIN. NICKEL.
 HOLD DOWN: 2.54μm [100μ"] MIN. MATTE-TIN UNDERPLATED OVER ALL.
 - REFLOW SOLDER CAPABLE TO 260°C PER TE SPEC.
 109-201, CONDITION B.

4 OBSOLETE PARTS: OBSOLETE CIS STREAMLINING PER D.RENAUD/D.SINISI

THIS DRAWING IS A CONTROLLED DOCUMENT.		DWN	O. HU	06NOV2007	TE Connectivity							
		CHK	S. HOU	06NOV2007								
		APVD	W. KODAMA	06NOV2007	NAME							
		PRODUCT SPEC			108-57464							
		APPLICATION SPEC			501-57546							
		WEIGHT	3.8 GRAMS		SIZE	A3	CAGE CODE	00779	DRAWING NO	C=1734858	RESTRICTED TO	-
		CUSTOMER DRAWING			SCALE	-	SHEET	2 OF 3	REV	A2		

DIMENSIONS:	TOLERANCES UNLESS OTHERWISE SPECIFIED:
MM	
	0 PLC ±
	1 PLC ±
	2 PLC ±
	3 PLC ±
	4 PLC ±
	ANGLES ±
MATERIAL	FINISH

THIS DRAWING IS UNPUBLISHED.

RELEASED FOR PUBLICATION

ALL RIGHTS RESERVED.

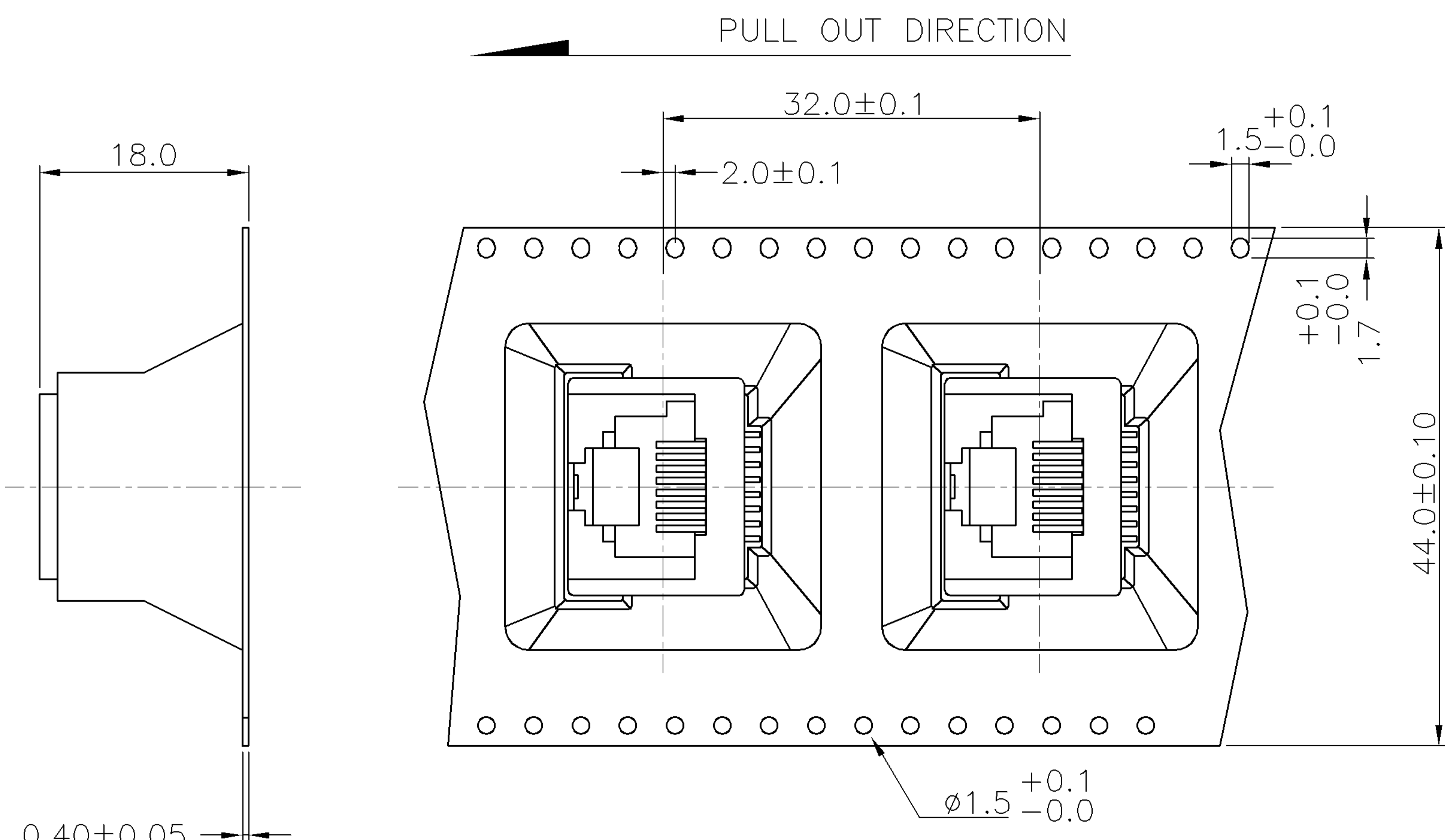
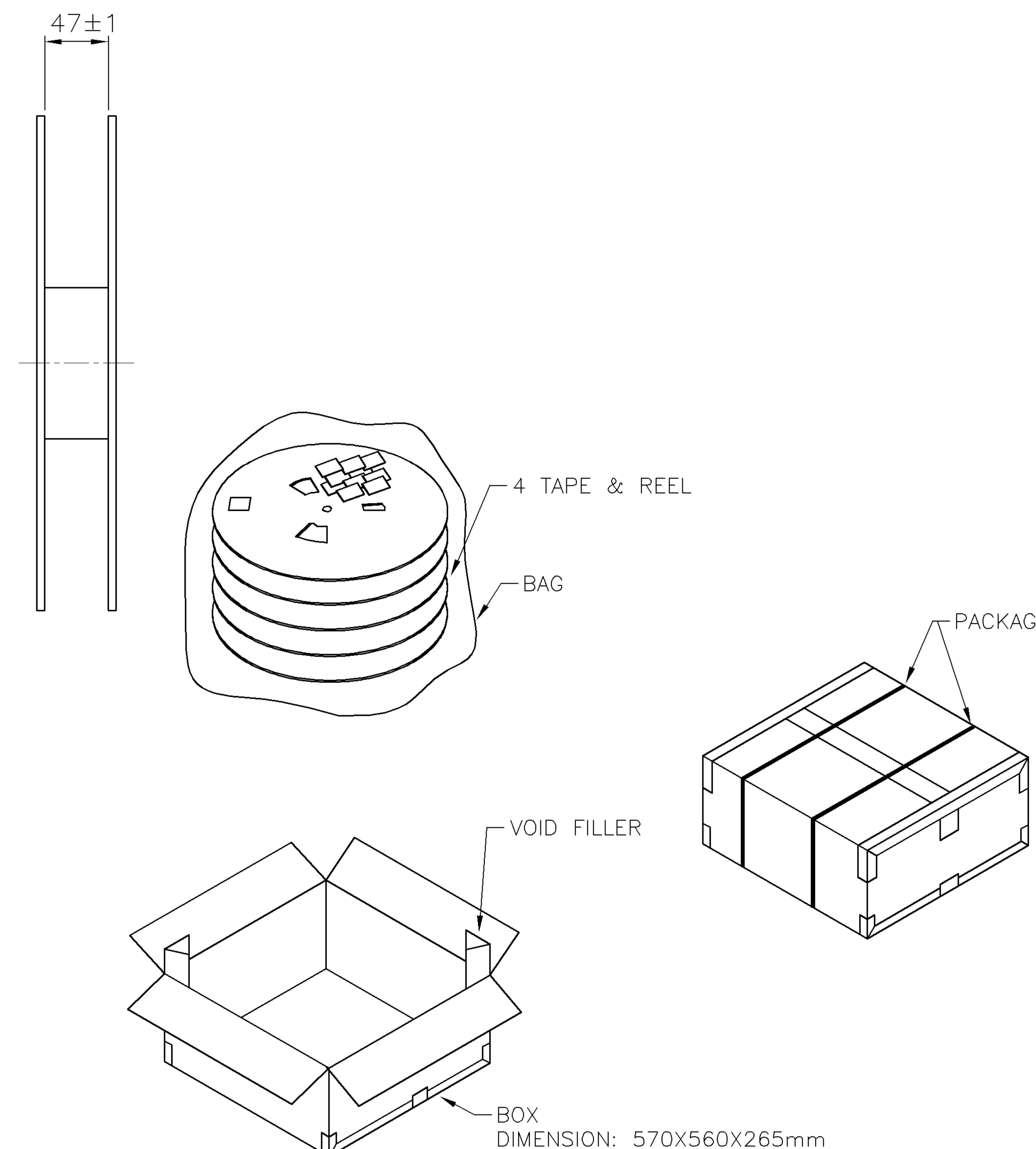
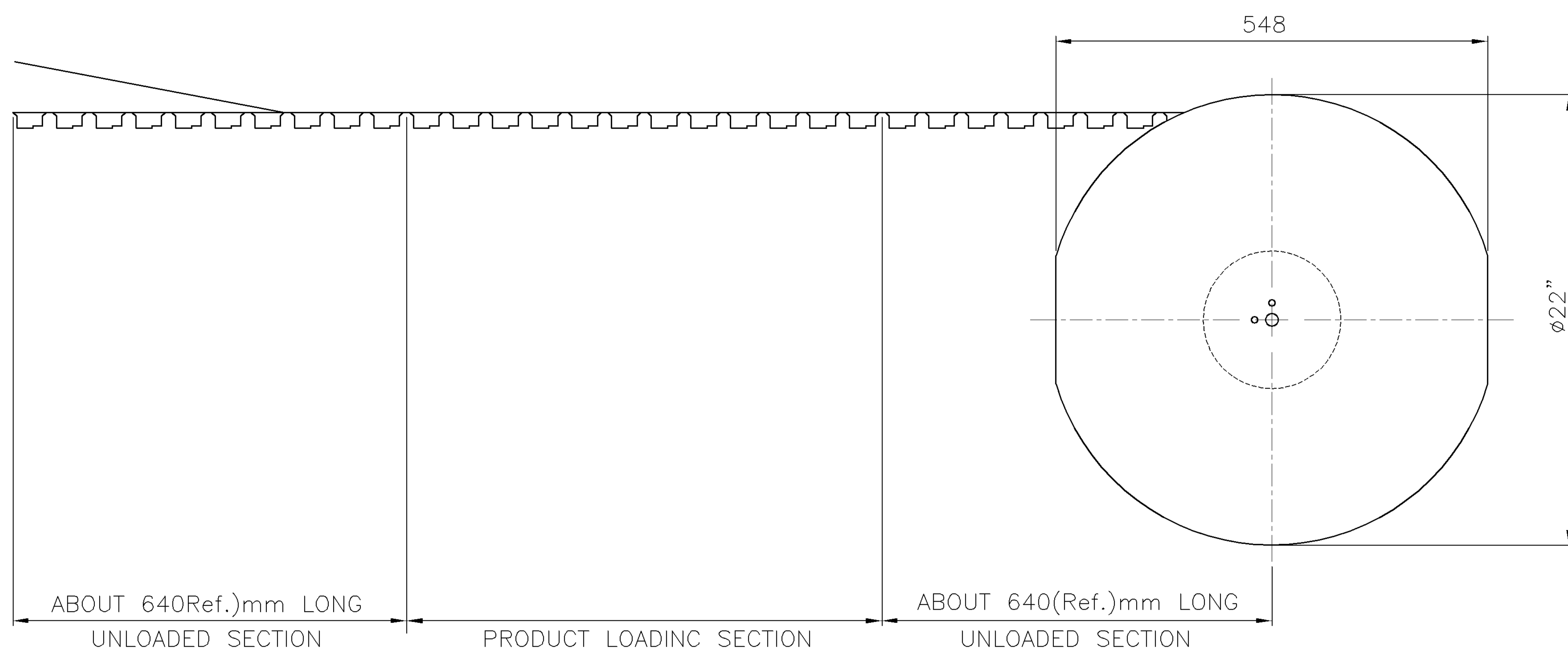
© COPYRIGHT -

LOC
DW

DIST
-

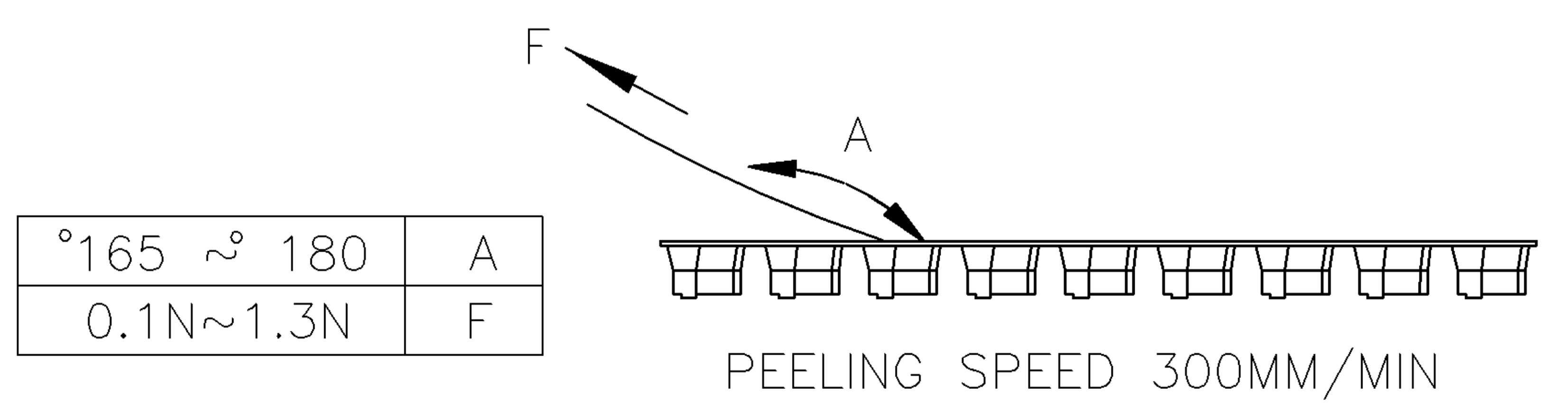
REVISIONS

P	LTR	DESCRIPTION	DATE	DWN	APVD
		SEE SHEET 1.			



1400	350	8P8C	2-1734858-X
1400	350	6P6C	1-1734858-X
1400	350	4P4C	1734858-X
TOTAL(PCS)	PCS/ REEL	RJ45/RJ11	PART NUMBER

* COVER TAPE PEELING FORCE:



THIS DRAWING IS A CONTROLLED DOCUMENT.		DWN O. HOU 06NOV2007	TE Connectivity MODULAR JACK, RJ45/RJ11 TOP ENTRY, SMT TYPE		
DIMENSIONS: MM		CHK S. HOU 06NOV2007			NAME
TOLERANCES UNLESS OTHERWISE SPECIFIED:		APVD W. KODAMA 06NOV2007			SIZE A3
0 PLC ± - 1 PLC ± - 2 PLC ± - 3 PLC ± - 4 PLC ± - ANGLES ± - MATERIAL - FINISH -		PRODUCT SPEC - APPLICATION SPEC - WEIGHT -			CAGE CODE 00779
		DRAWING NO C=1734858		RESTRICTED TO -	
		CUSTOMER DRAWING		SCALE -	
		SHEET 3 OF 3		REV A2	