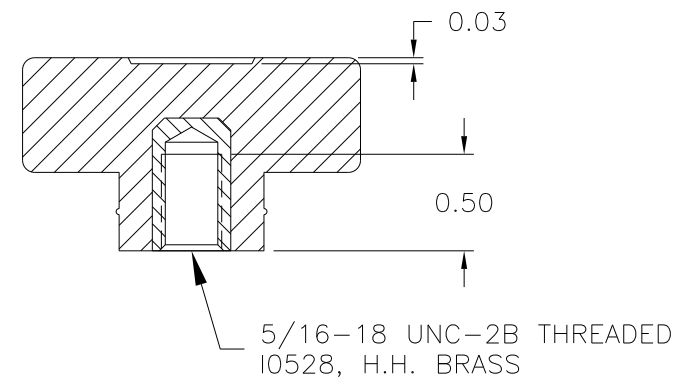
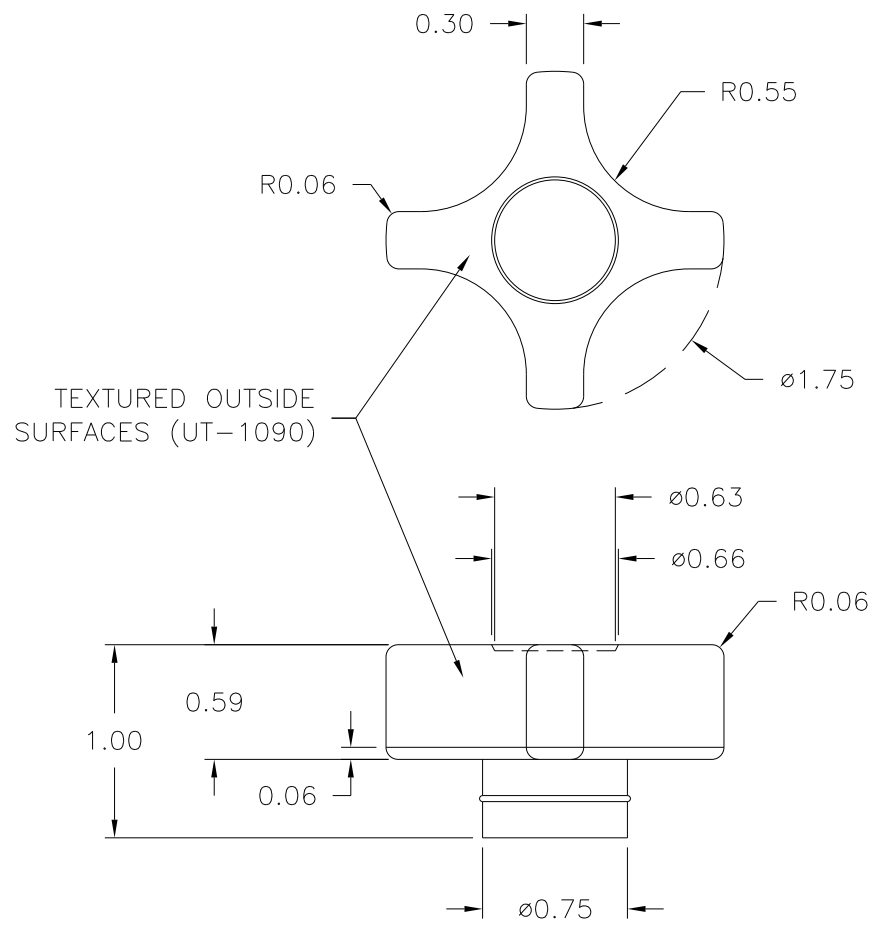


PART NAME: KNOB SCALE: 1:1 DATE: 3/16/94 DR. BY HD

THIS DRAWING IS THE PROPERTY OF DAVIES MOLDING COMPANY, IS SUBMITTED SOLELY AS A DESIGN OR ENGINEERING PROJECT. WE ACCEPT NO RESPONSIBILITY WHATSOEVER FOR THE PRACTICAL APPLICATION OF THE PIECES MADE TO THIS DESIGN.



P/N	2825-A
M ^{NO.}	73
CAVITY	2825
CORE	2825
CAVITY PLUG	2825
SLEEVE	2825
PIN	2825-A
INSERT	10528



(B) MATERIAL: NYLON 6/6 (ZY2), (ZY6)
OR ENGINEERING APPROVED EQUIVALENT
COLOR: BLACK

TOLERANCES: UNLESS OTHERWISE SPECIFIED	DO NOT SCALE DRAWING	B	ADDED ZY6	JAM	7/13/12
DECIMALS: X.XXX ± .005 X.XX ± .015	MM: X.XX ± 0.15MM X.X ± 0.4MM	A	ADDED MAT. CODE	DS	1/8/07
FRACTIONS ± 1/64	ANG. ± 1°	-	REDRAWN	TL	11/19/99
CHANGES					