

SUMMARY

Wires

Low	0
High	0
Coax	1
Triax	0
Quad	0
Fiber	0
Fluidic	0



Image is for illustrative purpose only

Download

[Request a quote](#)

[Catalog](#)

Series	1E
Termination type	Male solder
IP rating	68
Cable Ø	4.60 - 5.00 mm
Matching parts	ERA.1E.250.CTL
Status	
Alternative part	

TECHNICAL DETAILS

Mechanics

Shell Style/Model	FFA*: Straight plug, cable collet and nut for fitting a bend relief
Keying	Circular (can rotate), plug has male contact(s)
Housing Material	Brass (chrome plated) shell and collet nut, nickel plated brass latch sleeve and mid pieces
Cable Fixing	C50: 4.6 - 5 mm
Variant	Z : Nut for fitting a bend relief

Performance

Configuration	1E.250 : 1 Coax (50 Ohm)
Insulator	T: PTFE
Rated Current	12 Amps

Specifications

Contact Type:	Coaxial 50 Ohm (Solder)
Max. Matings:	1000
Contact Dia.:	0.9 mm (0.035in)
Bucket Dia.:	1 mm (0.039in)
Vtest:	3000 V (AC), 4200 V (DC)
Impedance:	50 Ohm

VSWR: $1.01 + 0.23 * f/\text{GHz}$

Cable type: RG 178 B/U, RG 196 A/U, RG 188 A/U, RG 316 B/U, RG 174 A/U, HF-2114, RG 122 /U

Others

Endurance (Shell): 5000 mating cycles

Temp (min / max): $-55^{\circ}\text{C} / +200^{\circ}\text{C}$

Humidity (max): $\leq 95\%$ [at $60^{\circ}\text{C} / 140^{\circ}\text{F}$]

Vibration: 15 g [10 Hz - 2000 Hz]

Shock Resistance: 100 g [6 ms]

Salt Spray Corrosion: >1000 hr

Climatical Category: 50/175/21

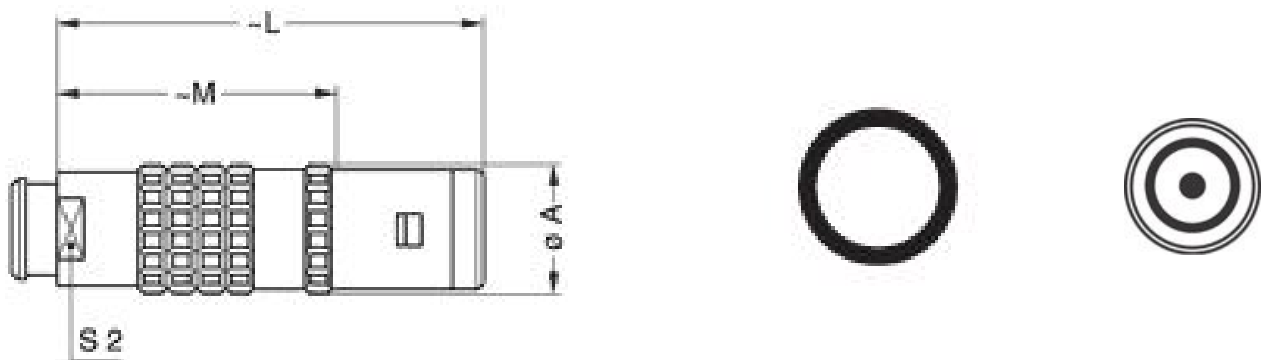
Shielding (min): 95 dB (10 MHz)

Shielding (min): 80 dB (1 GHz)

IP Rating: 68

DRAWINGS

Draws



Dimensions

	A	L	M	S2
mm.	13	42	28	9
in.	0,51	1,65	1,10	0,35

RECOMMENDED BY LEMO

Tools

Spanner wrench: DCD.1E.008.PA090

Caps: BFA.1E.100.NAS

