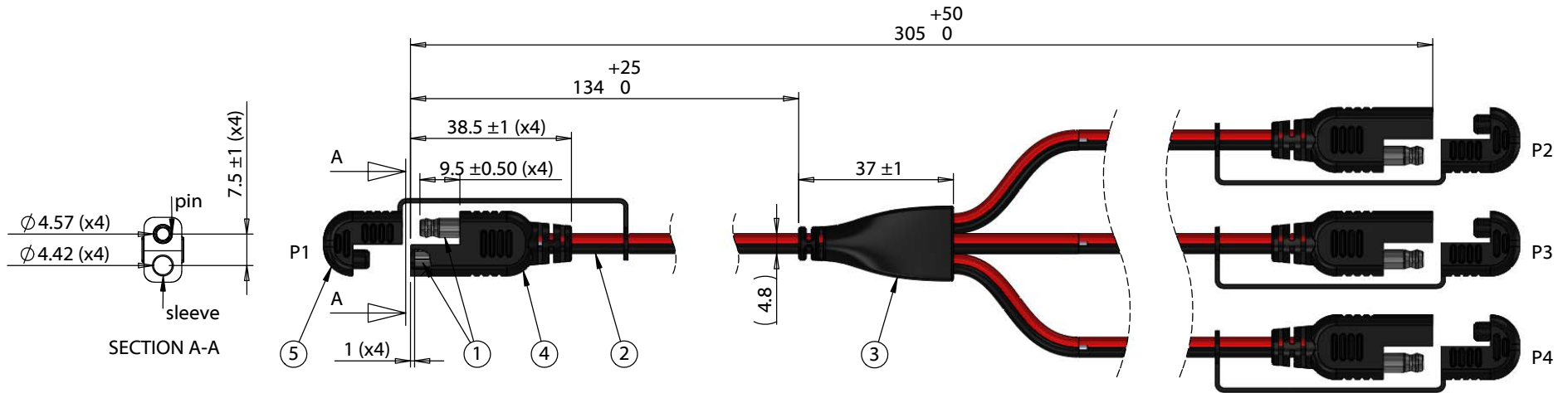


ITEM NO.	PART NUMBER	DESCRIPTION	QTY.	COMPONENT NOTES
1	50-00550	Connector, 4.75x10.2mm SAE, brass nickel plated, molding type	4	
2	30-00792	Wire, 2C TS, 16 AWG, UL2651, 300V, 105C, 4.8 mm, VW-1, PVC, red and black	4	
3	24-00186	Overmold, W split, PVC	1	black, 105 °C
4	24-00176	Overmold, SAE connector, PVC, black	4	black, 105 °C
5	55-00059	Dust cap, SAE connector, overmold fit	4	black, 105 °C



Wiring Diagram		
P1	wire color	P2 & P3 & P4
pin	red (+)	sleeve
sleeve	black (-)	pin

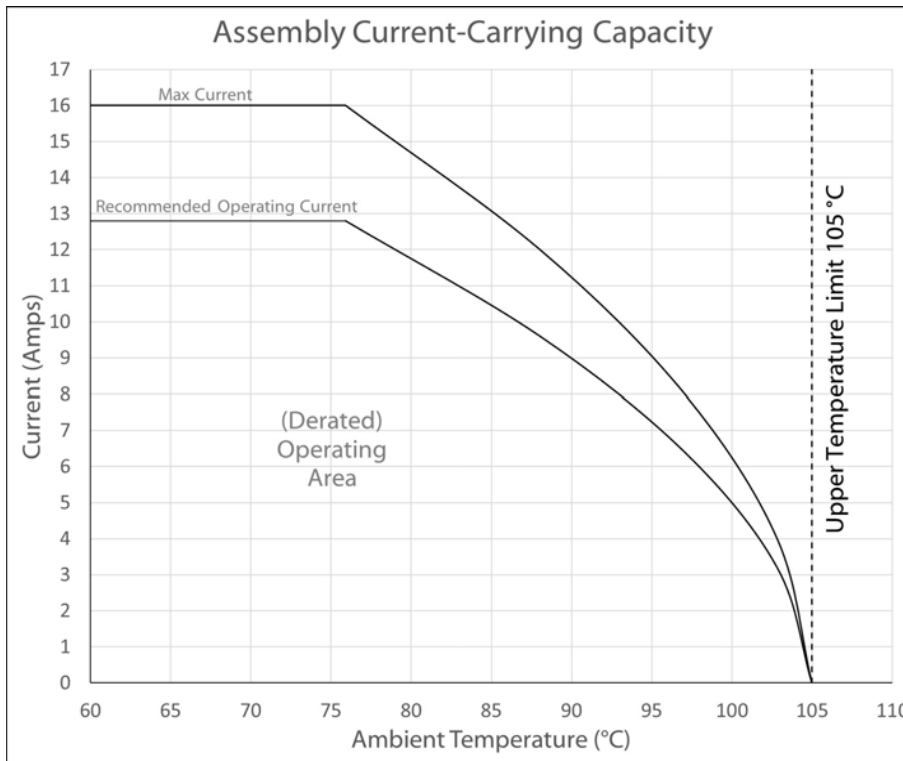
Notes:
Functionally equivalent components may be substituted

Revision:	Date:	Description:	Prepared:	Notes:	<h1>TENSILITY</h1> <p>tel 1.541.323.3228 800 877.670.7118 fax 1.541.323.4202 web tensility.com</p>				
A	1/16/2017	Initial release	Verified:	RoHS and REACH compliant					
			Dimensions are in millimeters. Tolerances: X: ± 0.5 mm X.X: ± 0.3 mm X.XX: ± 0.05 mm	Function test: no open, no short circuit, no intermittent					
				Description: Cable, 305 mm, 50-00550 SAE to W split to three 50-00550 SAE, 16 AWG, UL2651, 30-00792, caps					
					<table border="1"> <tr> <td>Size:</td> <td>Part number:</td> </tr> <tr> <td>A</td> <td>10-02411</td> </tr> </table>	Size:	Part number:	A	10-02411
Size:	Part number:								
A	10-02411								
					<table border="1"> <tr> <td>Scale:</td> <td>2:3</td> <td></td> <td>Sheet 1 of 2</td> </tr> </table>	Scale:	2:3		Sheet 1 of 2
Scale:	2:3		Sheet 1 of 2						


Electrical Requirements

Operating Voltage: 48 Vdc

Max Current: 16 A



Testing based on IEC 60512-5-2. Max current curve generated with isolated test article under controlled environmental conditions, and does not take into account external factors such as housings or circuitry. Recommended operating current curve (derated to 80% of max values) accounts for external factors, manufacturing variation, and error in temperature measurements.

Revision:	Date:	Description:	Prepared:	Notes: RoHS and REACH compliant	TENSILITY tel 1.541.323.3228 800 877.670.7118 fax 1.541.323.4202 web tensility.com
A	1/16/2017	Initial release	Verified:		
			Dimensions are in millimeters. Tolerances: X: ± 0.5 mm X.X: ± 0.3 mm X.XX: ± 0.05 mm	Description:	Size: Part number:
				Cable, 305 mm, 50-00550 SAE to W split to three 50-00550 SAE, 16 AWG, UL2651, 30-00792, caps	A 10-02411
				Scale: 2:3	Scale: 2:3  Sheet 2 of 2