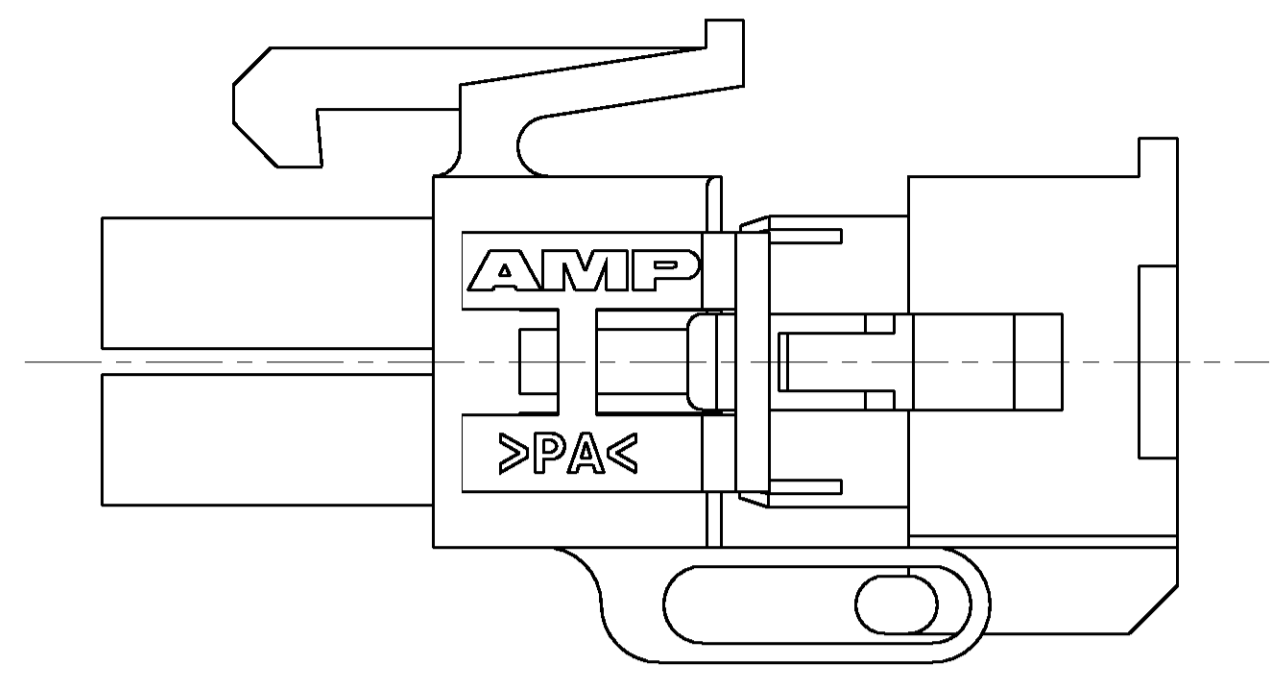
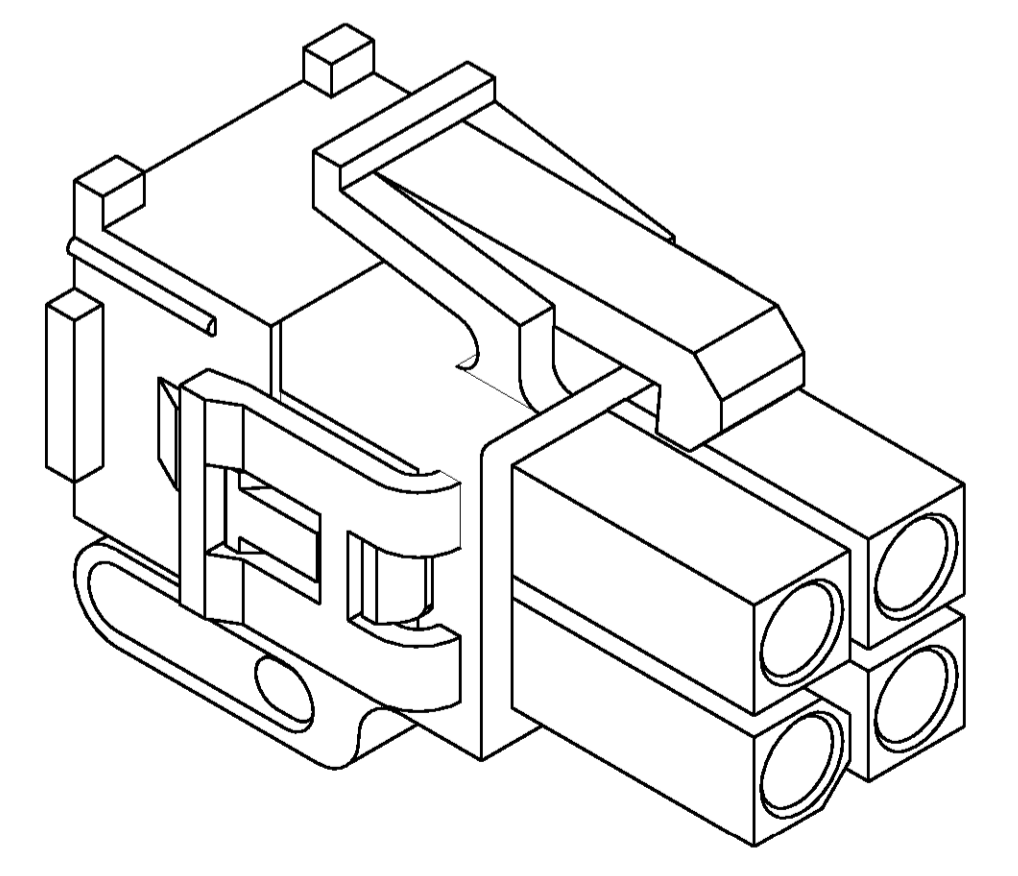
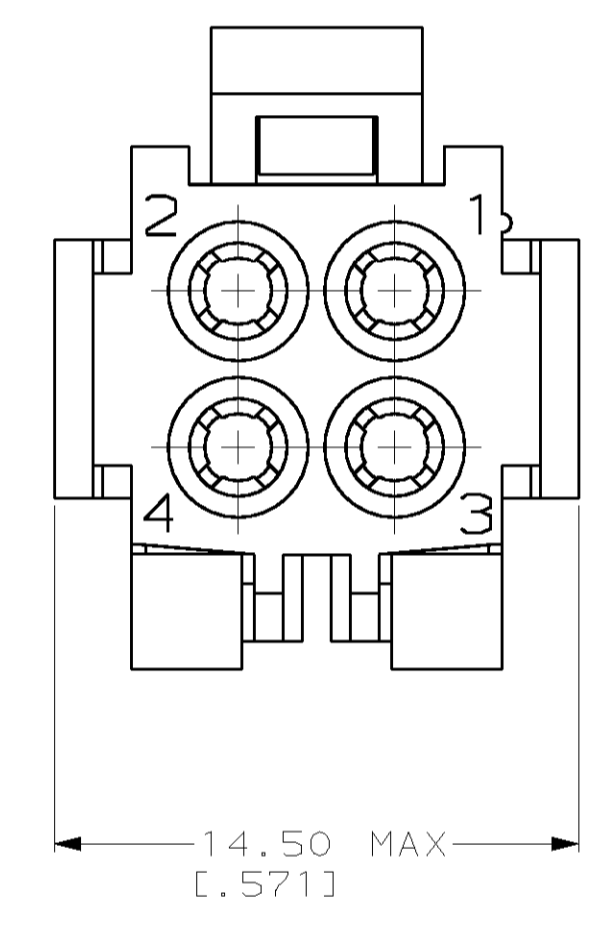
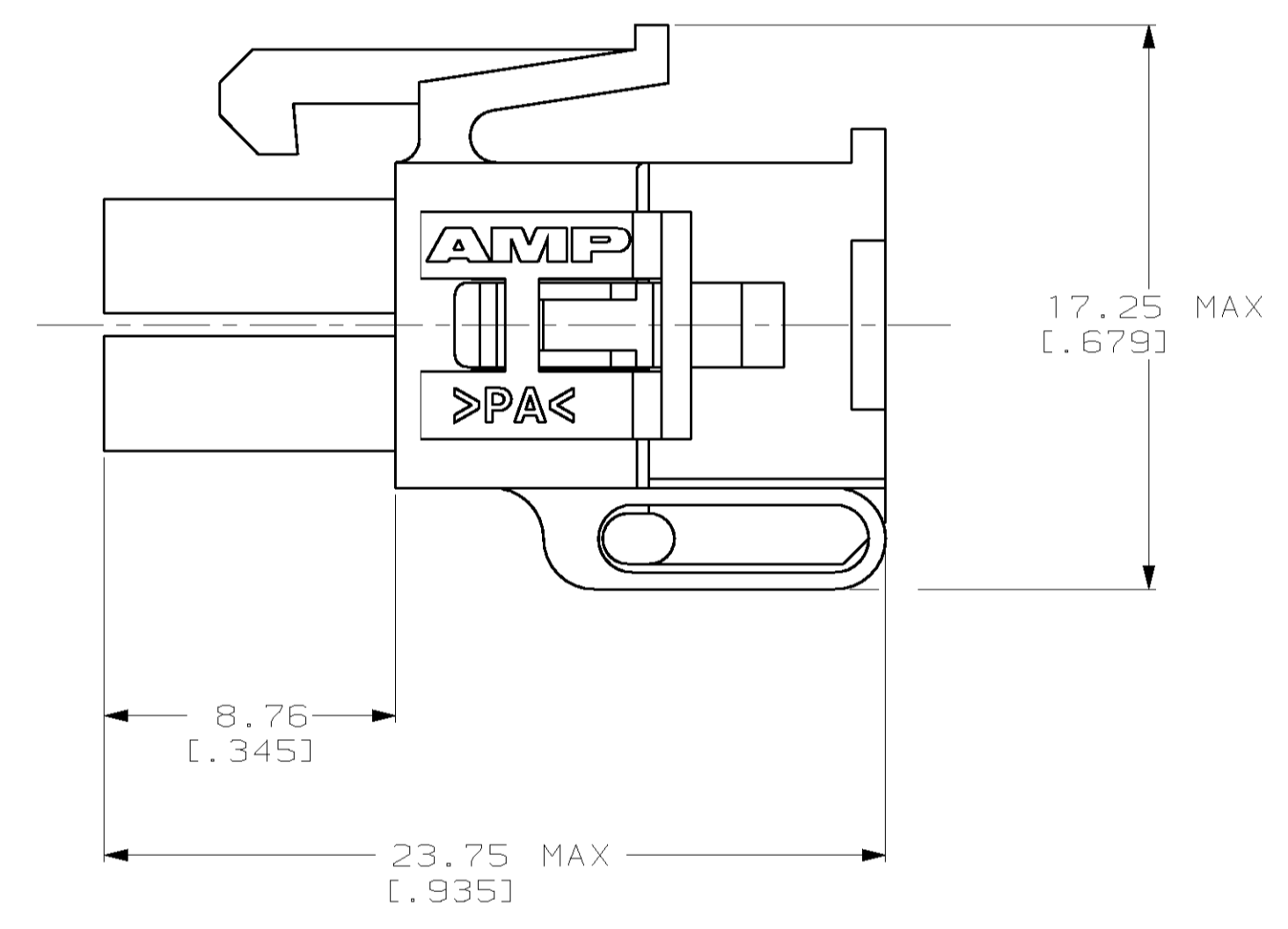
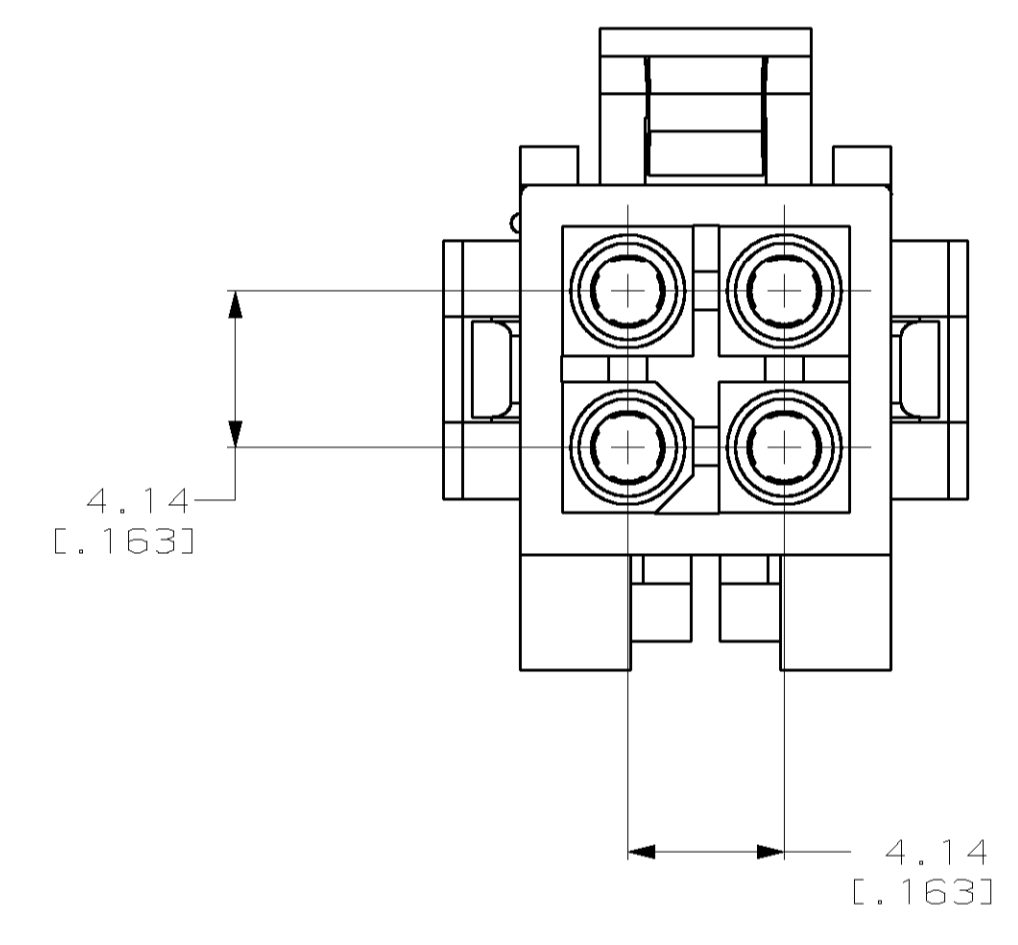


LOC	DIST	REVISIONS			
F	CHR	DESCRIPTION	DATE	OWN	APVD
B		REV PER EC 061B-0094-99	23-SEP-99	KW	KC



PRE-STAGED CONDITION

1. DIMENSIONS IN BRACKETS ARE IN INCHES.



3-DIMENSIONAL MODEL
NTS

794241-1
PART NUMBER



THIS DRAWING IS A CONTROLLED DOCUMENT.		DWN K. WHITAKER 5-12-97	AMP AMP Incorporated Harrisburg, PA 17105-3608
TOLERANCES UNLESS OTHERWISE SPECIFIED:		CHK R. SWING 5-12-97	
DIMENSIONS:	mm	APVD S. ORSTAD 5-12-97	NAME PLUG, 4 CIRCUIT, MINI UNIVERSAL MATE-N-LOK™ 2
0 PLC ± .01	± .01	PRODUCT SPEC	SIZE CAGE CODE DRAWING NO
1 PLC ± .01	± .01	APPLICATION SPEC	A1 00779 C-794241
2 PLC ± .013 (.005)	± .013 (.005)	RESTRICTED TO	
3 PLC ± .01	± .01	WEIGHT	
4 PLC ± .01	± .01	CUSTOMER DRAWING	
ANGLES	°	SCALE	5:1
MATERIAL NYLON, UL 94V-2, NATURAL	FINISH -	SHEET	1 OF 1
		REV	B