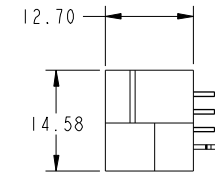
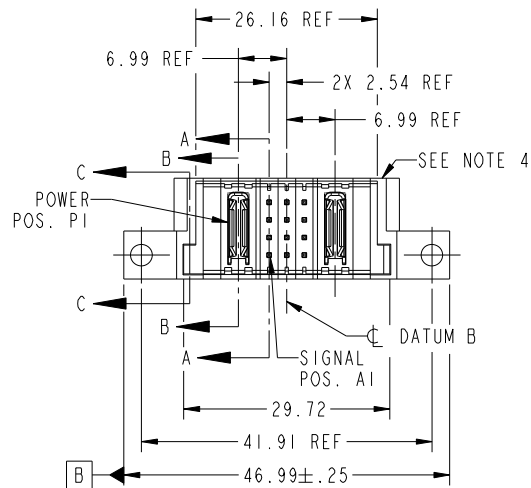
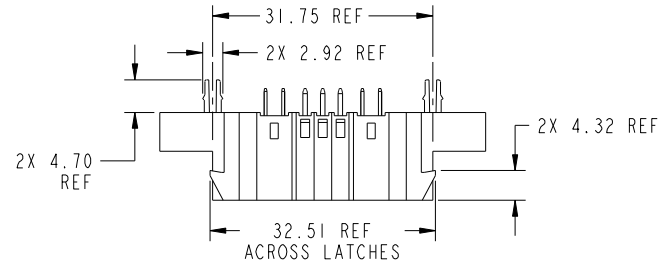
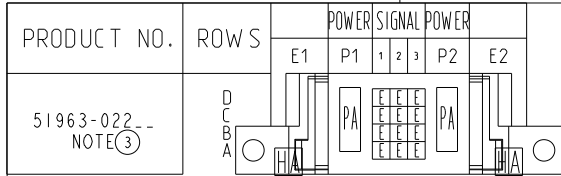


Tous droits strictement reserves. Reproduction ou communication a des tiers interdite sous quelque forme que ce soit sans autorisation écrite du propriétaire. Propriete de c FCI. Droits de reproduction FCI.



All rights strictly reserved. Reproduction or issue to third parties in any form whatever is not permitted without written authority from the proprietor. Property of FCI. Copyright FCI.



CODE	DIM "M" MATING LENGTH	CONTACT TYPE
PA	[N/A]	POWER
E	[6.86]	SIGNAL
HA	[N/A]	HOLD-DOWN

mat'l code				tolerances unless otherwise specified		CUSTOMER		FCI	
ltr	ecn no.	dr	date	linear	0.X ± 0.3	COPY		www.fciconnect.com	
A	DG07-0271	JMG	06/28/07	angles	0.XX ± 0.13	projection		title	
					0.XXX ± 0.051	MIM		IP + 12S + IP VERTICAL SOLDER HEADER	
				dr	0° ± 2°	scale		product family	
				enrg	JM Guo 06/28/07	1:1		PwrBlade	
				chr	Ryan Yuan 06/28/07			code	
				appd	Gary Hsieh 06/28/07			size	
					Joseph Hsia 06/28/07			dwg no	
sheet index	revision sheet	A	A	A	A			A	
		1	2	3	4			51963-022	
								sheet 1 of 4	
								cage code	
								22526	

Pro/E

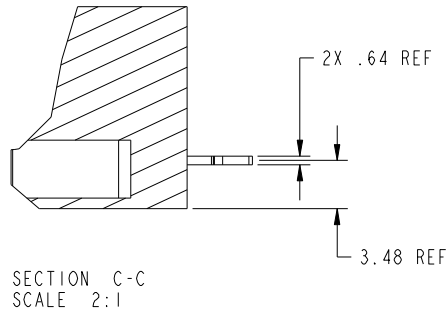
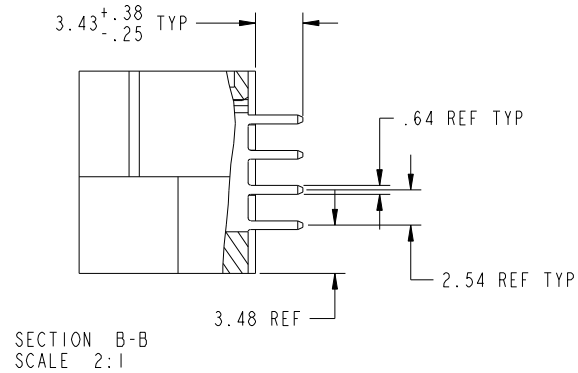
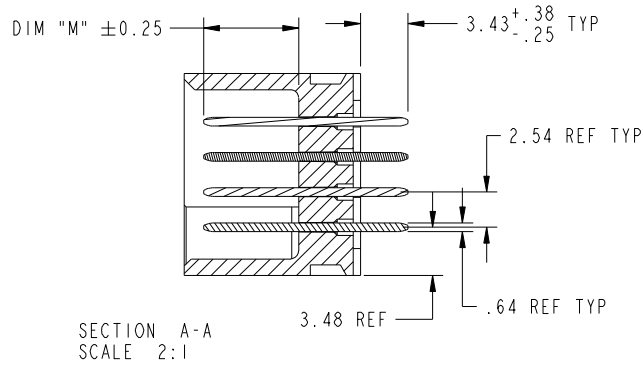
cage code 22526

Tous droits strictement reserves. Reproduction ou communication a des tiers interdite sous quelque forme que ce soit sans autorisation écrite du propriétaire. Propriete de c FCI. Droits de reproduction FCI.

All rights strictly reserved. Reproduction or issue to third parties in any form whatever is not permitted without written authority from the proprietor. Property of FCI. Copyright FCI.



PRODUCT NUMBER
51963-022--
NOTE 3



mat'l code				tolerances unless otherwise specified		CUSTOMER		 www.fciconnect.com	
ltr	ecn no.	dr	date	linear	0.X ±0.3	COPY		 title IP + 12S + IP VERTICAL SOLDER HEADER	
A					0.XX ±0.13	 product family PwrBlade code 213			
					0.XXX ±0.051	 size dwg no 51963-022 sheet 2 of 4			
				angles	0° ±2°	scale 1:1			
				dr	JM Guo 06/28/07				
				enr	Ryan Yuan 06/28/07				
				chr	Gary Hsieh 06/28/07				
				appd	Joseph Hsia 06/28/07				
sheet index	revision sheet								

Pro/E

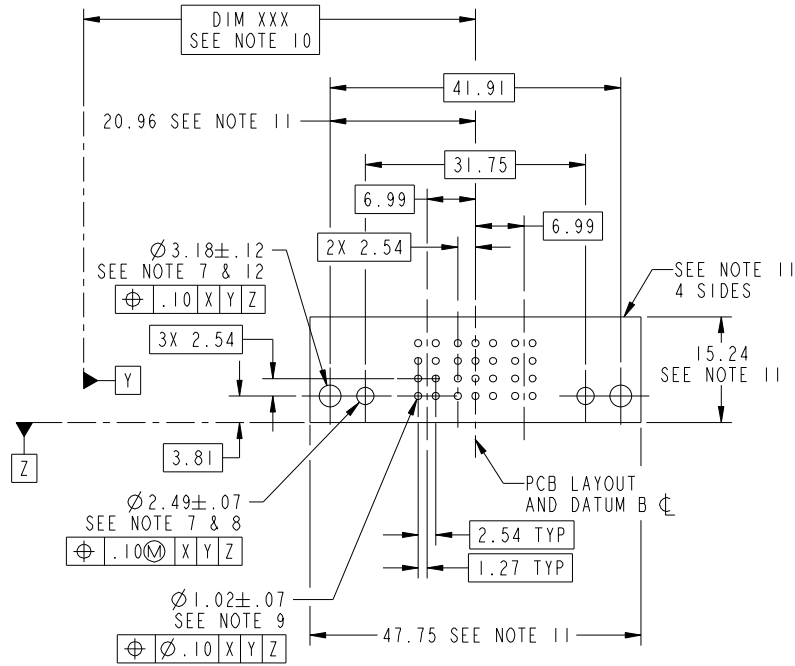
cage code 22526

Tous droits strictement reserves. Reproduction ou communication a des tiers interdite sous quelque forme que ce soit sans autorisation écrite du propriétaire. Propriete de c FCI. Droits de reproduction FCI.

All rights strictly reserved. Reproduction or issue to third parties in any form whatever is not permitted without written authority from the proprietor. Property of FCI. Copyright FCI.



PRODUCT NUMBER
51963-022--
NOTE 3



RECOMMENDED PCB LAYOUT

mat'l code				tolerances unless otherwise specified		CUSTOMER		www.fciconnect.com	
ltr	ecn no.	dr	date	linear	0.X ± 0.3	COPY		title	
A					0.XX ± 0.13	projection		IP + 12S + IP VERTICAL SOLDER HEADER	
				angles	0.XXX ± 0.051			product family PwrBlade code 213	
				dr	JM Guo 06/28/07	MIM		size dwg no 51963-022 sheet 3 of 4	
				enrg	Ryan Yuan 06/28/07	scale 1:1			
				chr	Gary Hsieh 06/28/07				
				appd	Joseph Hsia 06/28/07				
sheet index	revision sheet								

cage code 22526

Pro/E

Tous droits strictement reserves. Reproduction ou communication a des tiers interdite sous quelque forme que ce soit sans autorisation écrite du propriétaire. Propriete de c FCI. Droits de reproduction FCI.



All rights strictly reserved. Reproduction or issue to third parties in any form whatever is not permitted without written authority from the proprietor. Property of FCI. Copyright FCI.

PRODUCT NUMBER
51963-022--
NOTE 3

NOTES:

1. DIMENSIONS AND TOLERANCES ARE IN ACCORDANCE WITH ASME Y14.5M, 1994 UNLESS OTHERWISE SPECIFIED.

CONNECTOR NOTES:

- 2 HOUSING MATERIAL: UL 94 V-0 GLASS FILLED
HIGH-TEMP THERMOPLASTIC
POWER CONTACT MATERIAL: COPPER ALLOY
SIGNAL PIN MATERIAL: COPPER ALLOY
 - 3. PLATING:
51963-022 ,51963-022LF PLATING SPEC. WAS SHOWN IN THE PRINT OF 10064183.
 - 4 MANUFACTURER'S NAME, P/N, AND DATE CODE TO APPEAR ON THIS SURFACE.
 - 5. PRODUCT SPECIFICATION GS-12-149.
APPLICATION SPECIFICATION BUS-20-067.
 - 6. PACKAGED IN TRAYS.
- PCB NOTES:
- 7. ALL HOLE DIAMETERS ARE FINISHED HOLE SIZE.
 - 8. MOUNTING HOLES, WHERE APPLICABLE, ARE UNPLATED.
 - 9 $\varnothing 1.151 \pm 0.025$ DRILLED HOLES PLATED WITH
0.008 MIN SnPb OR Sn OVER 0.03
TO 0.08 Cu PLATING TO ACHIEVE
 $\varnothing 1.02 \pm 0.07$ HOLE.
 - 10 "DIM XXX" TO BE DETERMINED BY THE CUSTOMER.
 - 11 CONNECTOR KEEP-OUT ZONE.
 - 12. CUSTOMER SUPPLIES (2) #4-40 UNC SCREW,
HARDWARE TO MOUNT HEADER TO PC BOARD.

mat'l code				tolerances unless otherwise specified		CUSTOMER		FCI	
ltr	ecr no.	dr	date	linear	0.X ± 0.3	COPY		www.fciconnect.com	
A				projection	0.XX ± 0.13	title		IP + 12S + 1P VERTICAL SOLDER HEADER	
				angles	0.XXX ± 0.051	product family		PwrBlade code	
				dr	0° ± 2°	size		213	
				enr	JM Guo 06/28/07	scale		4 of 4	
				chr	Ryan Yuan 06/28/07	A		51963-022	
				appd	Gary Hsieh 06/28/07	1:1			
					Joseph Hsia 06/28/07				
sheet index	revision sheet								

cage code 22526

Pro/E