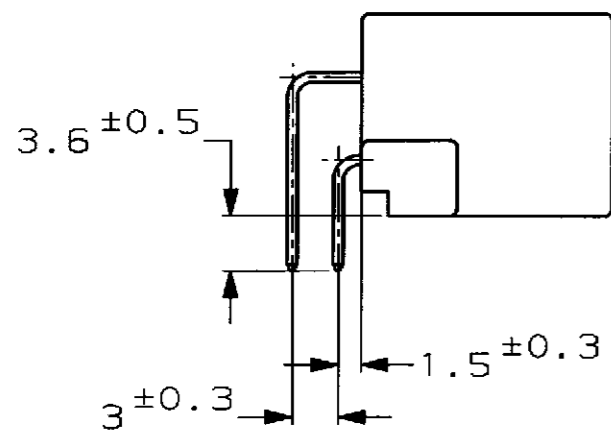
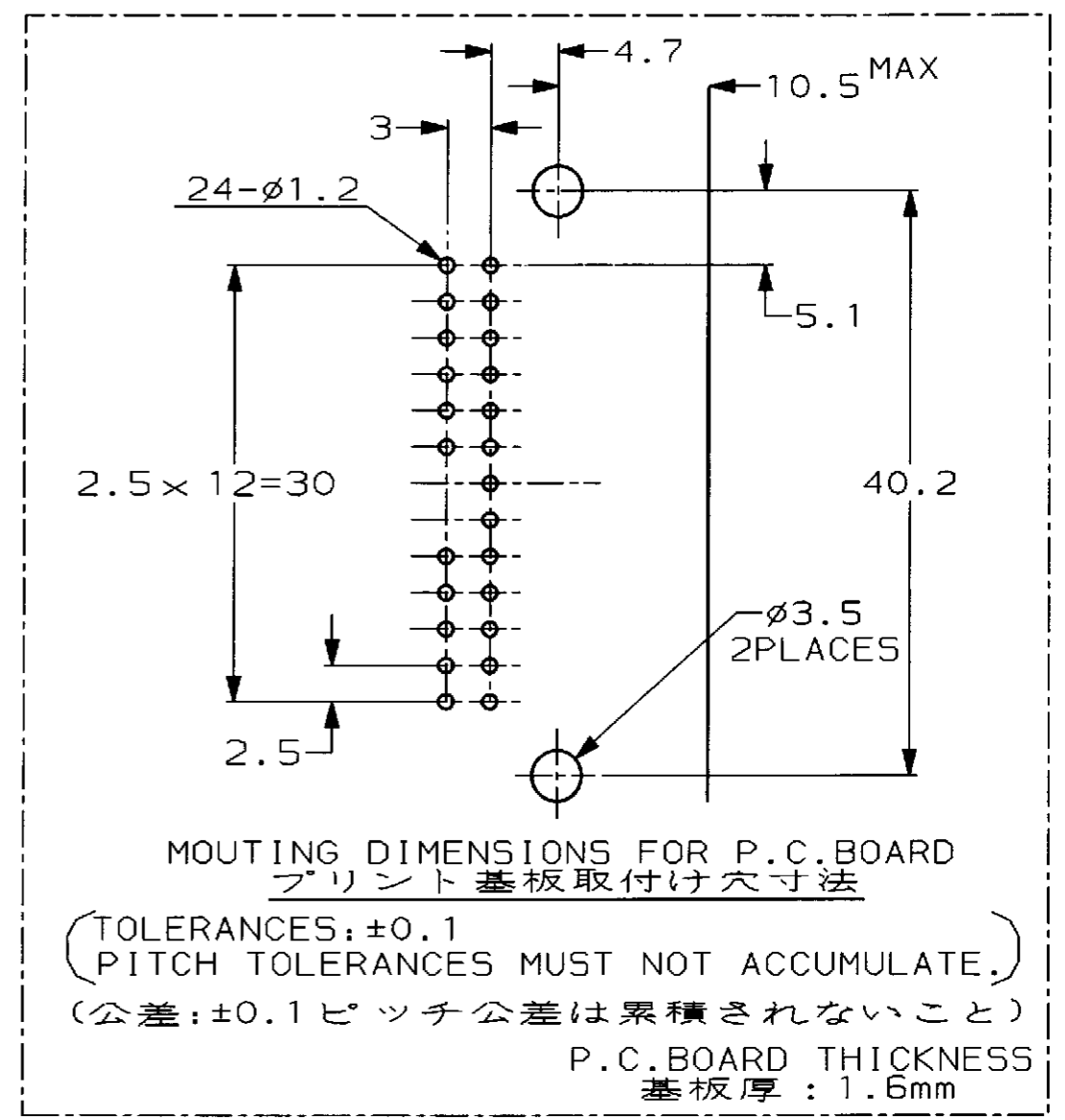
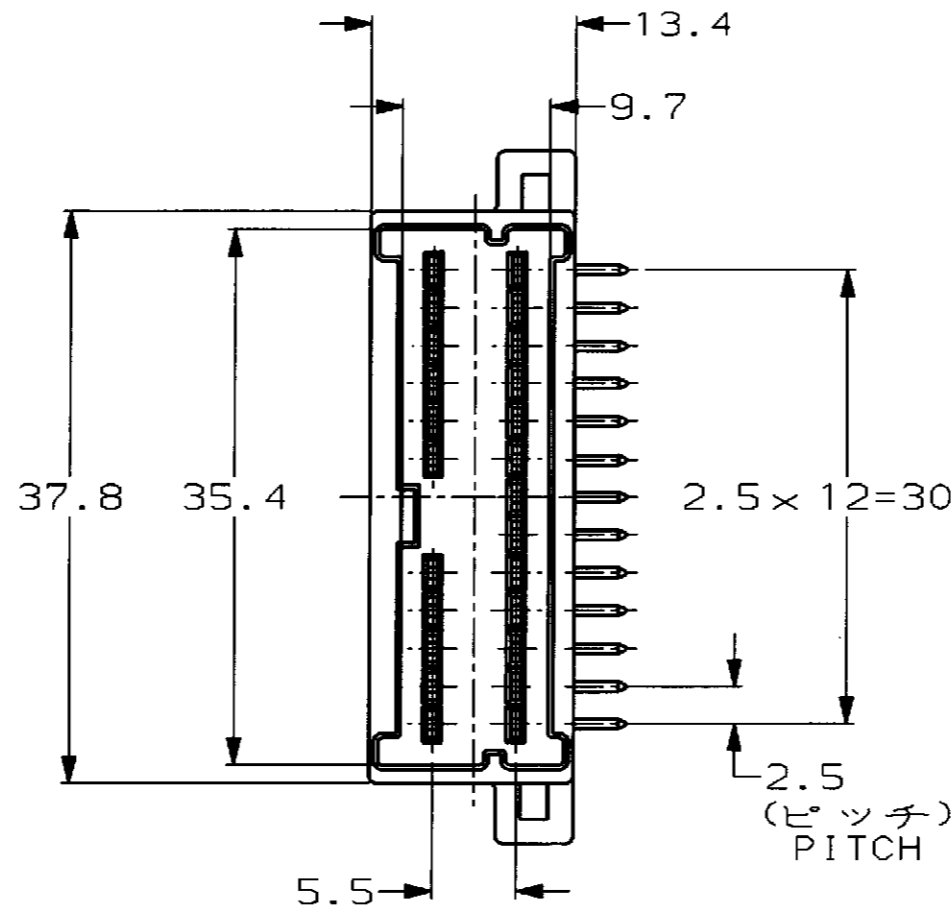
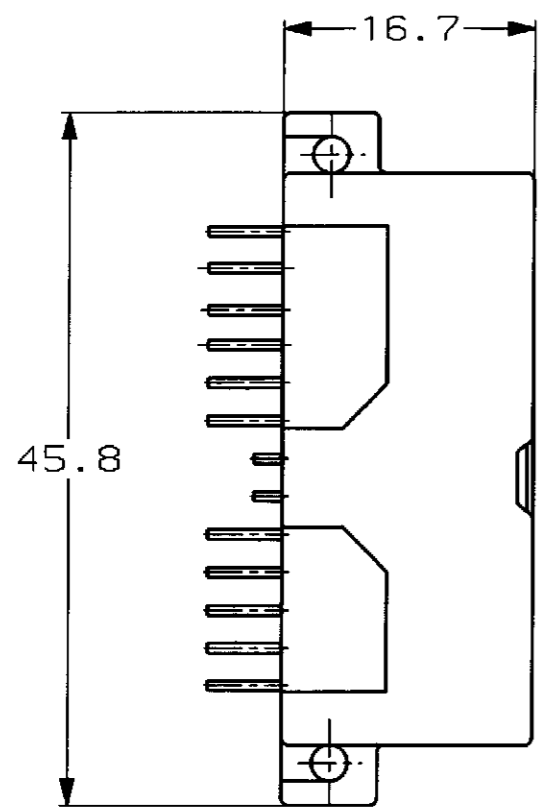


LOC J

REVISIONS					
P	LTR	DESCRIPTION	ECN	DATE	OWN
A		再作成 REDRAWN	FJ00-0506-98	08APR98	[Signature]



- 1 RECOMMENDED MOUNTING SCREW: PAN-HEADED, TYPE 2 TAPPING SCREW OF 3DIA X 6LENGTH (JIS B1115, B1122), TIGHTENING TORQUE: 39.2N-cm [4Kg-cm] MAX
- 1 推奨取付ネジ: JIS B1115, B1122タッピングねじ, なべ2種, 呼び径3, 長さ6, 締付トルク: 39.2N-cm [4Kg-cm]以下

1123393-6	灰色 (GRAY)	1123435-6
嵌合相手ハウジング型番 MATING HOUSING PART NUMBER	色 (COLOR)	型番 PART NUMBER

THIS DRAWING IS A CONTROLLED DOCUMENT FOR AMP INCORPORATED. IT IS SUBJECT TO CHANGE AND THE CONTROLLING ENGINEERING ORGANIZATION SHOULD BE CONTACTED FOR THE LATEST REVISION.		CHK [Signature]	APVD [Signature]	<b>AMP</b> Kawasaki, Japan
DIMENSIONS 単位・規 mm	TOLERANCES UNLESS OTHERWISE SPECIFIED 一般公差 10mm : ±0.2 30mm : ±0.25 100mm : ±0.3 ANGLE : ±0.3°	PRODUCT SPEC 製品規格 108-5603	APPLICATION SPEC 取付適用規格	
MATERIAL 材料 PBT	FINISH 仕上	WEIGHT 6.3g	SIZE A3	CAGE CODE 00779
CUSTOMER DRAWING			DRAWING NO 番号 C-1123435	RESTRICTED TO -