

THIS DRAWING IS UNPUBLISHED.

RELEASED FOR PUBLICATION

ALL RIGHTS RESERVED.

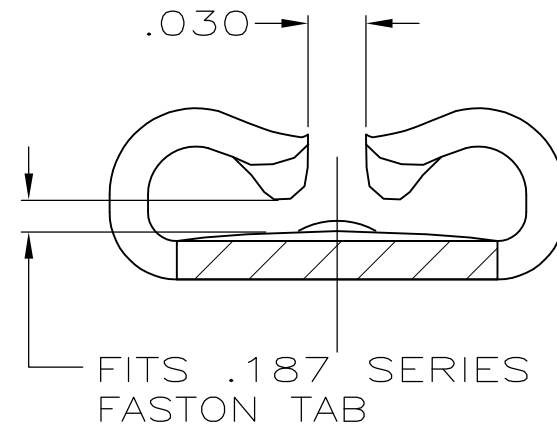
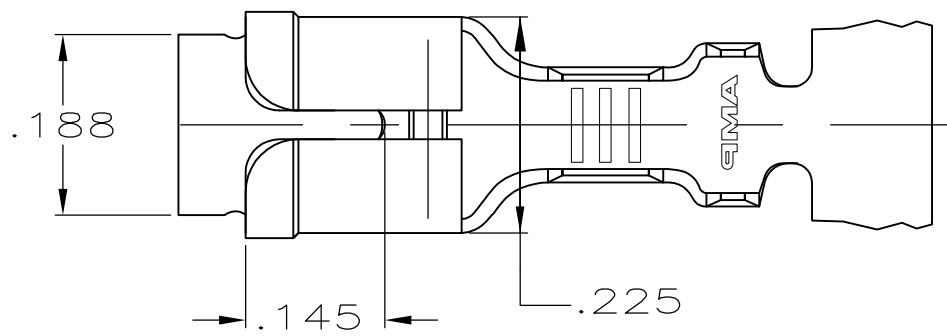
© COPYRIGHT - By -

LOC AF DIST 50

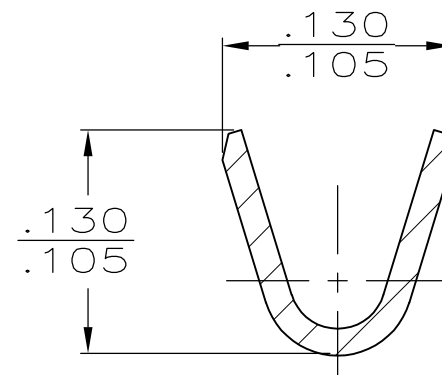
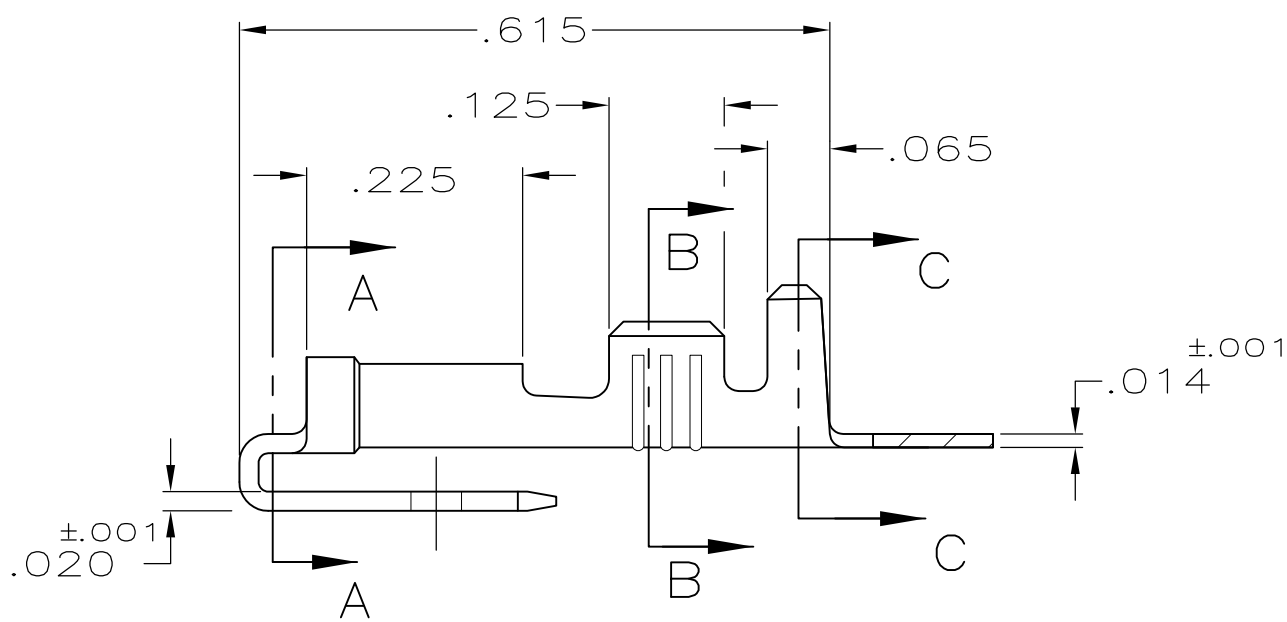
REVISIONS

P	LTR	DESCRIPTION	DATE	DWN	APVD
D		REVISED PER ECR-12-013459	27NOV2012	KH	PD

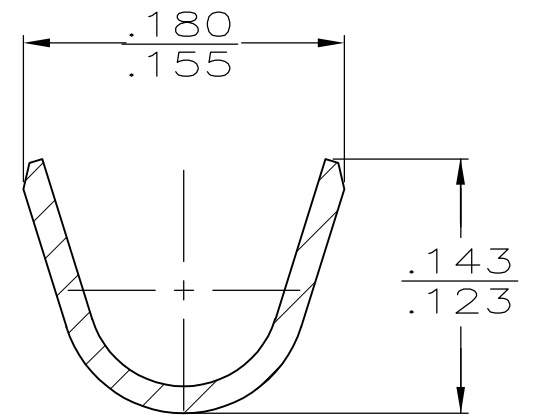
1 CONTINUOUS STRIP ON REELS.



SECTION A-A  
SCALE 10:1




SECTION B-B  
SCALE 10:1



SECTION C-C  
SCALE 10:1

.060-.110 DIA	20-16 AWG	.020	62139-1
INSULATION RANGE	WIRE SIZE	MATING TAB THK ±.001	PART NO.

THIS DRAWING IS A CONTROLLED DOCUMENT.		DWN JR RUTH 9/6/91	 <b>TE Connectivity</b> RECEPTACLE & TAB, FASTON, PIGGYBACK, .187 SERIES		
DIMENSIONS: INCHES		CHK MS FEHER 9/6/91			NAME
TOLERANCES UNLESS OTHERWISE SPECIFIED:		APVD C MEYERS 9/6/91			PRODUCT SPEC
0 PLC ± - 1 PLC ± - 2 PLC ± - 3 PLC ± .015 4 PLC ± - ANGLES ± -		APPLICATION SPEC			RESTRICTED TO
MATERIAL BRASS		FINISH TIN	WEIGHT -	SIZE A3 CAGE CODE 00779 DRAWING NO C-62139	
CUSTOMER DRAWING			SCALE 5:1	SHEET 1 OF 1 REV D	