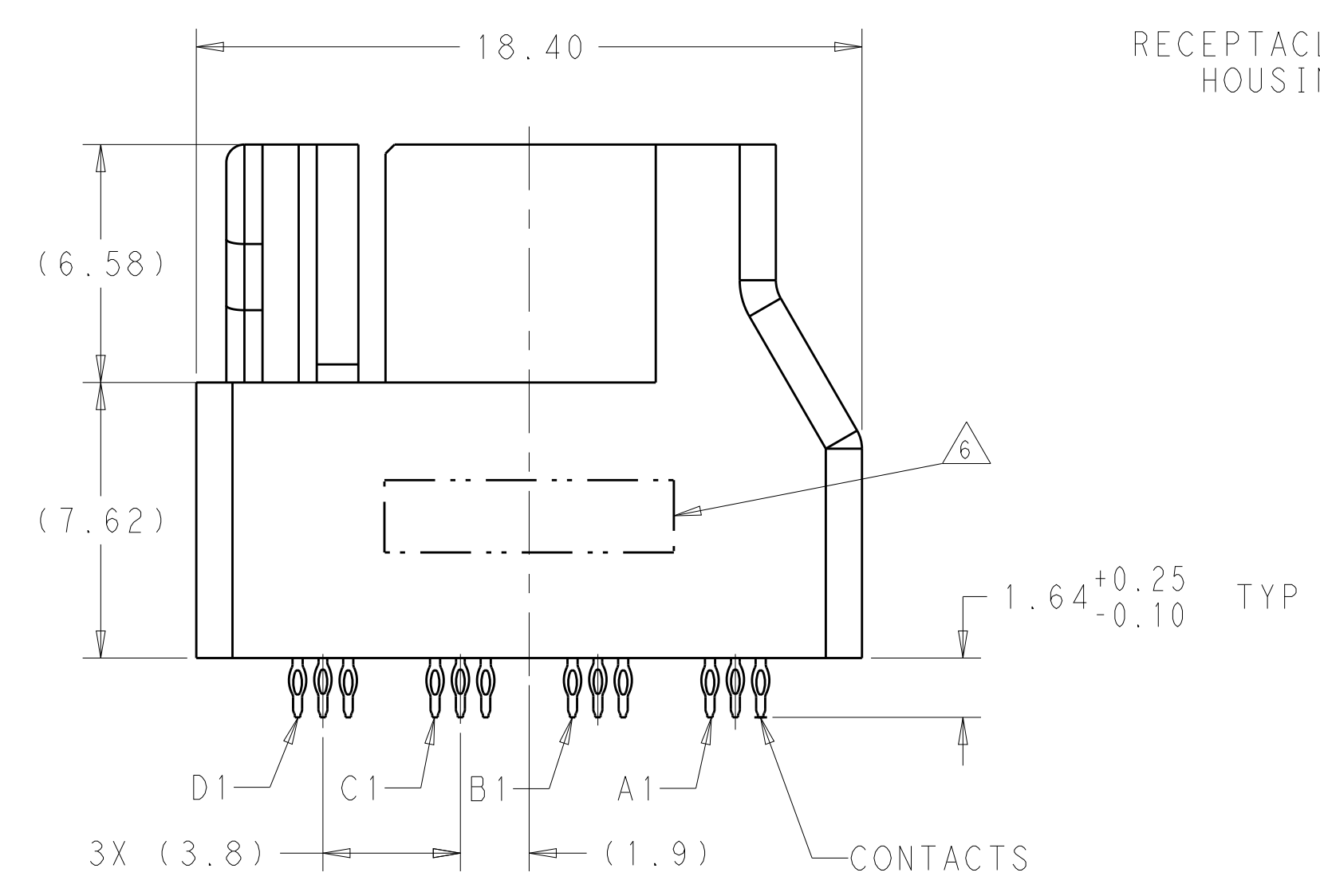
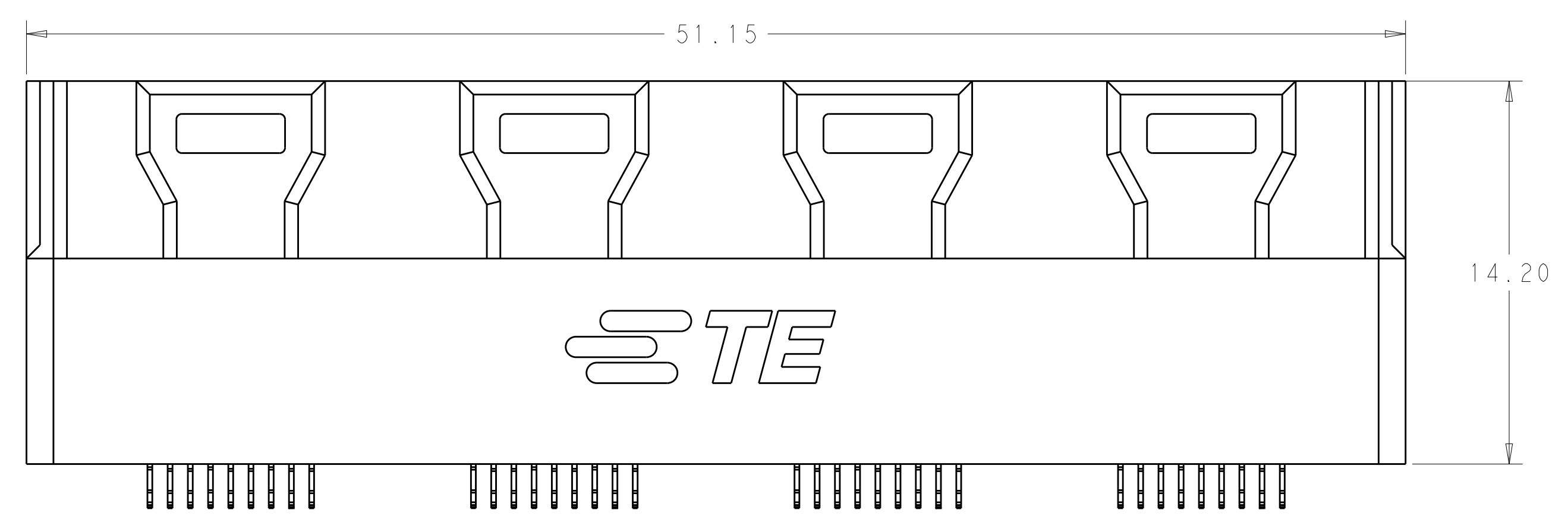
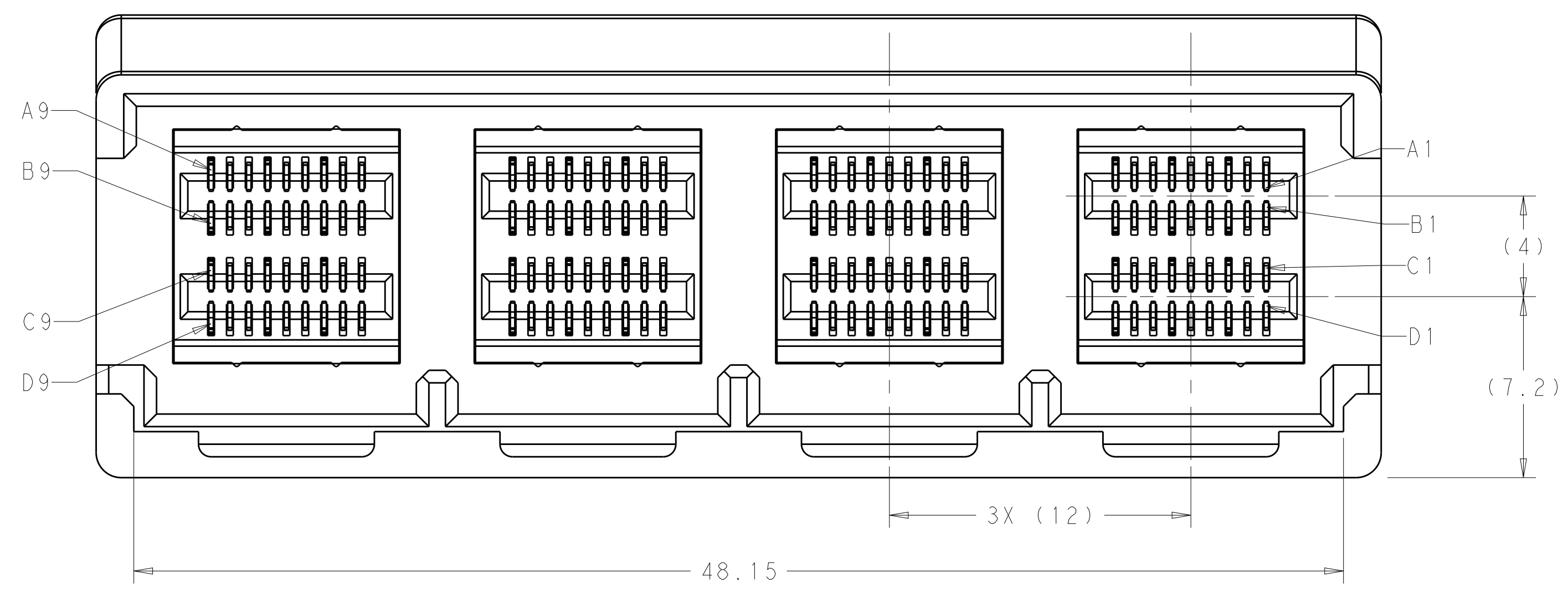
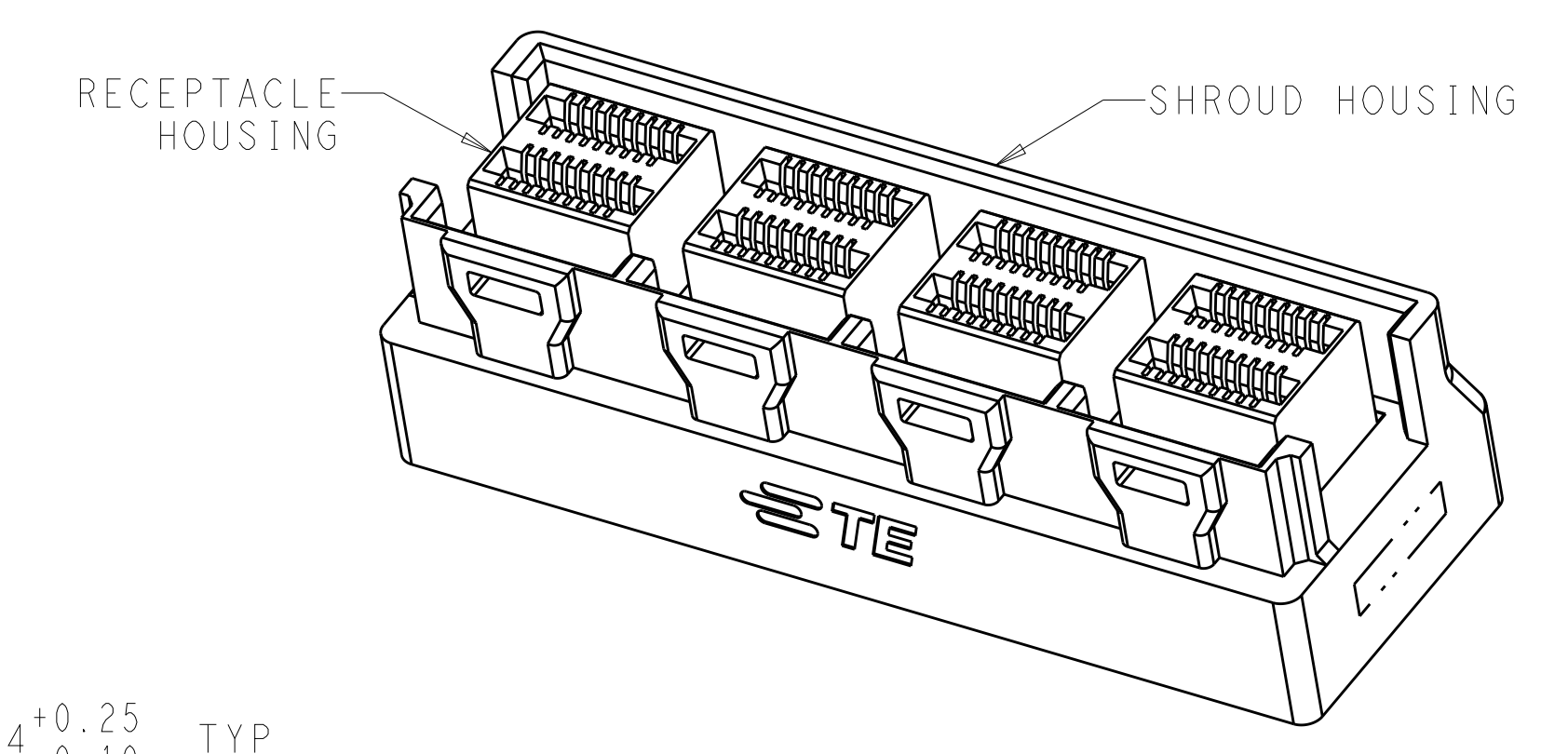


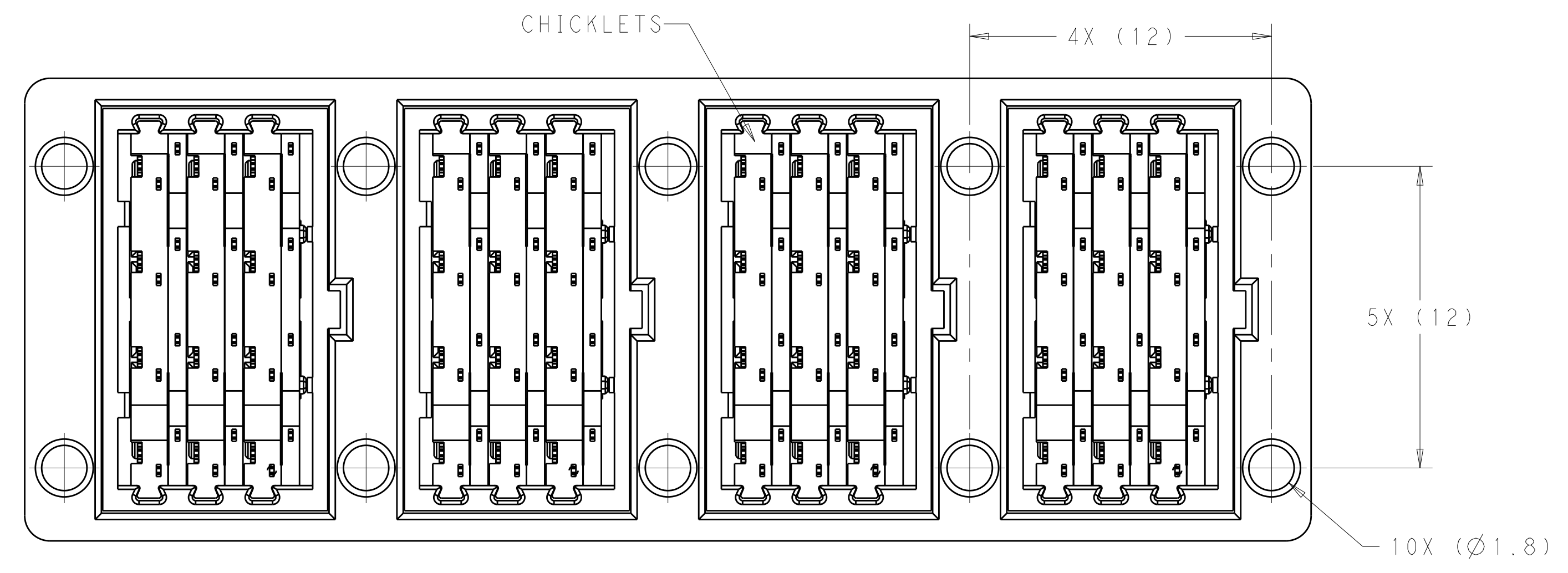
LOC	DIST	REVISIONS					
GP	00	P	LTN	DESCRIPTION	DATE	DWN	APVD
		A		REVISED PER ECO-15-000199	13JAN2015	AP	DG



- ⚠ HOUSINGS AND CHICKLETS: LCP, BLACK, UL94V-0 RATED. CONTACTS: COPPER ALLOY.
- ⚠ CONFORMS TO THE REQUIREMENTS OF TE PRODUCT SPECIFICATION, 108-32038 BASED ON EIA/ECA-364-1000.01A (CONTROLLED ENVIRONMENT APPLICATIONS) ON MATING END. TIN PLATED ON PCB TAIL.
- 3. MATES WITH TE PLUG 2227603-1.
- 4. MOUNTING HARDWARE M2x1.35 SELF-THREADING SCREW. SCREW LENGTH OF FASTENER = PCB THICKNESS + 3.0mm MAX (1.75mm MIN) MOUNTING HARDWARE NOT INCLUDED.
- ⚠ RECOMMENDED COMPONENT KEEP OUT ZONE.
- ⚠ PART NUMBER AND DATE CODE MARKED IN APPROXIMATE AREA SHOWN.



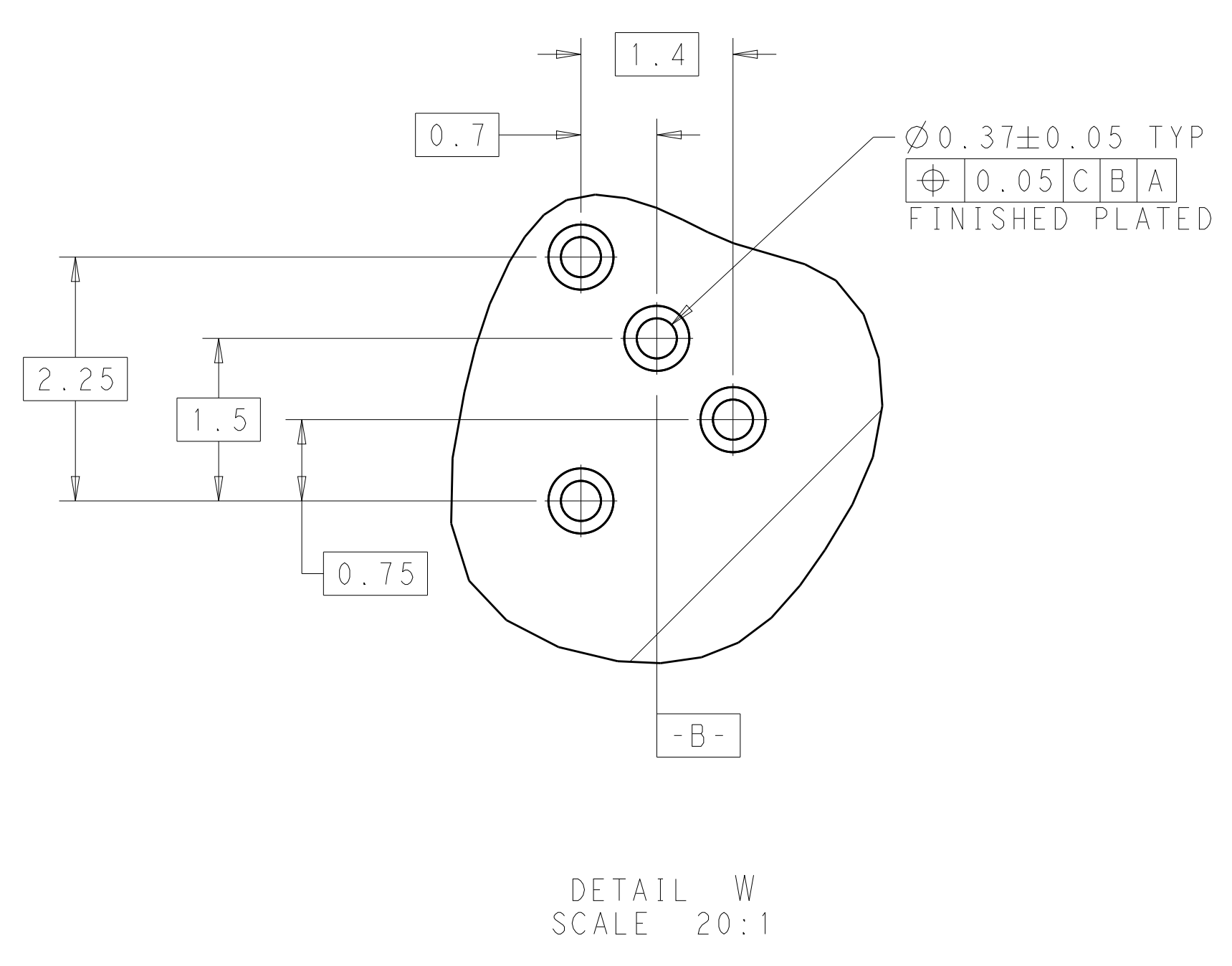
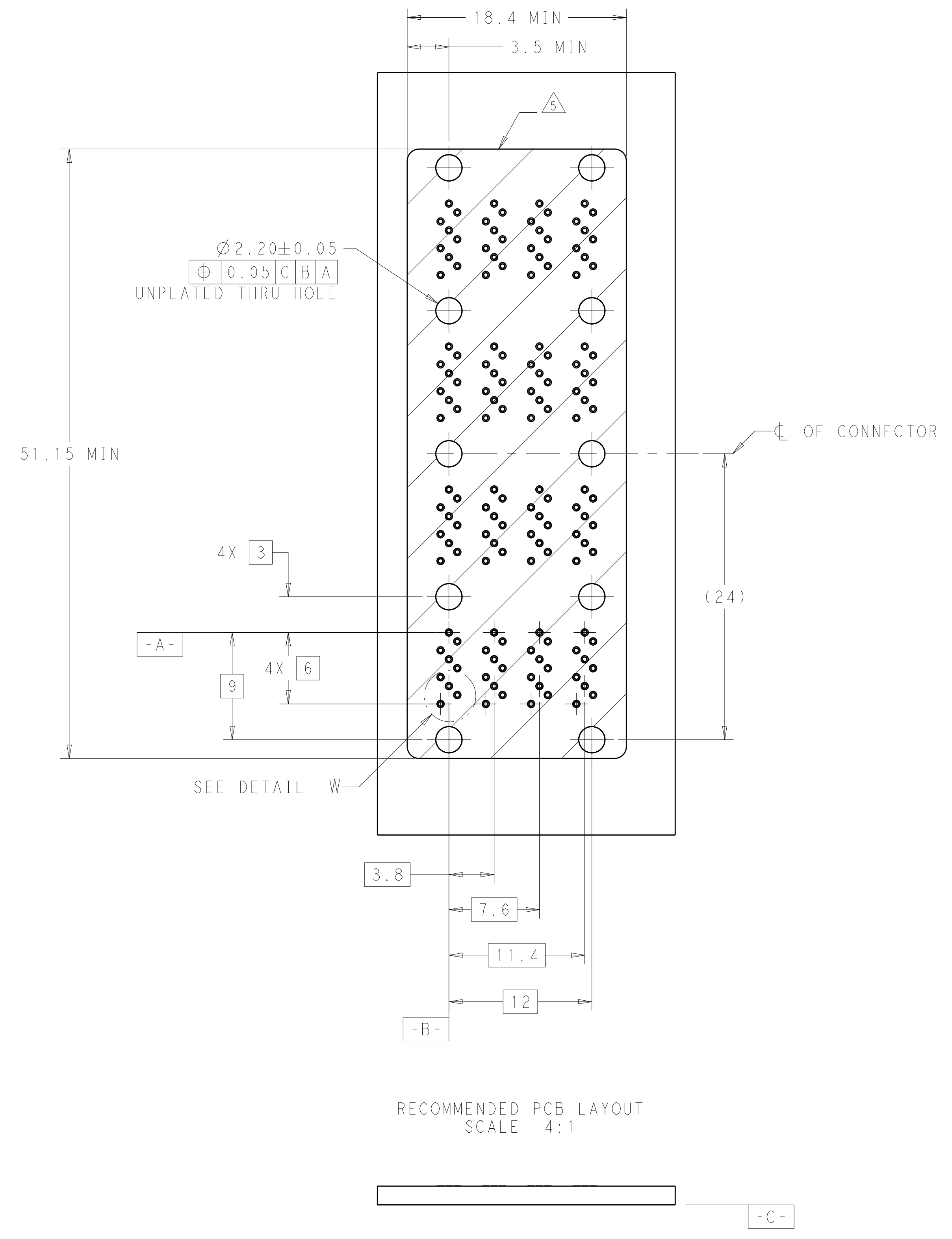
SCALE 3:1



2227642-1
PART NUMBER

THIS DRAWING IS A CONTROLLED DOCUMENT.		DWN: R. TREA 02JAN2013	TE Connectivity
		CHK: R. HENRY 02JAN2013	
DIMENSIONS:		NAME: RECEPTACLE ASSEMBLY, 1X4, VERTICAL, INTERNAL MINI SAS HD	
TOLERANCES UNLESS OTHERWISE SPECIFIED:		PRODUCT SPEC: 108-32038	
mm		APPLICATION SPEC: 114-32101	
0 PLC ±		SIZE: CAGE CODE: DRAWING NO: A100779C=2227642	
1 PLC ±.13		RESTRICTED TO:	
2 PLC ±.13		WEIGHT:	
3 PLC ±0.013		SCALE: 6:1 SHEET 1 OF 2 REV A	
4 PLC ±		CUSTOMER DRAWING	
ANGLES ±			
FINISH:			
MATERIAL:			

LOC	DIST	REVISIONS			
P	LTN	DESCRIPTION	DATE	DWN	APVD
-	-	SEE SHEET 1	-	-	-



THIS DRAWING IS A CONTROLLED DOCUMENT.		DWN R. IREA 02JAN2013	TE Connectivity	
DIMENSIONS:		CHK R. HENRY 02JAN2013	NAME	
mm	TOLERANCES UNLESS OTHERWISE SPECIFIED:	APVD	RECEPTACLE ASSEMBLY, 1X4, VERTICAL, INTERNAL MINI SAS HD	
	0 PLC ±	PRODUCT SPEC	108-32038	
	1 PLC ±.13	APPLICATION SPEC	114-32101	
	2 PLC ±.13	SIZE	A100779C=2227642	
	3 PLC ±0.013	WEIGHT	CUSTOMER DRAWING	
	4 PLC ±	SCALE	4:1	
	ANGLES ±	SHEET	2 OF 2	
MATERIAL	FINISH	REV	A	