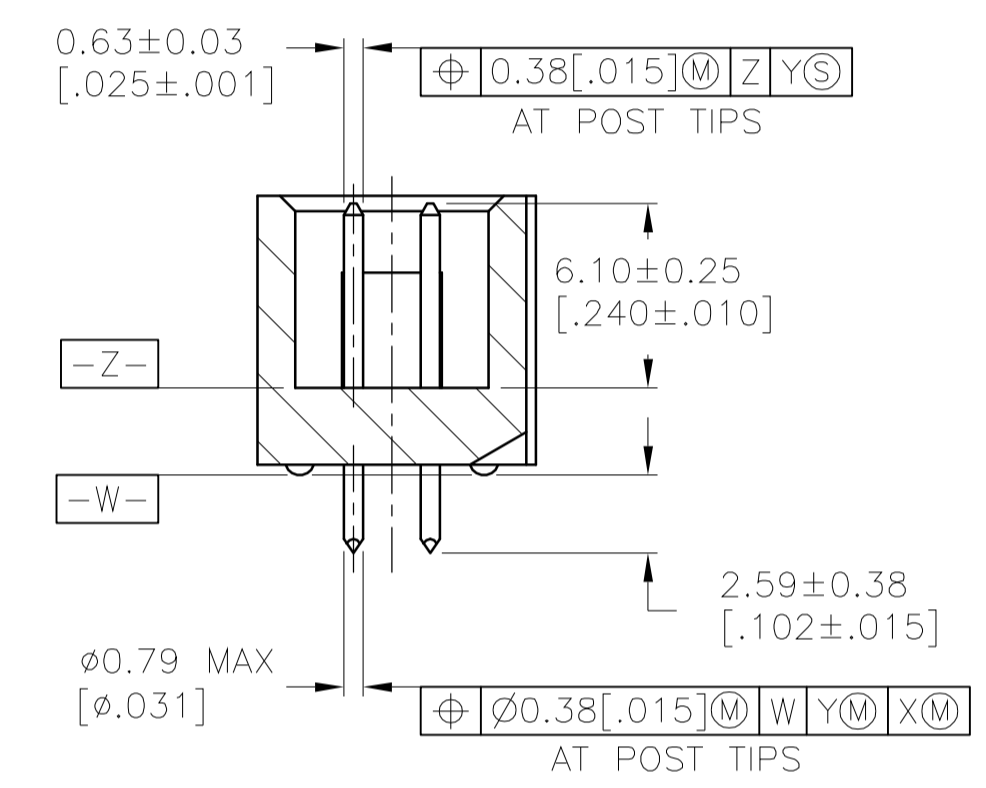
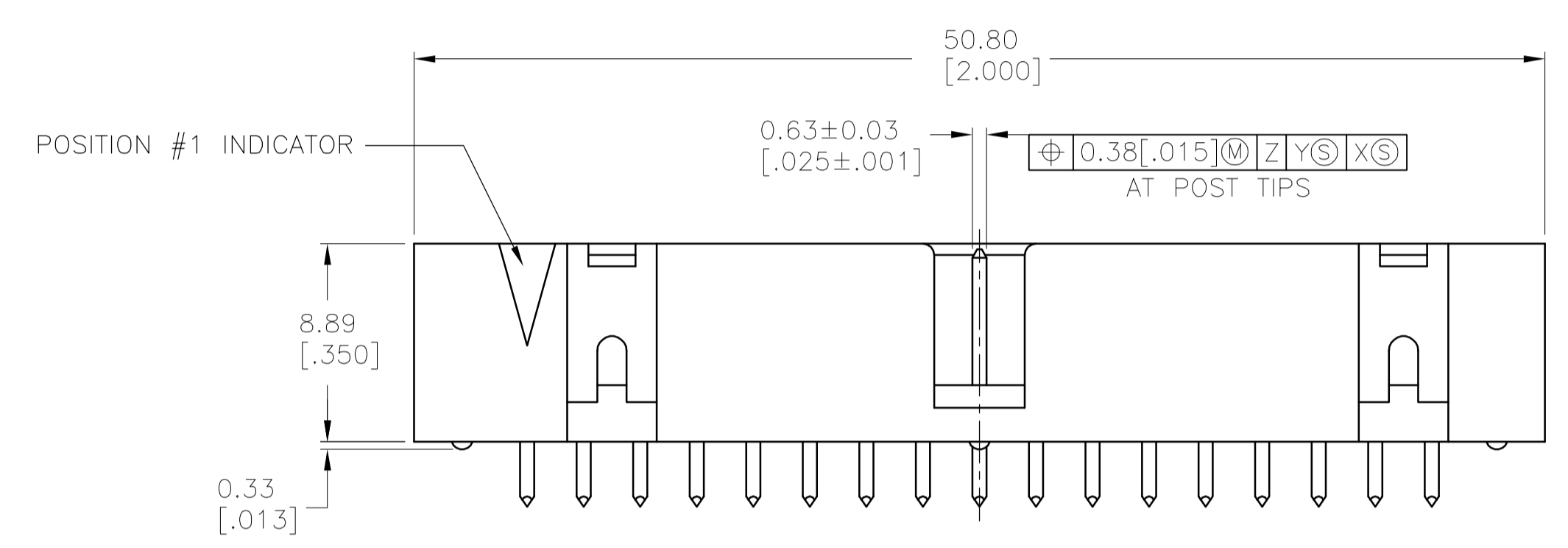
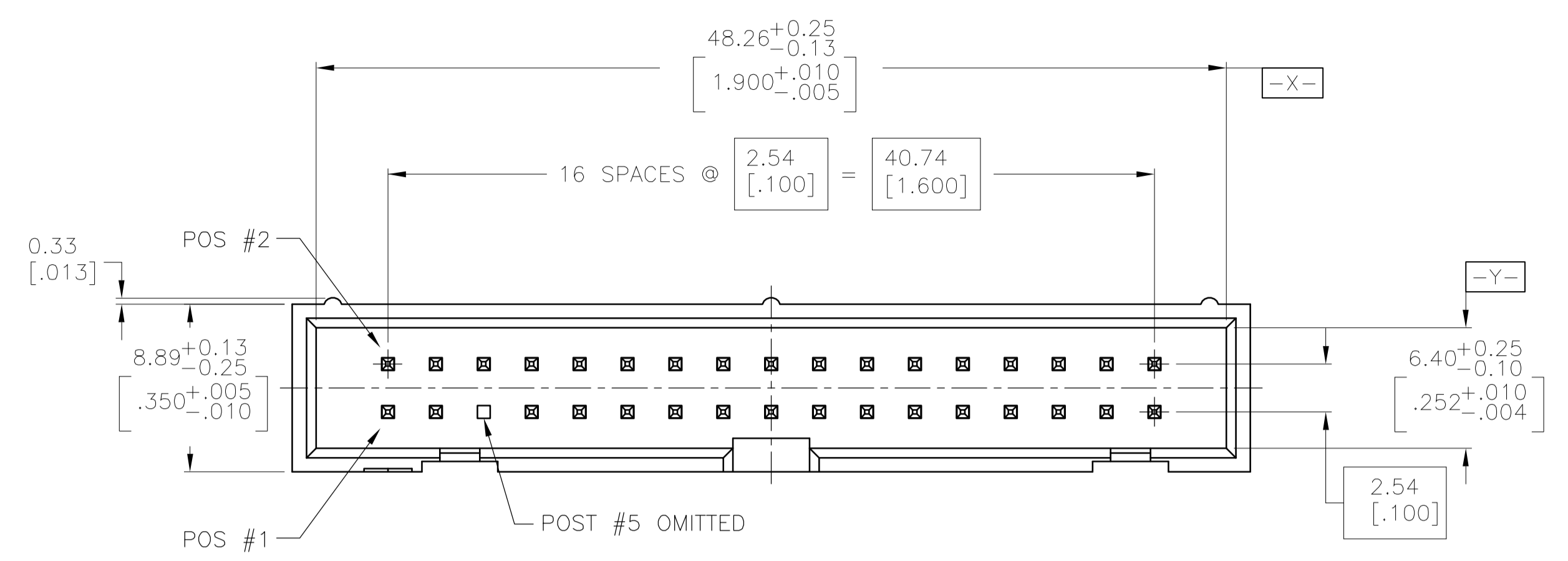
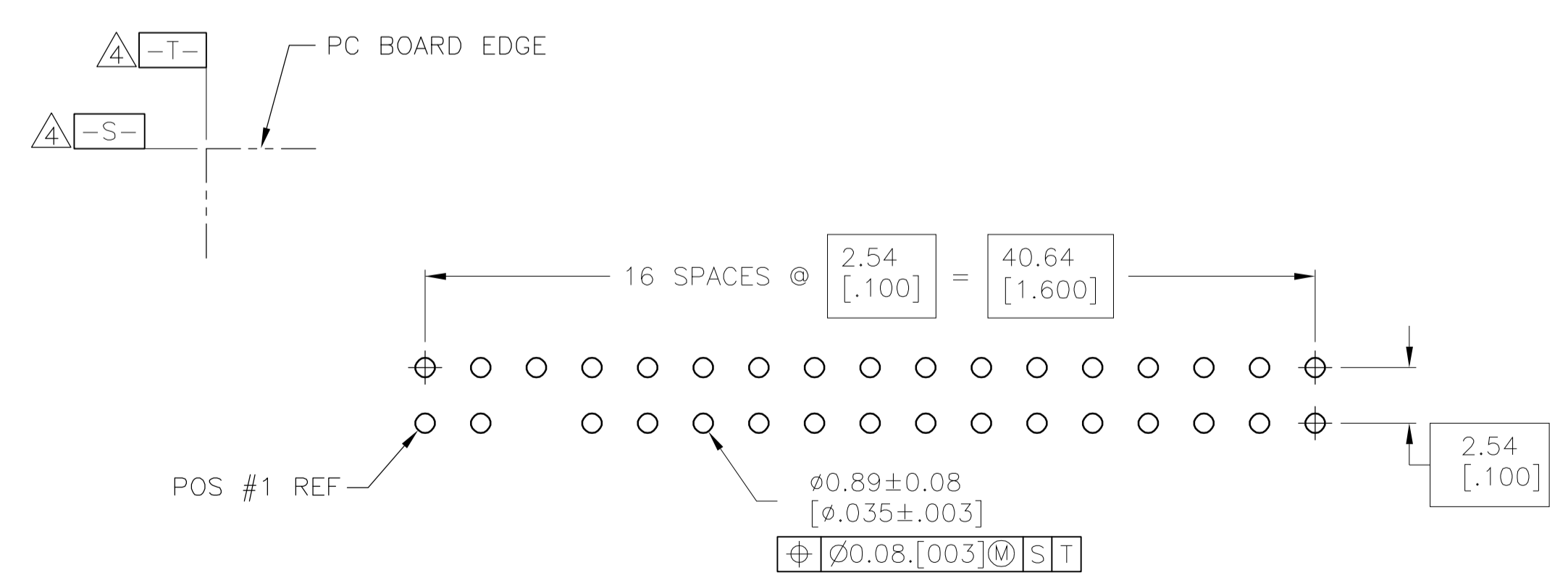


LOC		DIST		REVISIONS			
GP	00	REV	DATE	BY	APP'D		
A		REVISED PER EC 0512-0210-05	19JUL06	BM	SB		



- △ HOUSING: PBT, UL94V-0, COLOR BLACK.
- POSTS: PHOSPHOR BRONZE.
- △ GOLD FLASH ON MATING AREA, 0.00254[.000100] MIN TIN ON SOLDER END, ALL OVER 0.00127[.000050] MIN NICKEL ON ENTIRE POST.
- △ 0.00038[.000015] MIN GOLD ON MATING AREA, 0.00254[.000100] MIN TIN ON SOLDER END, ALL OVER 0.00127[.000050] MIN NICKEL ON ENTIRE POST.
- △ DATUMS S & T TO BE ESTABLISHED BY CUSTOMER.



RECOMMENDED PC BOARD LAYOUT
(VIEWED FROM CONNECTOR SIDE)

OBSELETE	△	1761664-2
	△	1761664-1
	△	PART NUMBER

THIS DRAWING IS A CONTROLLED DOCUMENT.		DIN J.GERACE 26APROS	Tyco Electronics Corporation Harrisburg, Pa 17105	
DIMENSIONS: MM(INCHES)		CIK S.BOLASH 26APROS	APVD M.WALMSLEY 26APROS	
TOLERANCES UNLESS OTHERWISE SPECIFIED:		NAME PRODUCT SPEC		
0 PLC ± -		APPLICATION SPEC		
1 PLC ± -		SIZE CAGE CODE DRAWING NO		
2 PLC ± -		RESTRICTED TO		
3 PLC ± 0.13(.005)		A1 00779 C=1761664		
4 PLC ± ± -		CUSTOMER DRAWING		
ANGLES ± ± -		SCALE 4:1 SHEET 1 OF 1 REV A		
MATERIAL FINISH POSTS: SEE TABLE		WEIGHT		