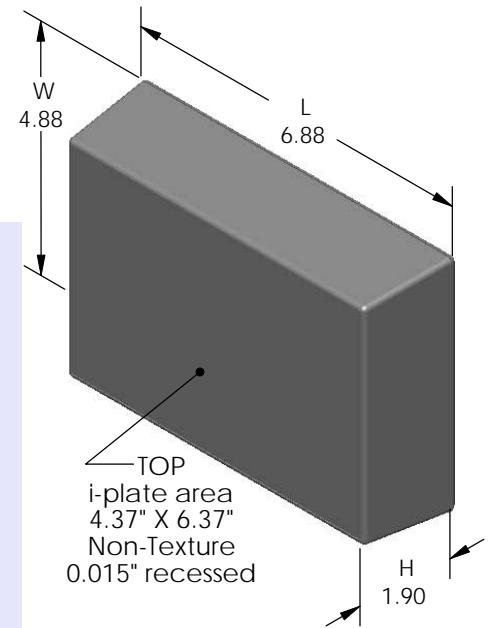
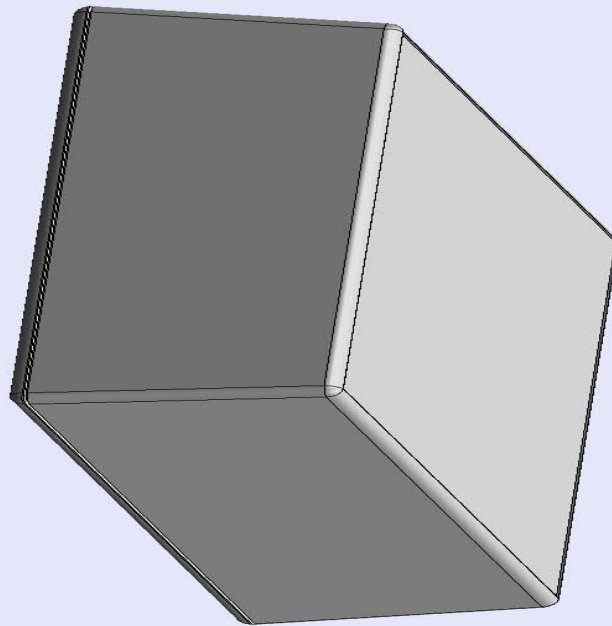


# SERPAC 073i (exploded isometric)

Electronic Enclosures

- Click on image to show toolbar. Use ▶ || to Play/Pause Animation.
- Left click and drag on image to move 3D model.



- a) Zoom in & out with center wheel.
- b) Pause at any moment to view and or print views.
- c) Change the views to ortho and section views if needed from the Views pull down menu.
- d) Explore options included in the tool bar like: Views, Transparency of model, Lighting type, etc.

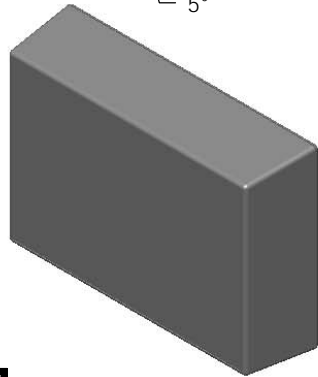
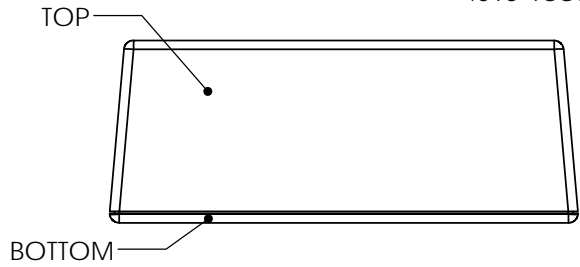
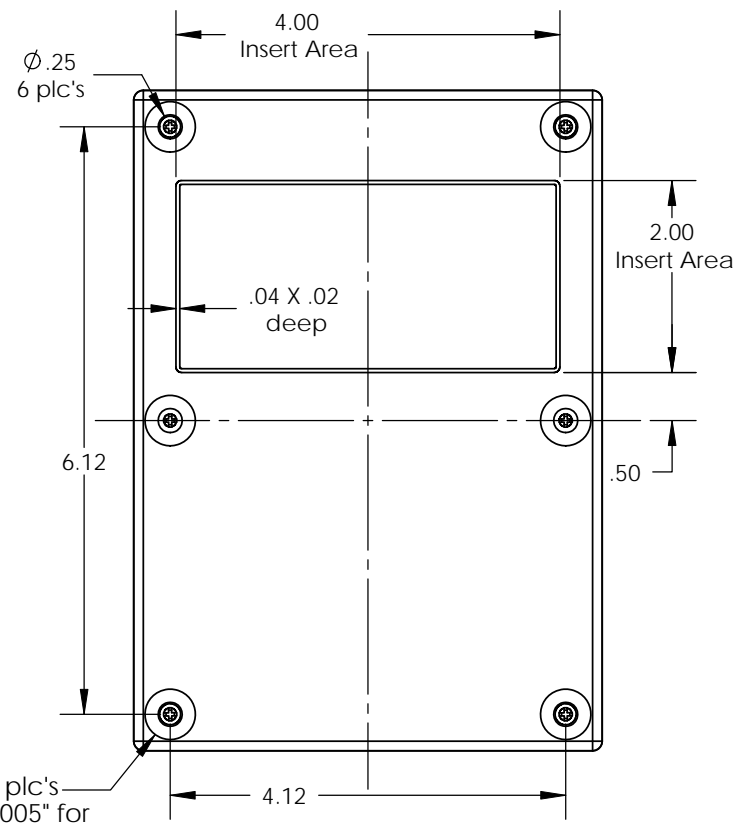
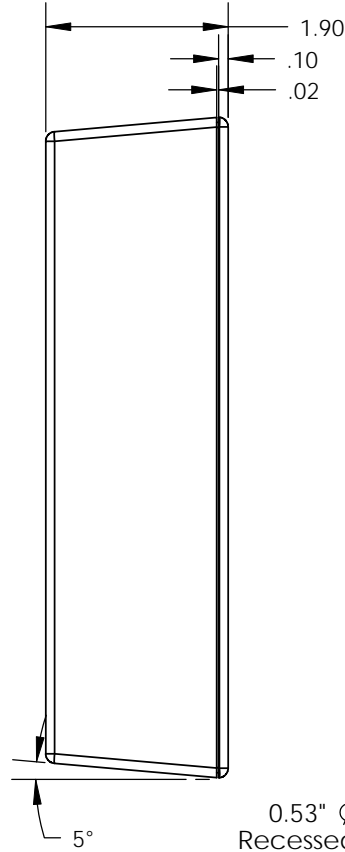
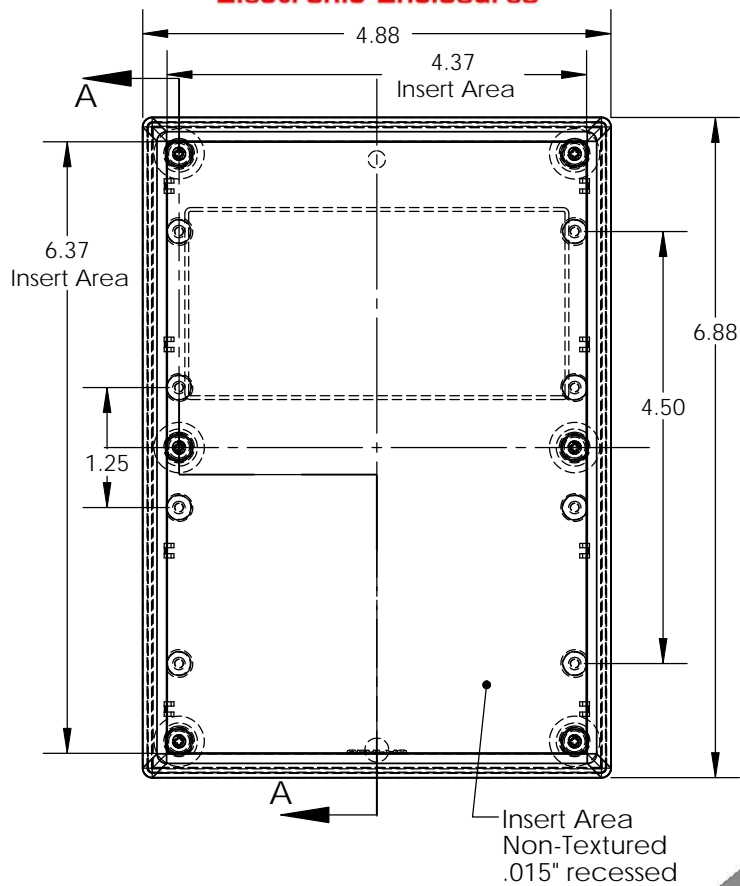
PART NO.	DESCRIPTION (Included)	ACCESSORIES (Optional)	
7-3-i	TOP	PART NO.	DESCRIPTION
07	BOTTOM	51	Non-skid Feet
6005	#4X3/8" Self tapping (6)	370	Prototype grid board (bottom)
		470	Prototype clad board (bottom)

Notes: Enclosure weight .41 lbs / 188 gm  
 1) Enclosure meets or exceeds IP40 and NEMA 1  
 2) Circuit Board drawings can be download at:  
 Top: <http://www.serpac.com/Accessories/CircuitBoard/drawings/X73.pdf>  
 Bottom: <http://www.serpac.com/Accessories/CircuitBoard/drawings/370-470.pdf>  
 3) All components are RoHS Compliant.

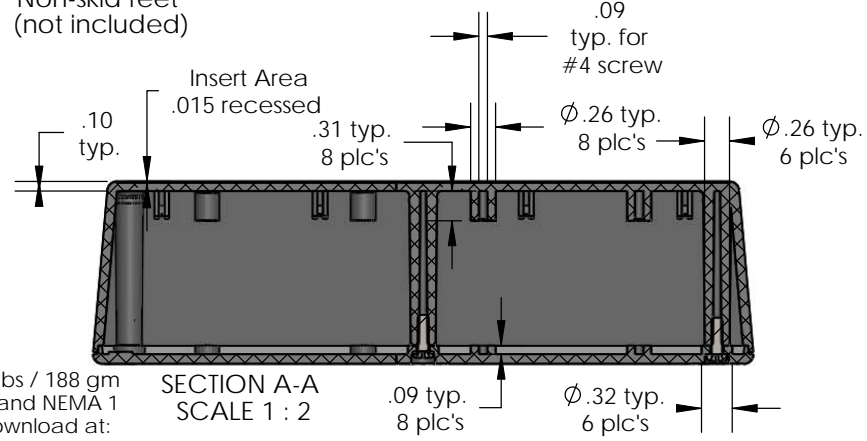
**ALL DIMENSIONS ARE ± .010" 3/17/10 (1 of 2)**  
**619 Commercial Ave. Covina, CA 91723**  
 Ph. (626) 331-0517 Fx. (626) 331-8584 [serpac.com](http://serpac.com)

# SERPAC 073i (user print)

Electronic Enclosures



0.53"  $\phi$  6 plc's  
Recessed 0.005" for  
Non-skid feet  
(not included)



PART NO.	DESCRIPTION (Included)	ACCESSORIES (Optional)	
7-3-i	TOP	PART NO.	DESCRIPTION
07	BOTTOM	51	Non-skid Feet
6005	#4X3/8" Self tapping (6)	370	Prototype grid board (bottom)
		470	Prototype clad board (bottom)

Notes: Enclosure weight .41 lbs / 188 gm  
 1) Enclosure meets or exceeds IP40 and NEMA 1  
 2) Circuit Board drawings can be download at:  
 Top: <http://www.serpac.com/Accessories/CircuitBoard/drawings/X73.pdf>  
 Bottom: <http://www.serpac.com/Accessories/CircuitBoard/drawings/370-470.pdf>  
 3) All components are RoHS Compliant.

ALL DIMENSIONS ARE  $\pm .010"$  3/17/10 (2 of 2)  
 619 Commercial Ave. Covina, CA 91723  
 Ph. (626) 331-0517 Fx. (626) 331-8584 www.serpac.com