

THIS DRAWING IS UNPUBLISHED.

RELEASED FOR PUBLICATION

---


© COPYRIGHT - By -

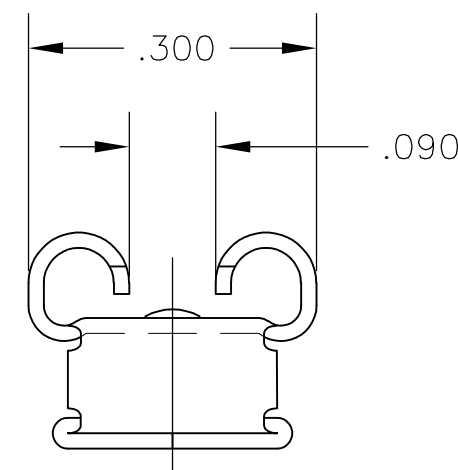
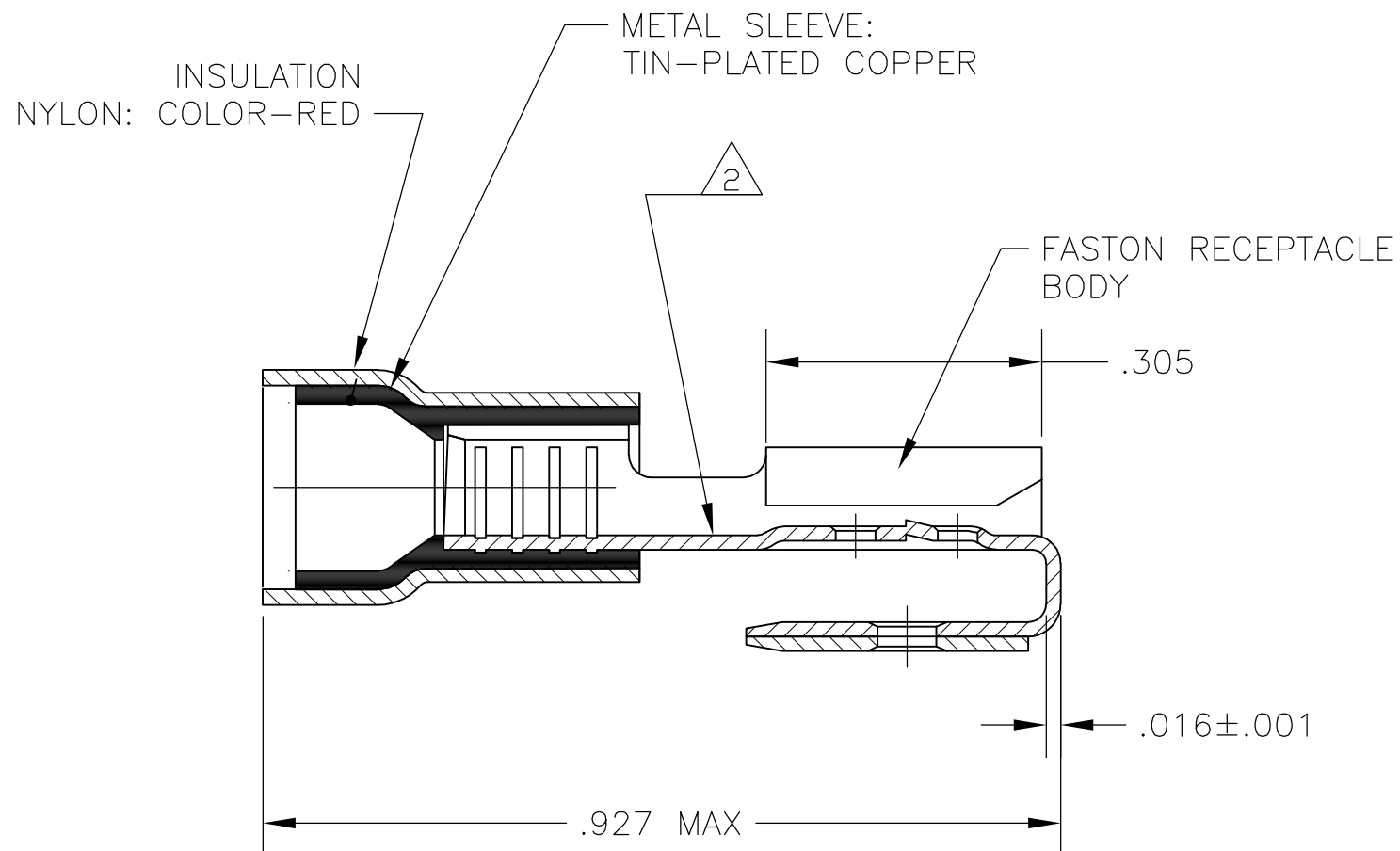
ALL RIGHTS RESERVED.


LOC G DIST 86


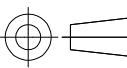
REVISIONS

P	LTR	DESCRIPTION	DATE	DWN	APVD
	C2	REVISED PER ECO-11-004820	11MAR11	RK	HMR

- 1 MATING TAB THICKNESS .032
- 2  ASTERISK \* FOR PHOS BRONZE ITEMS ONLY.
- 3 WIRE INSULATION DIA TO BE .140 MAX
- 4 MAX RECOMMENDED OPERATING TEMP IS 105°C OR 221°F
- 5 VOLTAGE RATING IS 300V MAX
- 6 CIRCULAR MIL AREA 0.3-1,5mm2 [592-2960]



TIN PLATING	PHOS BRONZE 	160834-5
TIN PLATING	BRASS	160834-2
FINISH - TERMINAL	FASTON RECEPTACLE MATERIAL	PART NO

THIS DRAWING IS A CONTROLLED DOCUMENT.		DWN jr_ruth 22FEB06	 TE Connectivity NAME 250 SERIES P.I.D.G. FASTON REC, ASS'Y, PIGGYBACK, LOOSE PIECE WIRE SIZE: 22-16 AWG				
DIMENSIONS: INCHES		CHK T MICHELUTTI 22FEB06				APVD T MICHELUTTI 22FEB06	RESTRICTED TO
		PRODUCT SPEC				SIZE A3	
MATERIAL SEE TABLE		APPLICATION SPEC				CAGE CODE 00779	
TOLERANCES UNLESS OTHERWISE SPECIFIED:		WEIGHT -		DRAWING NO C-160834			
0 PLC ± -	1 PLC ± -	CUSTOMER DRAWING		SCALE 5:1			
2 PLC ± .02	3 PLC ± .008	FINISH SEE TABLE		SHEET 1 OF 1			
4 PLC ± -	ANGLES ± 0°30'			REV C2			