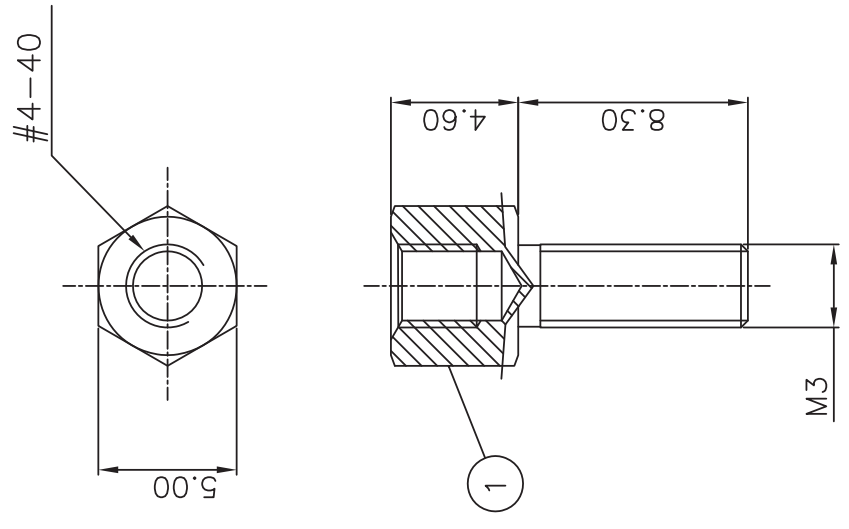


This document is the property of Amphenol Corporation and is delivered on the express condition that it is not to be disseminated, reproduced or used, in whole or in part, without the prior consent of Amphenol Corporation. Amphenol Corporation reserves the right to use any information in this document.



- ① 1 SCREWS
- ② 2 WASHERS
- ③ 1 LOCK WASHERS
- ④ 1 NUTS

REVISIONS		
SYM	ECN	DATE
1		08/17/07

D-SUB TECHNICAL DATA

*Material : steel
 Plating : tinned
 delivered separately
 1 P/N = 1 lockings
 2 lockings are necessary for one connector*

MARKING:
 Amphenol-...(Series No.)
 Commercial reference
 Manufacturing date

UNLESS OTHERWISE SPECIFIED	APPROVAL	DATE
TOLERANCES	DRAWN	16.08.07
U.S.	CHECKED	16.08.07
METRIC	CHECKED	16.08.07
.X +/-.050		
.XX +/-.030		
.XXX +/-.020		
FRACTIONS +/-.010		
ANGLES +/-.2°		
FOR MATERIALS AND FINISHES	DRAWING FILE :	
SEE NOTES	DRAWING: 08/17/07	
REMOVE SHARP EDGES	ANGLE OF PROJECTION	
DIMENSIONS	FIRST ANGLE	
TOLERANCES	FIRST ANGLE	
U.S.	FIRST ANGLE	
METRIC	FIRST ANGLE	

TITLE	Amphenol
Accessories, screwlock with nut and washes	
SIZE	A4
DRAWING NO.	C L17 D20 418 2 M3 EX
SCALE	NONE
SHEET	1 OF 1