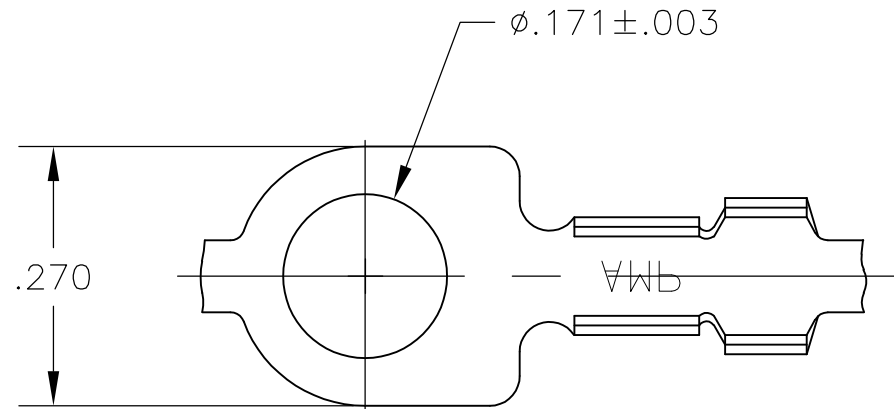
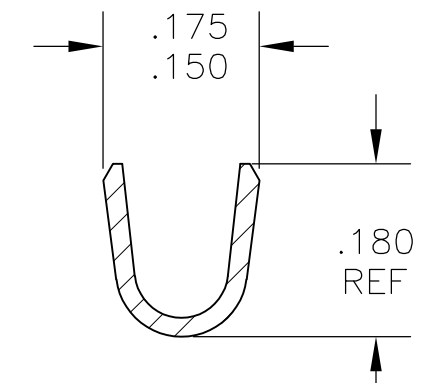
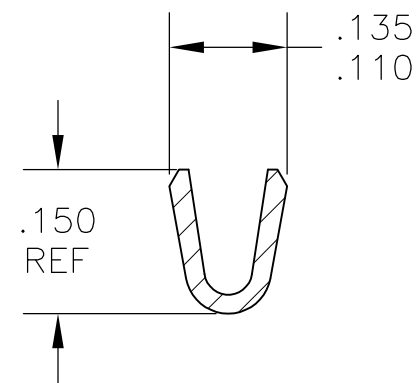
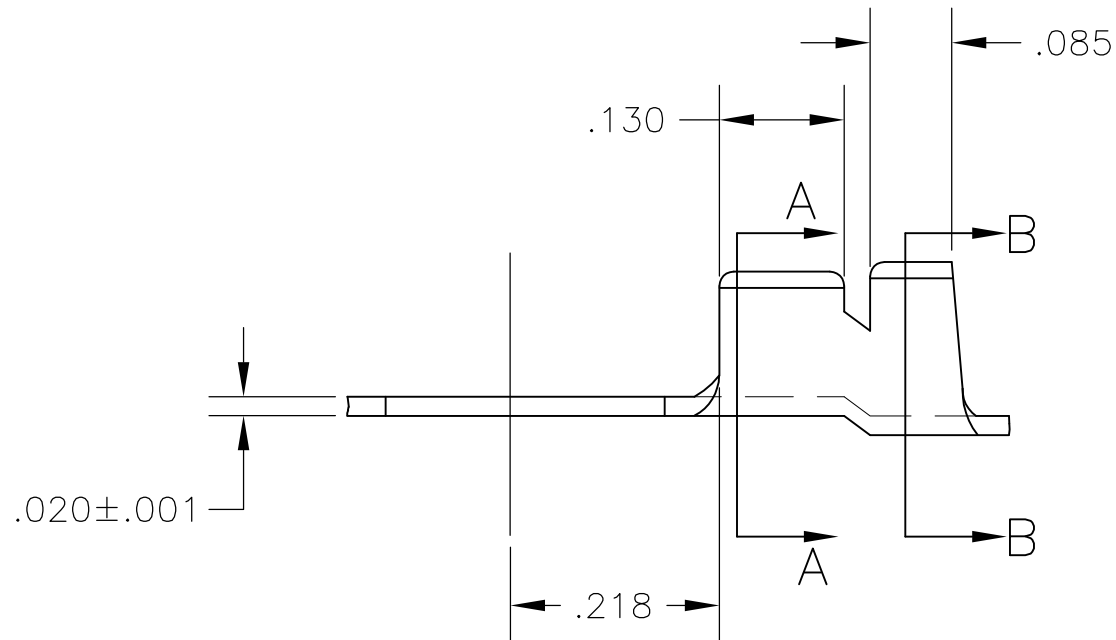


THIS DRAWING IS UNPUBLISHED. RELEASED FOR PUBLICATION
 © COPYRIGHT - BY TYCO ELECTRONICS CORPORATION. ALL RIGHTS RESERVED.

LOC	DIST	REVISIONS			
P	LTR	DESCRIPTION	DATE	DWN	APVD
AF	50	B	REVISED PER ECR-10-006099	07JUL10	HMR PD



1. CONTINUOUS STRIP ON REELS
2. WIRE SIZE IS #20-#16 AWG
3. INSULATION RANGE IS .075-.120 DIA



SECTION A-A

SECTION B-B

40888
 PART NO

THIS DRAWING IS A CONTROLLED DOCUMENT.		DWN jr_ruth 10MAR06	Tyco Electronics Corporation Harrisburg, PA 17105-3608				
DIMENSIONS: INCHES		CHK D DECKER 10MAR06				NAME	
		APVD D DECKER 10MAR06	PRODUCT SPEC				
TOLERANCES UNLESS OTHERWISE SPECIFIED: 0 PLC ± - 1 PLC ± - 2 PLC ± - 3 PLC ± .010 4 PLC ± - ANGLES ± 5°		APPLICATION SPEC		TERMINAL, RING			
MATERIAL 082 BRASS		FINISH TIN		SIZE A3	CAGE CODE 00779	DRAWING NO C-40888	RESTRICTED TO
CUSTOMER DRAWING				SCALE 5:1	SHEET 1 OF 1	REV B	