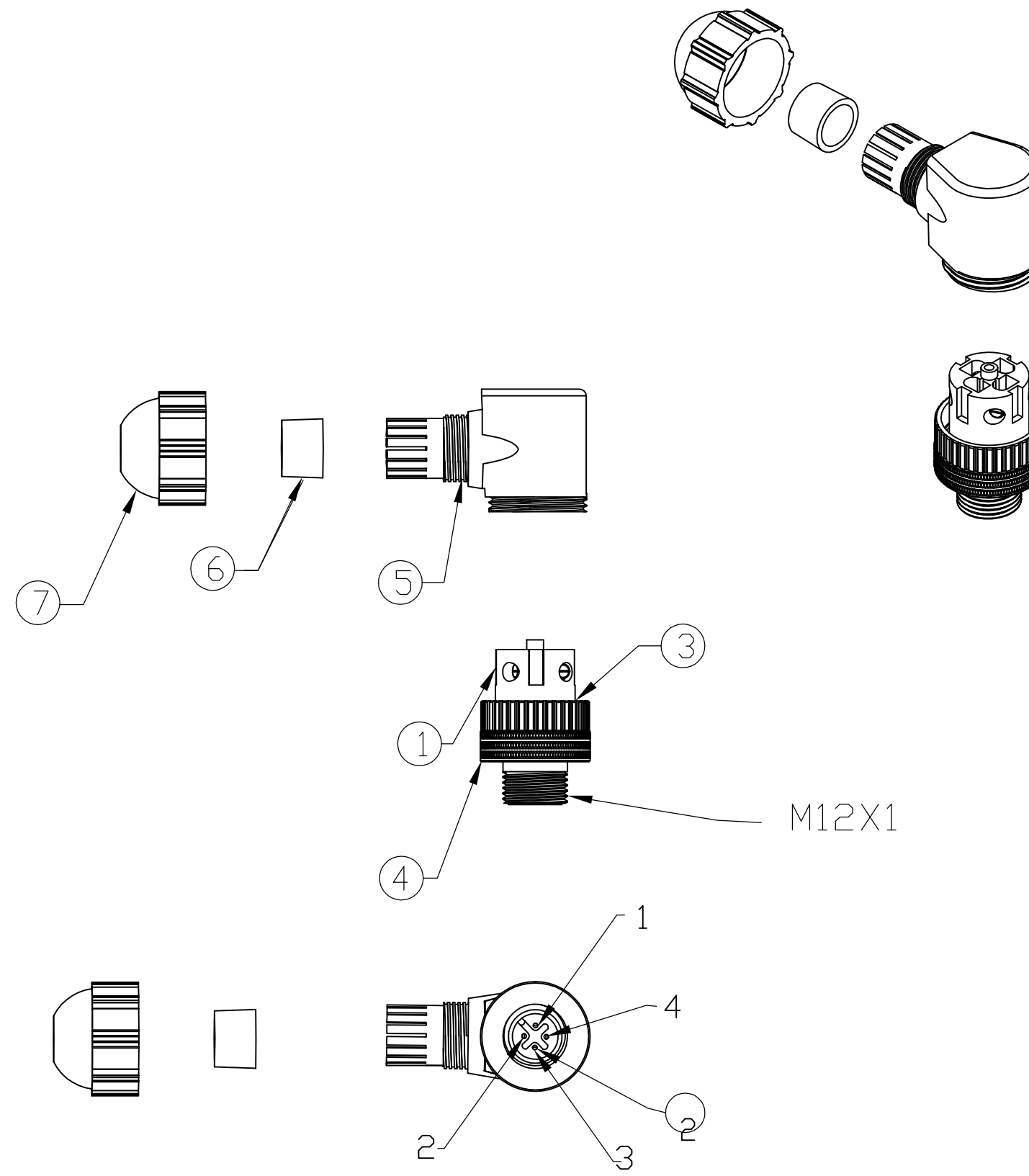
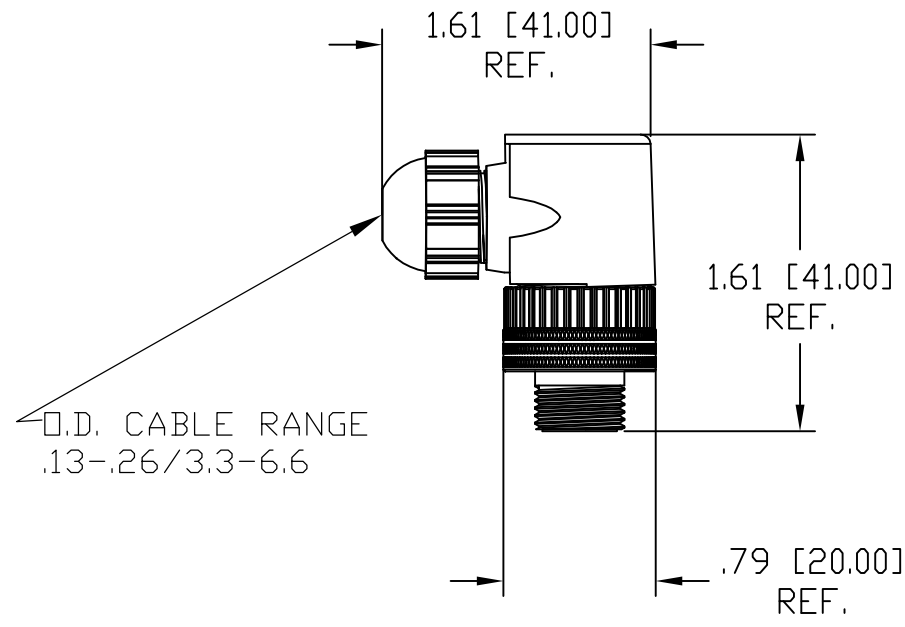
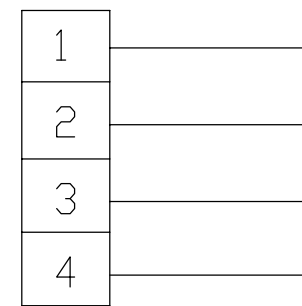


MATERIAL NUMBER	ENGINEERING NUMBER
1200710040	8A4007-31



MALE FACE VIEW



WIRING CHART

VOLTAGE RATING	250VAC/300VDC
AMPERAGE RATING	4 AMPS
PROTECTION	IP67
OPERATING TEMPERATURE	-25°C TO 90°C
CSA CERTIFICATIONS	CSA CERTIFIED, FILE NO. LR6837

ITEM		COMPONENT	MATERIAL	FINISH
1	1	INSERT	POLYAMIDE	BLACK
2	4	CONTACTS	COPPER ALLOY	SILVER PLATED
3	1	O-RING	NITRILE	BLACK
4	1	COUPLING NUT	BRASS	NICKEL PLATED
5	1	MOLDED BODY	POLYAMIDE	BLACK
6	1	GROMMET	NITRILE	BLACK
7	1	CORD GRIP BODY	POLYAMIDE	BLACK

RELEASE EC NO: WEU2010-0045 DRWN: TWOLDEGE 8/17/09 CH'KD: BWOODMAN APPR: JFMURPHY 2009/08/21	DESCRIPTION REV	QUALITY SYMBOL	GENERAL TOLERANCES (UNLESS SPECIFIED)		DIMENSION STYLE	SCALE	DESIGN UNITS	THIRD ANGLE PROJECTION																								
		$\nabla=0$ $\sphericalangle=0$	<table border="1"> <tr> <td></td> <td>mm</td> <td>INCH</td> </tr> <tr> <td>4 PLACES</td> <td>±----</td> <td>±----</td> </tr> <tr> <td>3 PLACES</td> <td>±----</td> <td>±----</td> </tr> <tr> <td>2 PLACES</td> <td>±----</td> <td>±.01</td> </tr> <tr> <td>1 PLACE</td> <td>±0.3</td> <td>±----</td> </tr> </table>		mm	INCH	4 PLACES	±----	±----	3 PLACES	±----	±----	2 PLACES	±----	±.01	1 PLACE	±0.3	±----	<table border="1"> <tr> <td>mm</td> <td>INCH</td> </tr> <tr> <td>±----</td> <td>±----</td> </tr> <tr> <td>±----</td> <td>±----</td> </tr> <tr> <td>±0.3</td> <td>±----</td> </tr> </table>	mm	INCH	±----	±----	±----	±----	±0.3	±----	DRAWN BY DATE TWOLDEGE 2009/08/17	TITLE MIC 4P MALE ATTACH 90D .13-.26 O.D. CABLE RANGE PG7 CABLE FITTING	MOLEX	MOLEX INCORPORATED	SHEET NO. 1 OF 1
			mm	INCH																												
		4 PLACES	±----	±----																												
3 PLACES	±----	±----																														
2 PLACES	±----	±.01																														
1 PLACE	±0.3	±----																														
mm	INCH																															
±----	±----																															
±----	±----																															
±0.3	±----																															
DRAFT WHERE APPLICABLE MUST REMAIN WITHIN DIMENSIONS	MATERIAL NO. 1200710040	DOCUMENT NO. SD-120071-008	THIS DRAWING CONTAINS INFORMATION THAT IS PROPRIETARY TO MOLEX INCORPORATED AND SHOULD NOT BE USED WITHOUT WRITTEN PERMISSION																													