



Copyright FCI.

A

B

C

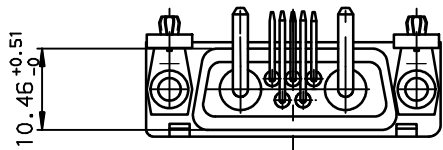
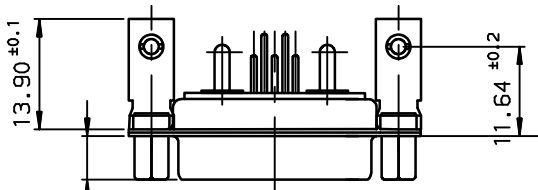
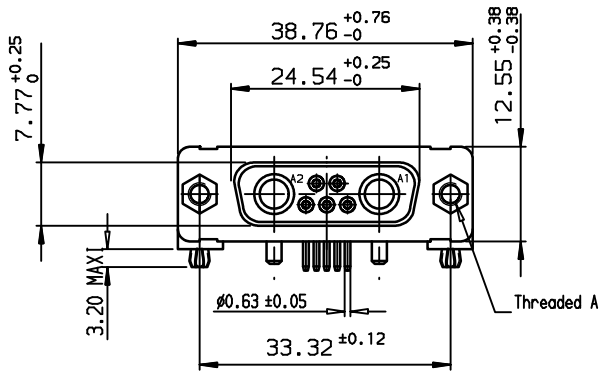
D

A

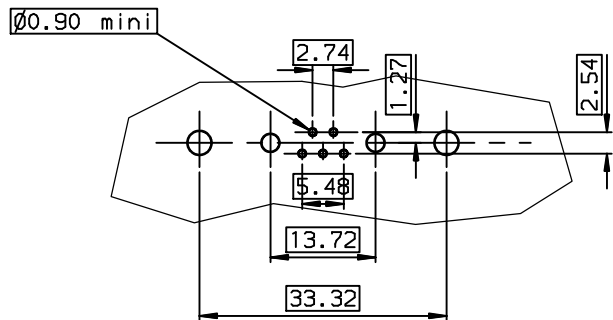
B

C

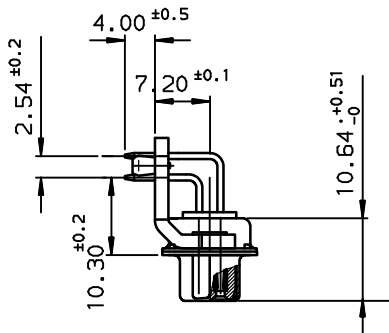
D



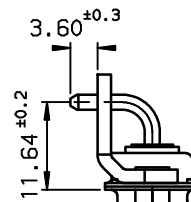
LAYOUT DIMENSIONS (after plating)
CONNECTOR SIDE VIEW



VIEW WITHOUT POWERS CONTACTS



VIEW WITH POWERS CONTACTS



TIN LEAD PART NUMBER

DAV7W2S500G30	UNC 4.40
DAI7W2S500G30	M3
PART NUMBER	Threaded A

LEAD FREE PART NUMBER

DAV7W2S500G30LF	UNC 4.40
DAI7W2S500G30LF	M3
PART NUMBER	Threaded A

GENERAL CHARACTERISTICS AND ROHS INFORMATIONS:
SEE DRAWING C01-8639-0000

European Views

www.fciconnect.com		surface ISO 1302 <input checked="" type="checkbox"/>	tolerance std ISO 406 ISO 1101	projection 	mm
TOLERANCES UNLESS OTHERWISE SPECIFIED					
Dr	JARRY	1998/06/02	ANGULAR	size	Scale 1.5
Eng	PESSON	1998/06/02	LINEAR	A3	ECN LS06-0095
Chr	LEGARE	1998/06/02	0.xx' ±2'	Spec ref -	
Appr	LEGARE	1998/06/02	Product family	D-SUB	
title SOCKET CONNECTOR RIGHT ANGLED WITH POWERS CONTACTS			part no C01-8639-0709_637		Rev. D
catalog no			CUSTOMER sheet 1 of 1		

rev	ecn no	dr	date
B	-	DEB	2003/10/21
C	LS05-001	MPE	2005/03/08
D	LS06-0095	LGO	2006/07/20
-	-	-	-
-	-	-	-
-	-	-	-

REV F - 2006-04-17