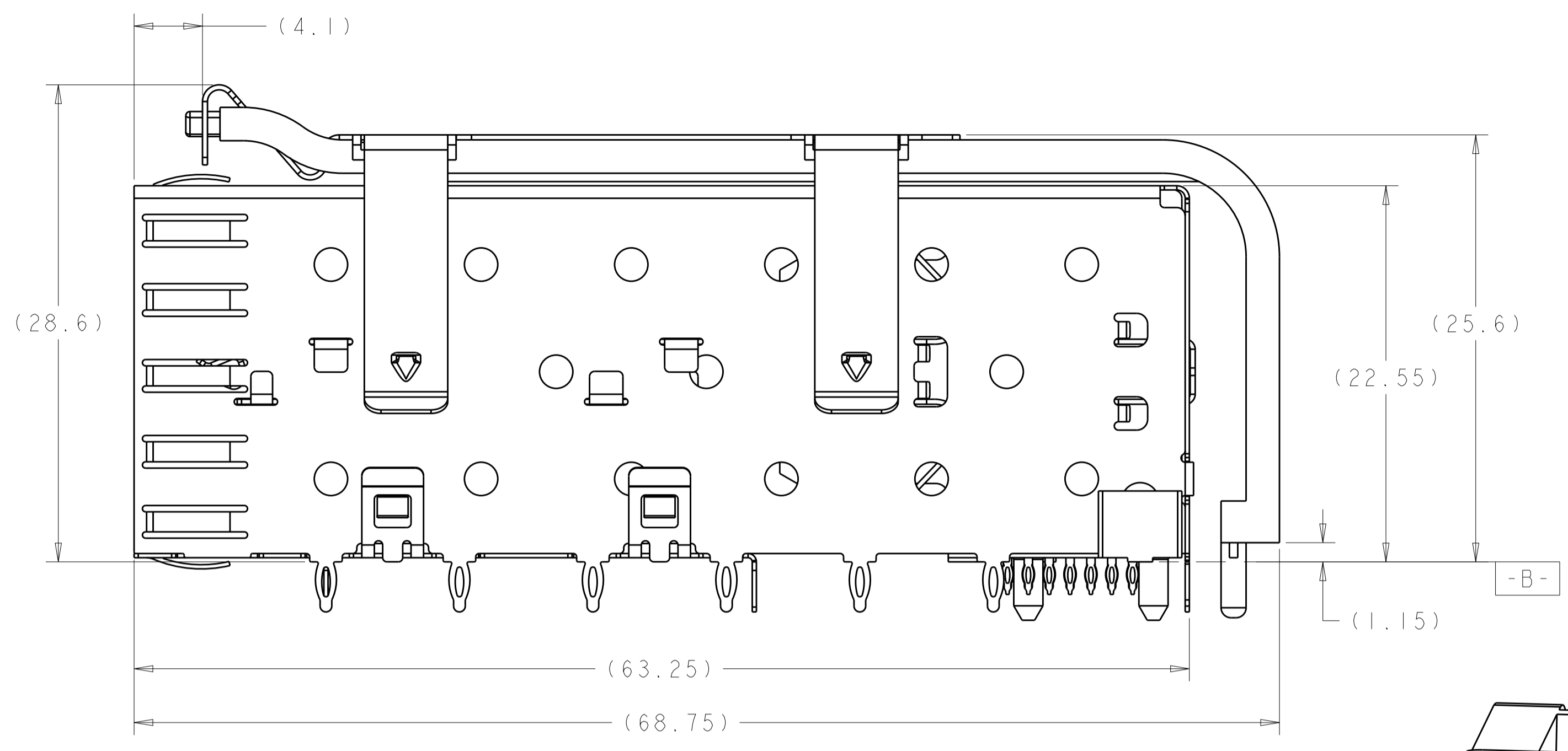
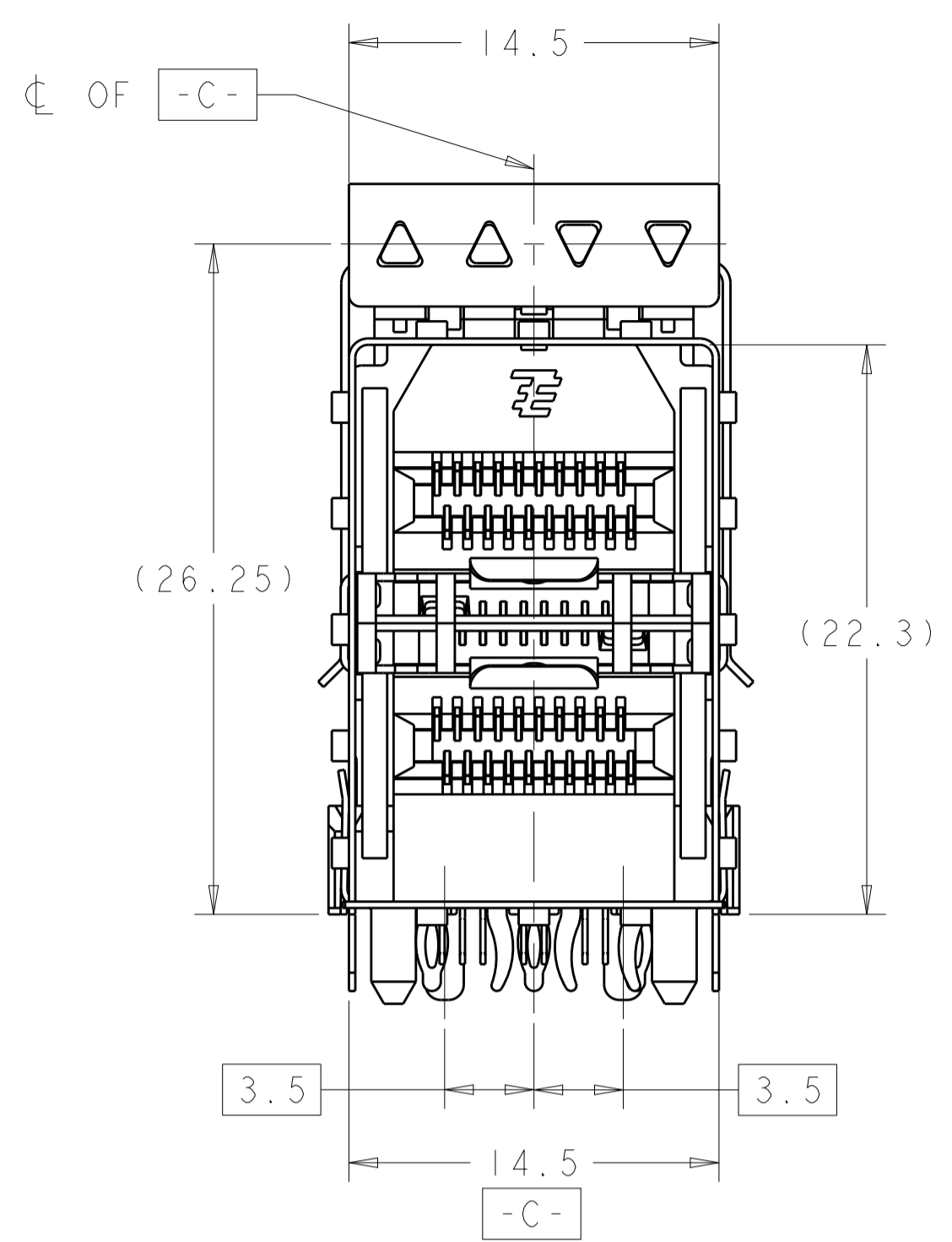
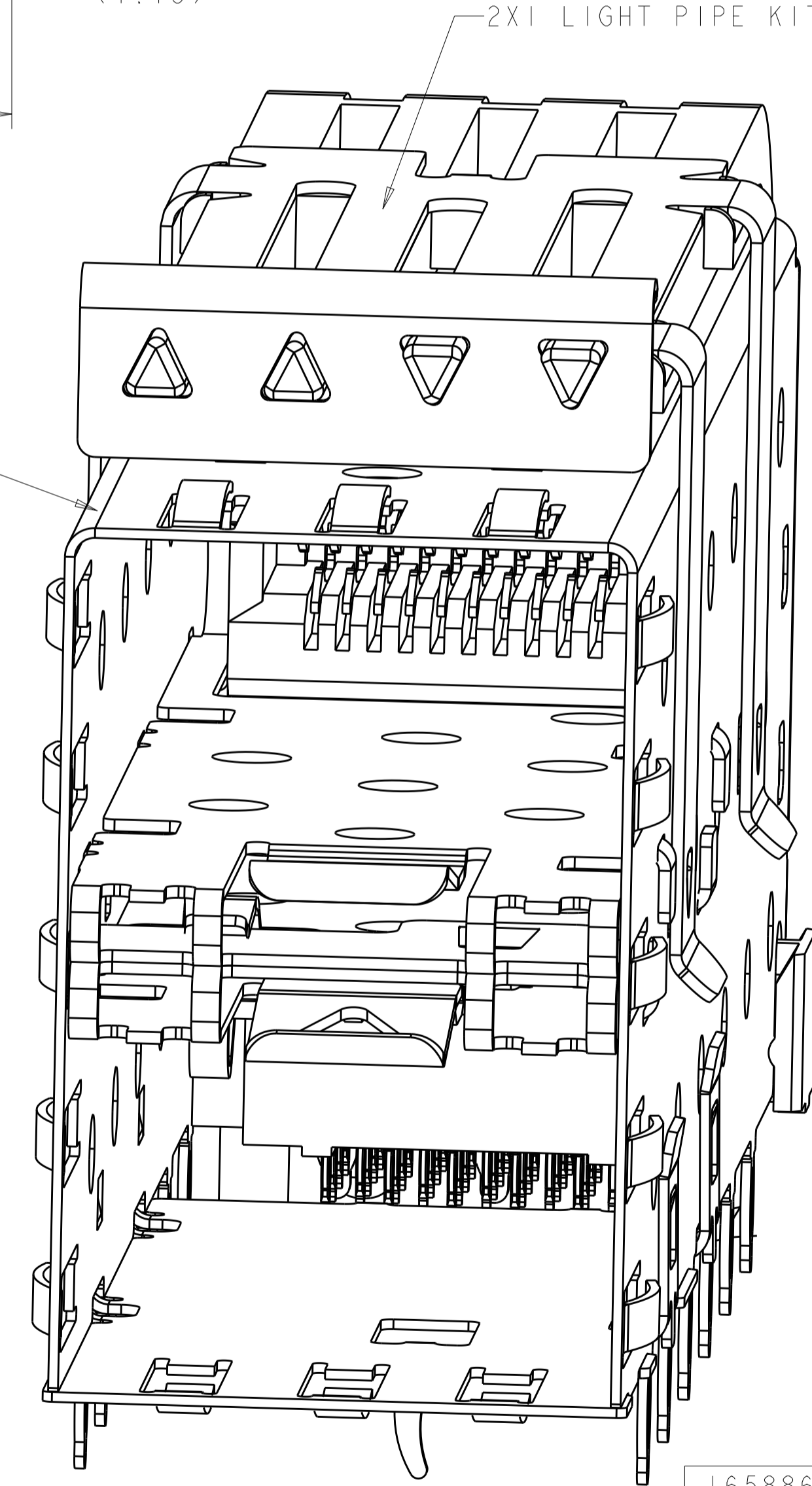
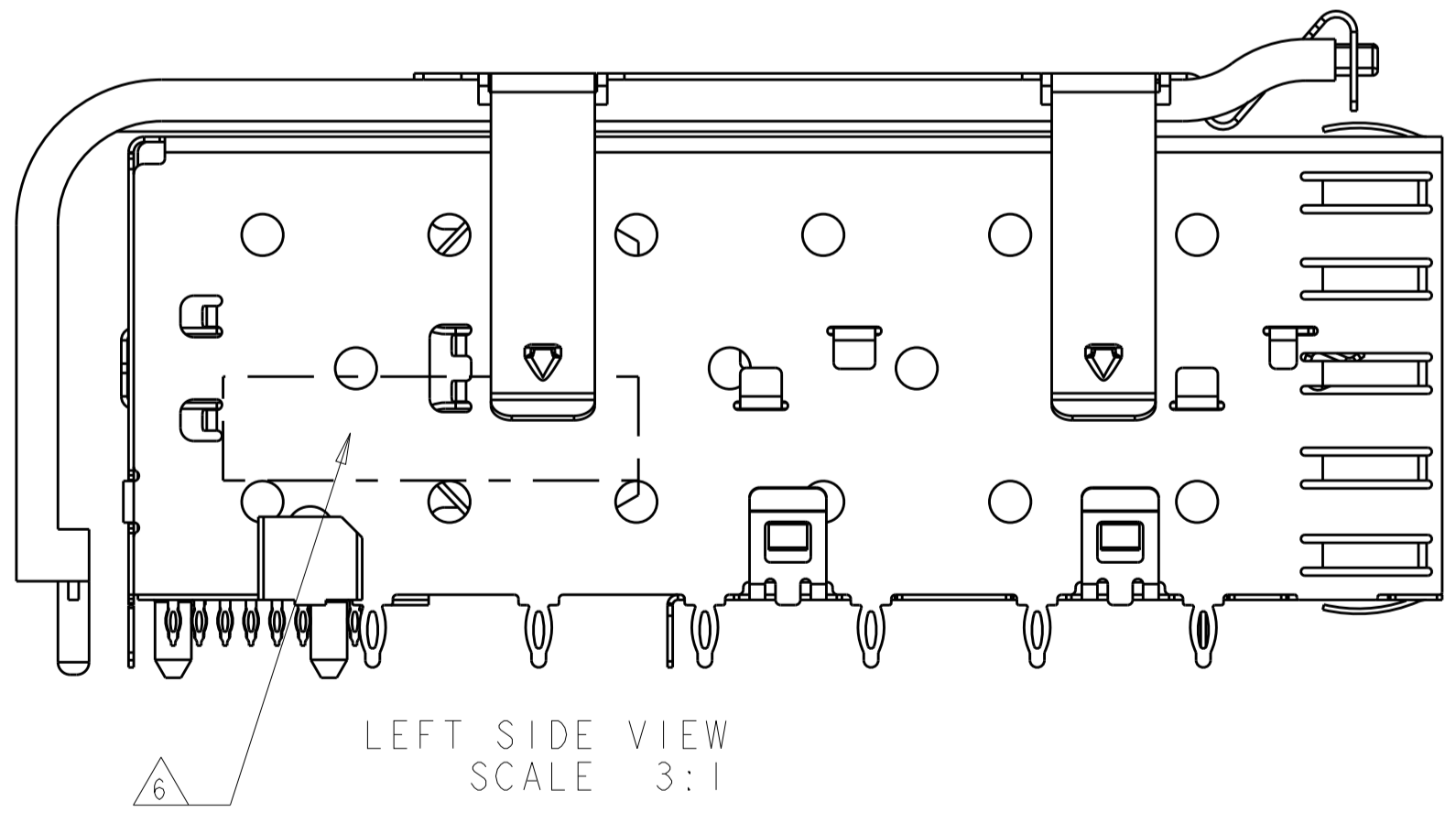
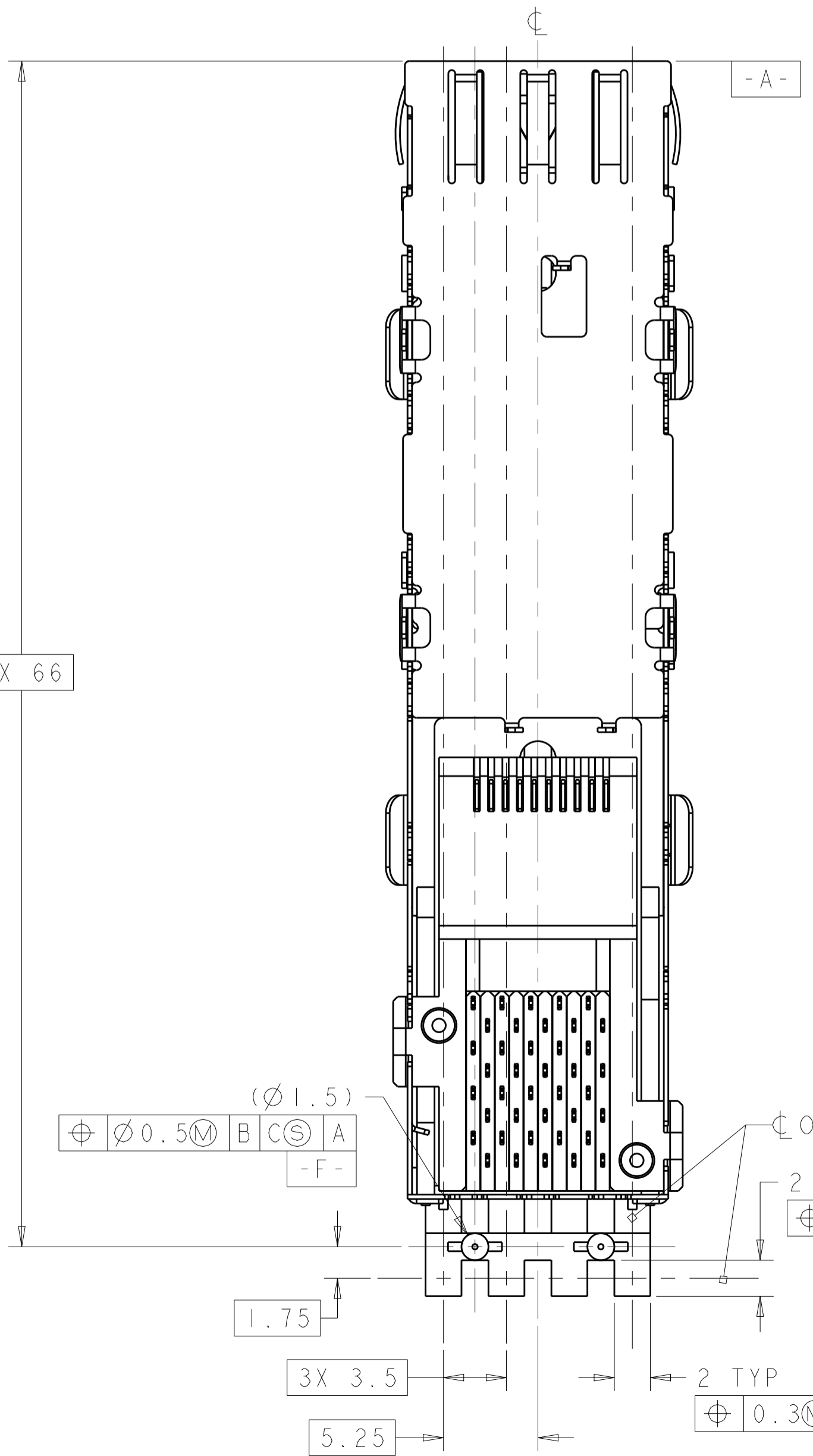


LOC	DIST	REV	DESCRIPTION	DATE	OWN	APVD
ES	00					
		CI	REVISED ECR-08-013764	04JUN08	AZ	SY
		D	REVISED PER ECO-10-023688	25NOV2010	JY	CW
		F	REVISED PER ECO-14-000886	20FEB2014	JW	SH
		F1	REVISED PER ECO-14-010419	11JUL2014	JW	SH



- ⚠ DATUM AND BASIC DIMENSION TO BE DETERMINED BY CUSTOMER
- ⚠ DATUM C APPLIES OVER ENTIRE DIMENSION
- ⚠ INTERPRETATION OF DATUM REFERENCE FRAME IN ACCORDANCE WITH SECT 4.4.1.1 OF ASME Y14.5M-1994
- ⚠ LIGHT PIPE KIT SUPPLIED SEPARATELY, KIT TO BE ATTACHED AFTER SEATING OF 1658628-1 ON BOARD
- 5. CONNECTOR ASSEMBLY CONSISTS OF LIGHT PIPE ASSEMBLY AND STACKED CAGE ASSEMBLY, SUPPLIED UNASSEMBLED.
- ⚠ DATE CODE AND PART NUMBER IN APPROXIMATE AREA SHOWN. LABEL ON CAGE ASSEMBLY WILL HAVE PART NUMBER 1658628-1 OR -2



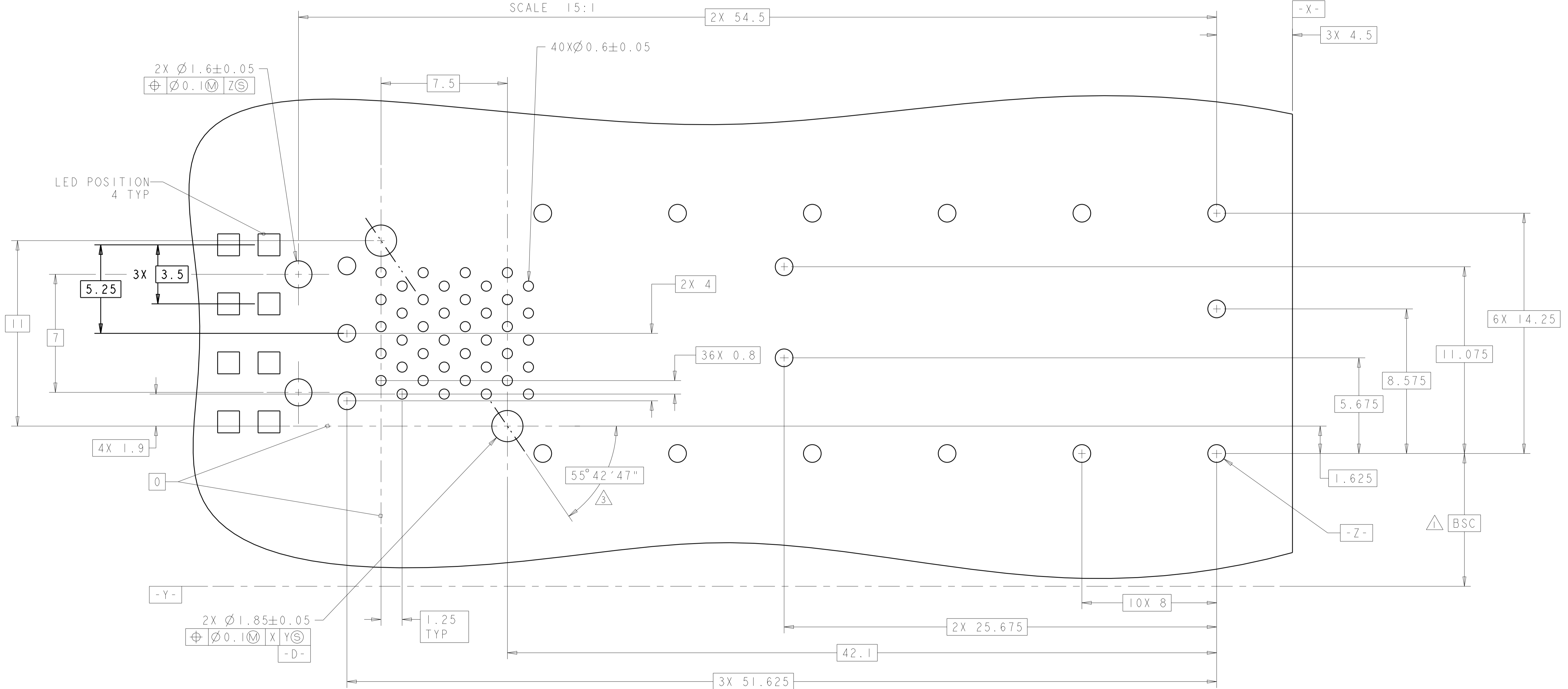
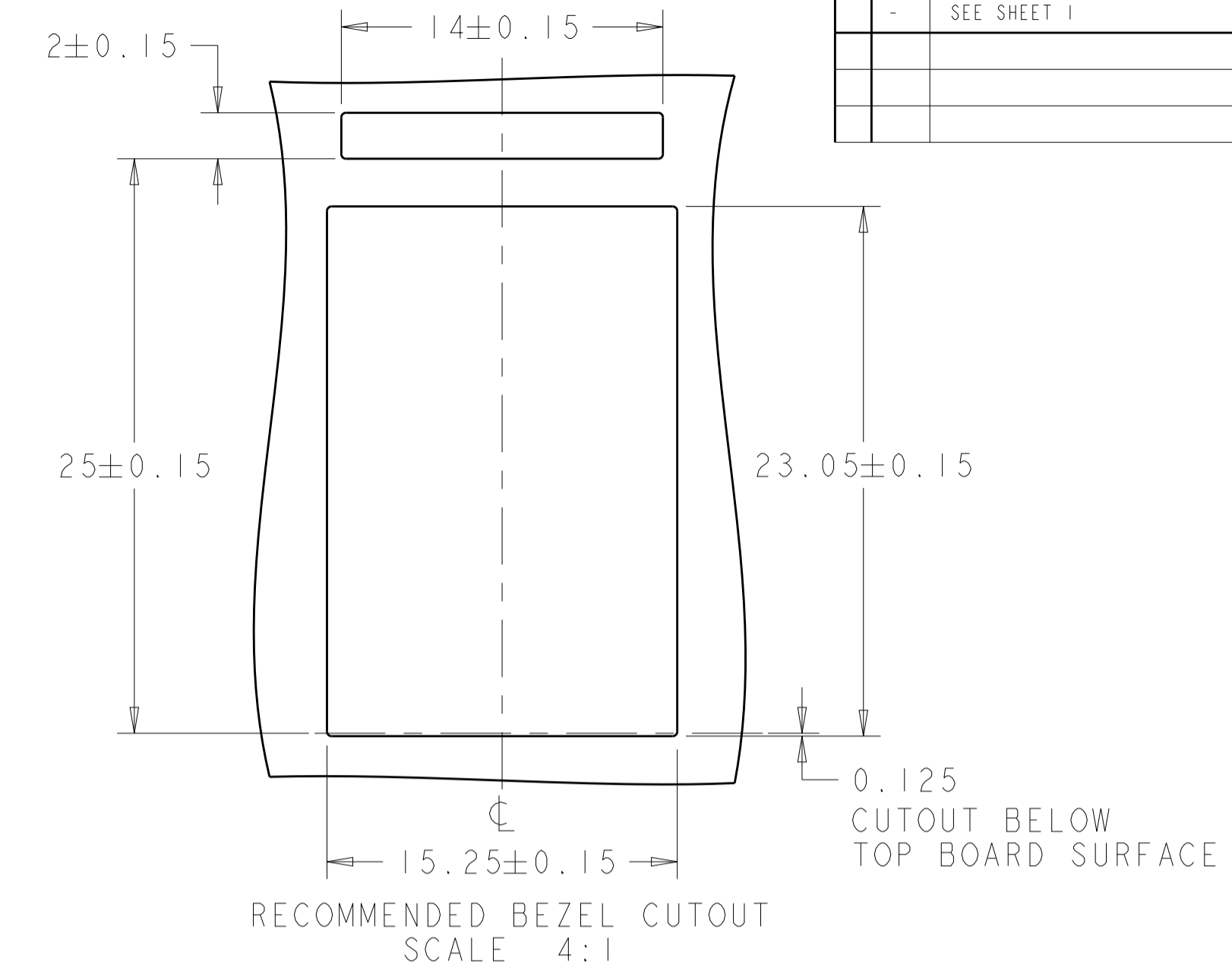
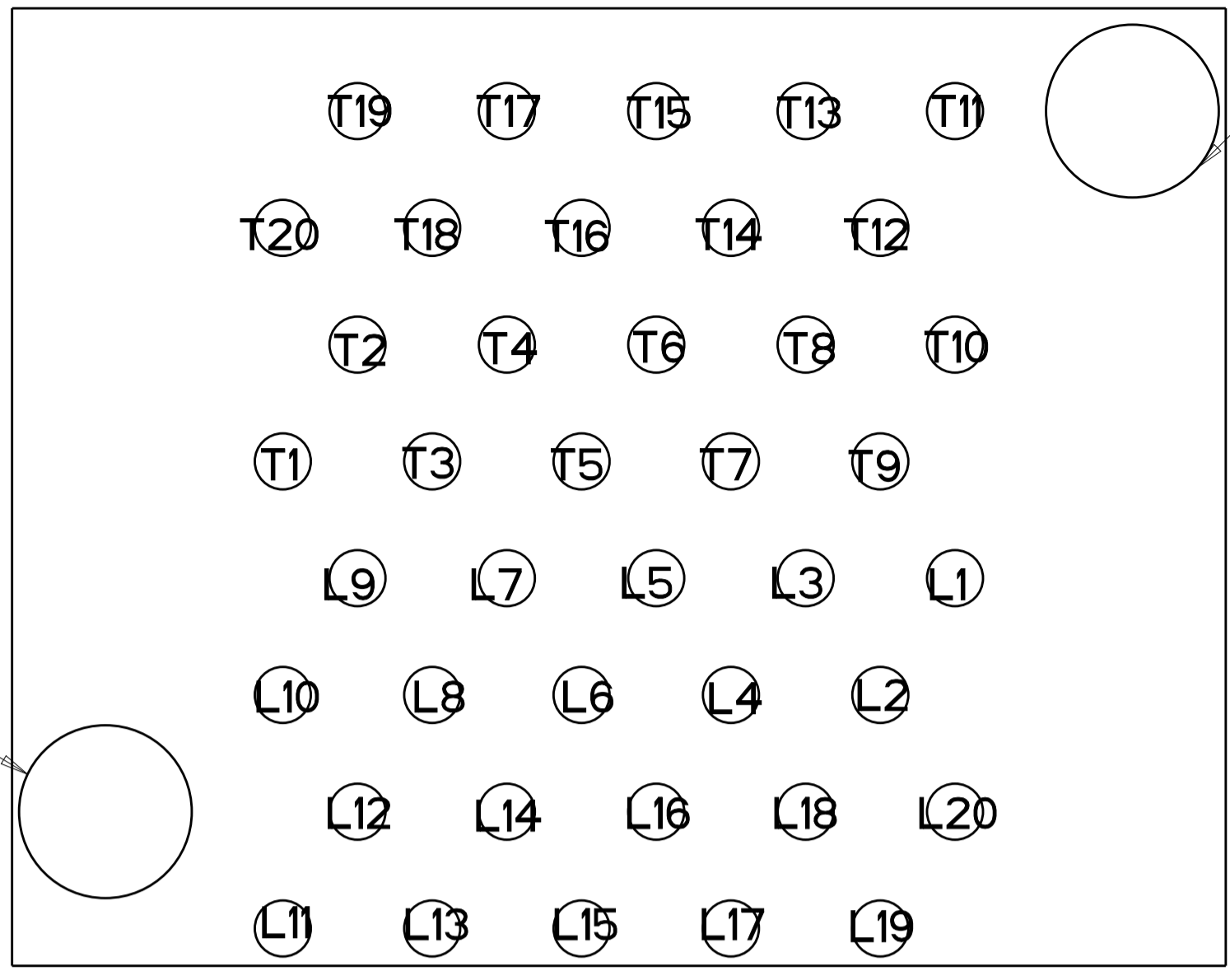
1658859-1&-2  
SCALE 8:1

1658862-1	1658628-2	1658859-2
1658862-1	1658628-1	1658859-1
LIGHT PIPE KIT	CAGE ASSEMBLY	PART NUMBER

DIMENSIONS:		TOLERANCES UNLESS OTHERWISE SPECIFIED:	
mm	0 PLC	±0.25	
	1 PLC	±0.25	
	2 PLC	±0.1	
	3 PLC	±	
	4 PLC	±	
	ANGLES	±	
	FINISH		

THIS DRAWING IS A CONTROLLED DOCUMENT.	OWN: M.E. CONNER TSEP2003	NAME: 2X1 CONNECTOR ASSEMBLY, STACKED SFP WITH LIGHT PIPE ASSEMBLY, LOW PROFILE, PRESS FIT
CHK: R.R. HENRY TSEP2003	APVD: R.R. HENRY TSEP2003	SIZE: A1
	PRODUCT SPEC: 108-2161	SCALE: 4:1
	APPLICATION SPEC: 114-13103	SHEET: 1 OF 2
MATERIAL:	WEIGHT:	REV: F1
FINISH:	CUSTOMER DRAWING	

LOC		DIST		REVISIONS			
ES	00	P	LTN	DESCRIPTION	DATE	DMN	APVD
-	-	-	-	SEE SHEET 1	-	-	-



THIS DRAWING IS A CONTROLLED DOCUMENT.		DMN: M.E. CONNER 17SEP2003	TE Connectivity
DIMENSIONS: mm		CHK: R.R. HENRY 17SEP2003	
TOLERANCES UNLESS OTHERWISE SPECIFIED:		APVD: R.R. HENRY 17SEP2003	NAME: 2X1 CONNECTOR ASSEMBLY STACKED SFP WITH LIGHT PIPE ASSEMBLY LOW PROFILE, PRESS FIT SIZE: A1 CAGE CODE: 1658859 SCALE: 2:1 SHEET 2 OF 2 REV: F1
0 PLC ±0.25		PRODUCT SPEC: 108-2161	
1 PLC ±0.25		APPLICATION SPEC: 114-13103	
2 PLC ±0.1		WEIGHT: -	
3 PLC ±0.1		FINISH: -	CUSTOMER DRAWING
4 PLC ±0.1		ANGLES: -	
5 PLC ±0.1			
ANGLES: -			