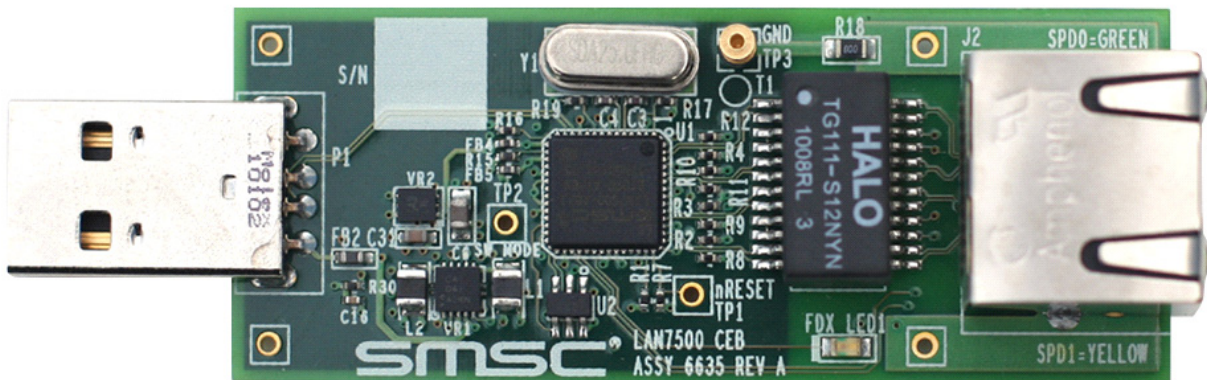


EVB-LAN7500-LC Evaluation Board User Manual



Copyright © 2012 SMSC or its subsidiaries. All rights reserved.

Circuit diagrams and other information relating to SMSC products are included as a means of illustrating typical applications. Consequently, complete information sufficient for construction purposes is not necessarily given. Although the information has been checked and is believed to be accurate, no responsibility is assumed for inaccuracies. SMSC reserves the right to make changes to specifications and product descriptions at any time without notice. Contact your local SMSC sales office to obtain the latest specifications before placing your product order. The provision of this information does not convey to the purchaser of the described semiconductor devices any licenses under any patent rights or other intellectual property rights of SMSC or others. All sales are expressly conditional on your agreement to the terms and conditions of the most recently dated version of SMSC's standard Terms of Sale Agreement dated before the date of your order (the "Terms of Sale Agreement"). The product may contain design defects or errors known as anomalies which may cause the product's functions to deviate from published specifications. Anomaly sheets are available upon request. SMSC products are not designed, intended, authorized or warranted for use in any life support or other application where product failure could cause or contribute to personal injury or severe property damage. Any and all such uses without prior written approval of an Officer of SMSC and further testing and/or modification will be fully at the risk of the customer. Copies of this document or other SMSC literature, as well as the Terms of Sale Agreement, may be obtained by visiting SMSC's website at <http://www.smsc.com>. SMSC is a registered trademark of Standard Microsystems Corporation ("SMSC"). Product names and company names are the trademarks of their respective holders.

The Microchip name and logo, and the Microchip logo are registered trademarks of Microchip Technology Incorporated in the U.S.A. and other countries.

SMSC DISCLAIMS AND EXCLUDES ANY AND ALL WARRANTIES, INCLUDING WITHOUT LIMITATION ANY AND ALL IMPLIED WARRANTIES OF MERCHANTABILITY, FITNESS FOR A PARTICULAR PURPOSE, TITLE, AND AGAINST INFRINGEMENT AND THE LIKE, AND ANY AND ALL WARRANTIES ARISING FROM ANY COURSE OF DEALING OR USAGE OF TRADE. IN NO EVENT SHALL SMSC BE LIABLE FOR ANY DIRECT, INCIDENTAL, INDIRECT, SPECIAL, PUNITIVE, OR CONSEQUENTIAL DAMAGES; OR FOR LOST DATA, PROFITS, SAVINGS OR REVENUES OF ANY KIND; REGARDLESS OF THE FORM OF ACTION, WHETHER BASED ON CONTRACT; TORT; NEGLIGENCE OF SMSC OR OTHERS; STRICT LIABILITY; BREACH OF WARRANTY; OR OTHERWISE; WHETHER OR NOT ANY REMEDY OF BUYER IS HELD TO HAVE FAILED OF ITS ESSENTIAL PURPOSE, AND WHETHER OR NOT SMSC HAS BEEN ADVISED OF THE POSSIBILITY OF SUCH DAMAGES.

1 Introduction

The LAN7500 is a high performance Hi-Speed USB 2.0 to 10/100/1000 Ethernet controller. With applications ranging from embedded systems, set-top boxes, and PVR's, to USB port replicators, USB to Ethernet dongles and test instrumentation, the device is a high performance and cost competitive USB to Ethernet connectivity solution.

The LAN7500 contains an integrated 10/100/1000 Ethernet MAC and PHY, Filtering Engine, USB PHY, Hi-Speed USB 2.0 device controller, TAP controller, EEPROM controller, and a FIFO controller with a total of 32 KB of internal packet buffering.

The internal USB 2.0 device controller and USB PHY are compliant with the USB 2.0 Hi-Speed standard. The device implements Control, Interrupt, Bulk-in, and Bulk-out USB Endpoints.

The Ethernet controller supports auto-negotiation, auto-polarity correction, HP Auto-MDIX, and is compliant with the IEEE 802.3, IEEE 802.3u, IEEE 802.3ab standards. ARP and NS offload is also supported.

The EVB-LAN7500-LC is an Evaluation Board (EVB) that utilizes the LAN7500 to provide a fully functional, bus-powered USB to Ethernet interface. The EVB-LAN7500-LC provides a fully integrated Ethernet port and USB port via the onboard RJ45 and USB Type A connectors. The onboard 4K EEPROM is used to load the EVB-LAN7500-LC's USB configuration parameters and MAC address.

LAN7500 software drivers are available for Windows XP, Windows Vista, Mac OSX, Linux, and Win CE. Additional manufacturing and diagnostic tools are available for debugging and external EEPROM configuration.

A simplified block diagram of the EVB-LAN7500-LC can be seen in [Figure 1.1](#).

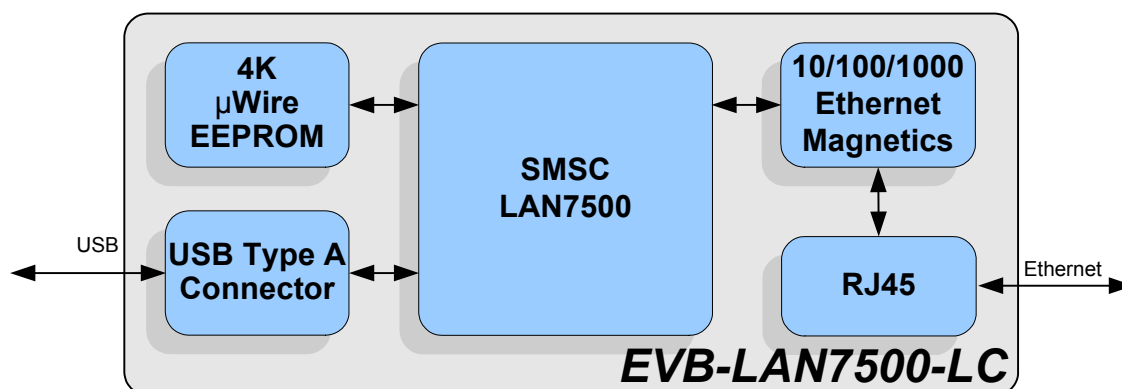


Figure 1.1 EVB-LAN7500-LC Block Diagram

1.1 References

Concepts and material available in the following documents may be helpful when using the EVB-LAN7500-LC.

Table 1.1 References

DOCUMENT	LOCATION
SMSC LAN7500 Datasheet	http://www.smSC.com/lan7500
AN8-13 Suggested Magnetics	http://www.smSC.com/lan7500
SMSC EVB-LAN7500-LC Evaluation Board Schematic	http://www.smSC.com/lan7500

2 Board Details

The following sections describe the various board features. A top view of the EVB-LAN7500-LC is shown in Figure 2.1.

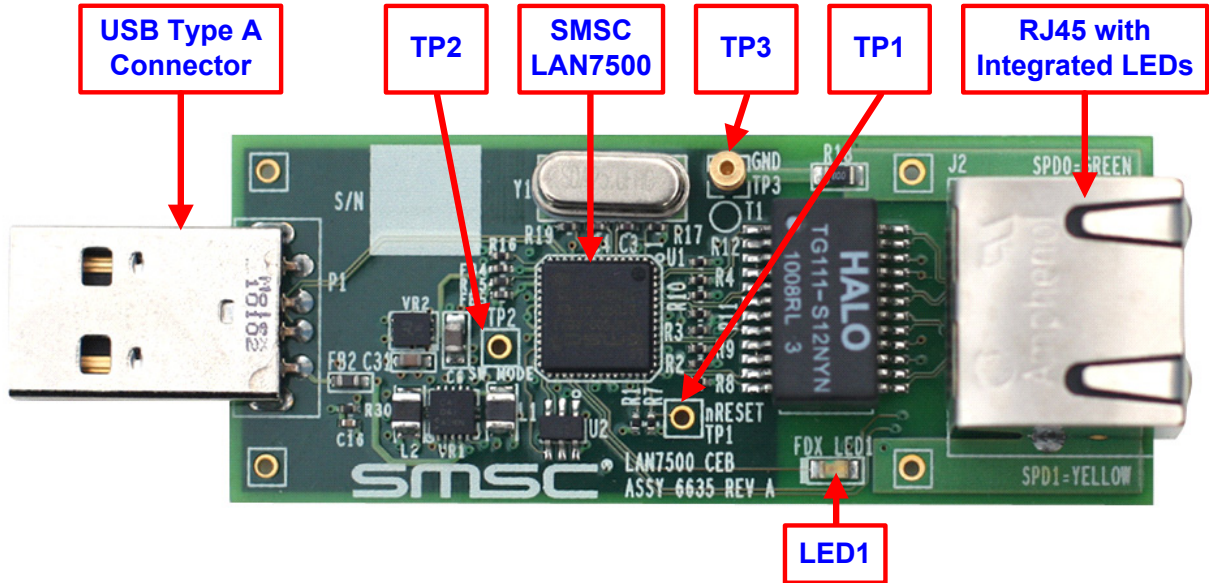


Figure 2.1 EVB-LAN7500-LC Top View

2.1 LEDs

Table 2.1 LEDs

REFERENCE	INDICATION															
LED1	Ethernet Full Duplex															
SPD1	Speed 1 When combined with Speed 0, this signal indicates the current Ethernet link speed. Refer to the SPD0 (Speed 0) description for additional information. Note: This LED is yellow and located inside the RJ45 conector.															
SPD0	Speed 0 When combined with Speed 1, this signal indicates the current Ethernet link speed. The speed is indicated as shown below: <table border="1" style="margin-left: 20px;"> <thead> <tr> <th>SPEED (Mbps)</th> <th>SPEED 0 (SPD0)</th> <th>SPEED 1 (SPD1)</th> </tr> </thead> <tbody> <tr> <td>No Link</td> <td>Off</td> <td>Off</td> </tr> <tr> <td>10</td> <td>On</td> <td>Off</td> </tr> <tr> <td>100</td> <td>Off</td> <td>On</td> </tr> <tr> <td>1000</td> <td>On</td> <td>On</td> </tr> </tbody> </table> Note: This LED is green and located inside the RJ45 conector.	SPEED (Mbps)	SPEED 0 (SPD0)	SPEED 1 (SPD1)	No Link	Off	Off	10	On	Off	100	Off	On	1000	On	On
SPEED (Mbps)	SPEED 0 (SPD0)	SPEED 1 (SPD1)														
No Link	Off	Off														
10	On	Off														
100	Off	On														
1000	On	On														

2.2 Test Points

Table 2.2 Test Points

TEST POINT	DESCRIPTION	CONNECTION
TP1	Unpopulated nRESET testpoint	nRESET
TP2	Unpopulated SW_MODE testpoint	SW_MODE
TP3	Single pin populated gold post GND testpoint	GND

2.3 System Connections

Table 2.3 System Connections

CONNECTOR	DESCRIPTION	PART
P1	USB Type-A Plug	Molex 48037-0001
J2	RJ45	Amphenol RJHSE-5381

2.4 Mechanicals

Figure 2.2 details the EVB-LAN7500-LC mechanical dimensions.

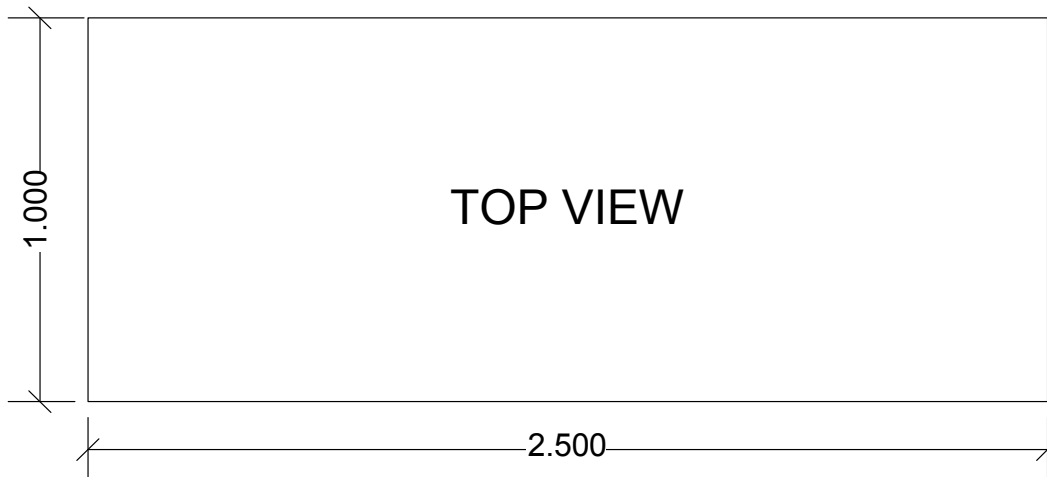


Figure 2.2 EVB-LAN7500-LC Mechanicals

3 User Manual Revision History

Table 3.1 Customer Revision History

REVISION LEVEL & DATE	SECTION/FIGURE/ENTRY	CORRECTION
Rev. 1.0 (11-29-12)		Document co-branded: Microchip logo added, modification to legal disclaimer.
Rev. 1.0 (11-03-10)		Initial release.