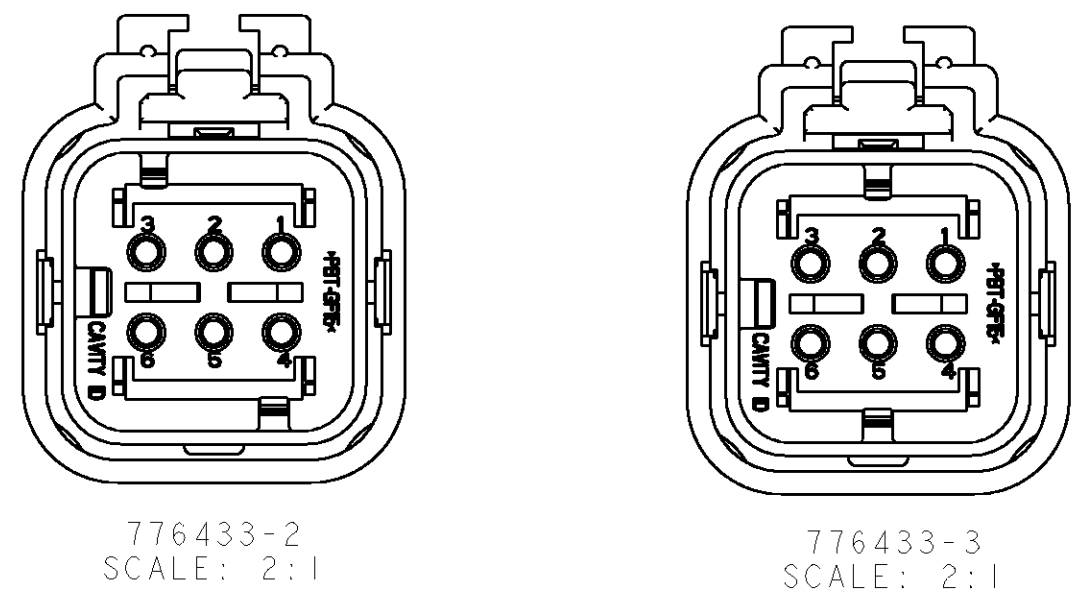
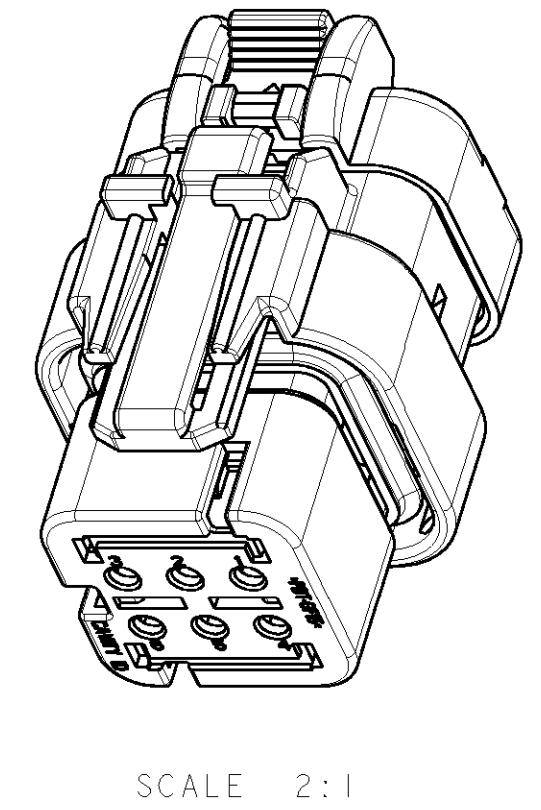
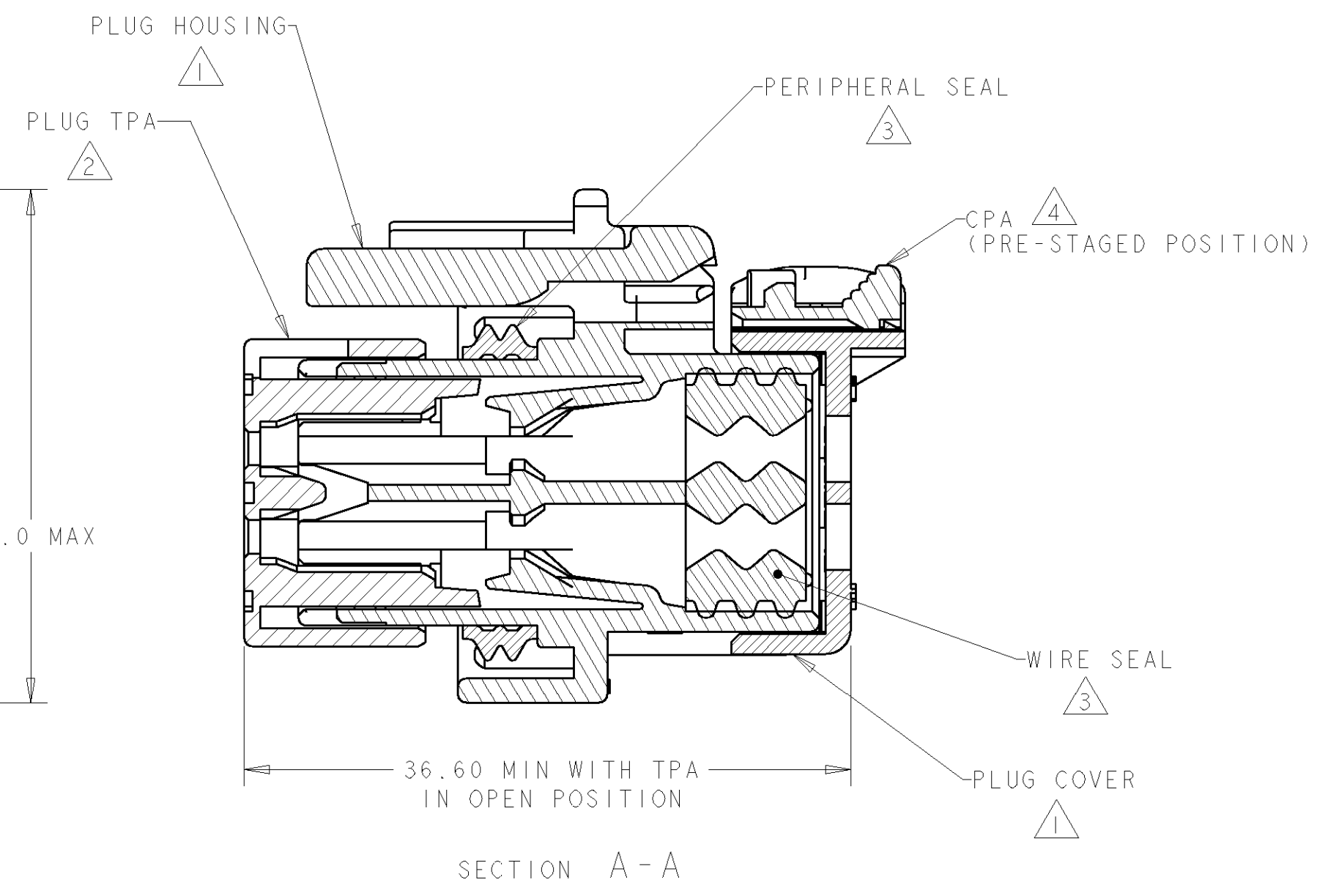
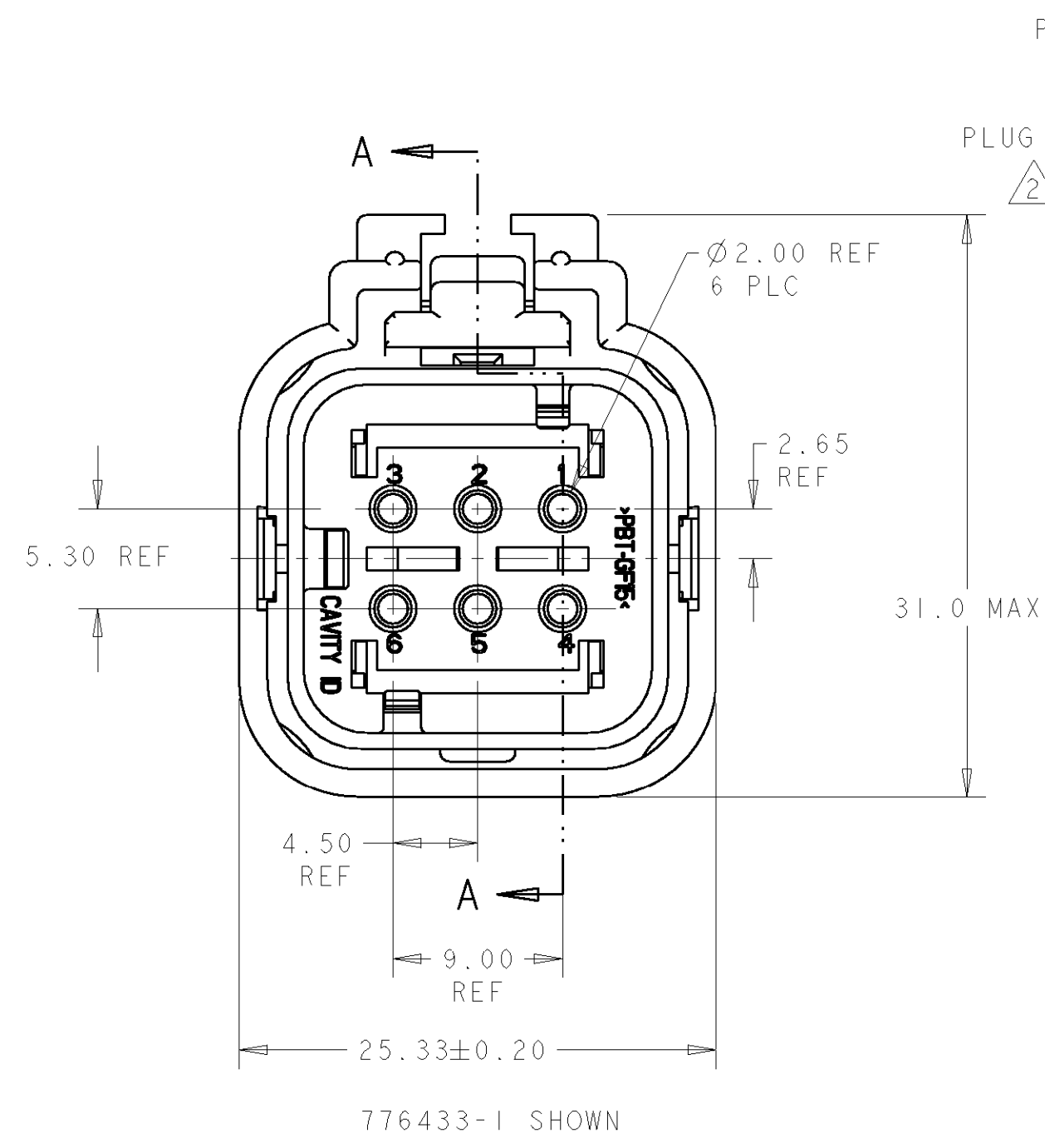


THIS DRAWING IS UNPUBLISHED. RELEASED FOR PUBLICATION
 © COPYRIGHT ALL RIGHTS RESERVED.

| LOC | DIST | REVISIONS | | | |
|-----|------|------------------------------|---------|-----|------|
| P | LTR | DESCRIPTION | DATE | DWN | APVD |
| GE | 00 | E1 REVISED PER ECO-11-005030 | 26APR11 | RK | HMR |



- ① MATERIAL: 15% GLASS FILLED THERMOPLASTIC
COLOR: BLACK
 - ② MATERIAL: 15% GLASS FILLED THERMOPLASTIC
COLOR: (SEE TABLE)
 - ③ MATERIAL: SILICONE
COLOR: RED
 - ④ MATERIAL: 15% GLASS FILLED THERMOPLASTIC
COLOR: RED
5. RECOMMENDED WIRE DIAMETER RANGE IS 2.18 TO 3.67mm



| | |
|-----------|-------------|
| YELLOW | 776433-3 |
| GRAY | 776433-2 |
| RED | 776433-1 |
| TPA COLOR | PART NUMBER |

| | | | | | |
|-----------------------|--|---|--|---|---|
| DIMENSIONS: mm | | TOLERANCES UNLESS OTHERWISE SPECIFIED: 0 PLC ± 1 PLC ± 2 PLC ± 3 PLC ± 4 PLC ± ANGLES ± FINISH | | DWN AJ GRAFF 13JUN00 CHK R. GREINER 03JAN02 APVD M. TRULLI 03JAN02 PRODUCT SPEC APPLICATION SPEC 114-13065 WEIGHT - CUSTOMER DRAWING | TE Connectivity NAME PLUG ASSEMBLY, 6 POSITION, DUAL ROW, AMPSEAL 16 SIZE A2 CAGE CODE 00779 DRAWING NO 776433 RESTRICTED TO - SCALE 2:1 SHEET 1 OF 1 REV E1 |
|-----------------------|--|---|--|---|---|