

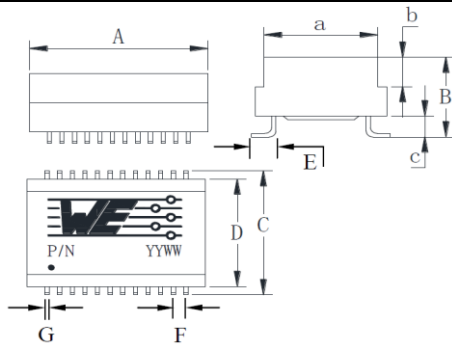
Spezifikation für Freigabe / specification for release

Kunde / customer :
 Artikelnummer / part number : **749020011A**
 Bezeichnung : **LAN-Übertrager WE-LAN**
 description : **LAN-Transformer WE-LAN**



DATUM / DATE : 2015-01-26

A Mechanische Abmessungen / dimensions :



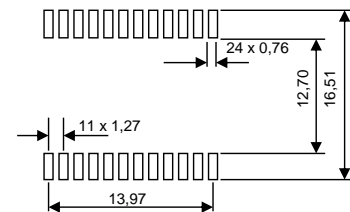
	1000 BaseT	
A	17,50 ± 0,25	mm
B	6,50 max.	mm
C	15,24 ± 0,25	mm
D	14,20 ± 0,25	mm
E	1,20 ± 0,05	mm
F	1,27 ± 0,05	mm
G	0,30 ± 0,10	mm
a	12,65 ± 0,25	mm
b	2,3 ± 0,25	mm
c	2,00 max.	mm

● = Pin 1

B Elektrische Eigenschaften / electrical properties :

Eigenschaften / properties	Testbedingungen / test conditions		Wert / value	Einheit / unit	tol.
Induktivität / Inductance	100kHz / 100mV @ 8mA DC-Bias	OCL	350	μH	min.
Übersetzungsverhältnis / Turns ratio	100kHz / 100mV	TR	1 : 1	Tx	3%
			1 : 1	Rx	
Insertion Loss	1-100MHz	IL	-1,0	dB	max.
Return Loss	1-40MHz @ 100Ω	RL	-18	dB	min.
	50MHz @ 100Ω		-16		
	60-80MHz @ 100Ω		-12		
	100MHz @ 100Ω		-10		
Differential to Common Mode Rejection	30MHz	DCMR	-43	dB	min.
	60MHz		-37		
	100MHz		-33		
Crosstalk	60MHz	CT	-40	dB	min.
	100MHz		-35		

C Lötpad / soldering spec. :



D Prüfgeräte / test equipment :

HP-4284
 HP-8714
 CH-19073
 CH-3250

E Testbedingungen / test conditions :

Luftfeuchtigkeit / humidity: 33%
 Umgebungstemperatur / temperature: +25°C

F Werkstoffe & Zulassungen / material & approvals :

Basismaterial / base material: Ferrit/ ferrite
 Draht / wire: 0UEW QPN200
 Kontaktmaterial/ contact plating: Cu-Ni-Sn
 Gehäuse / case: Bakelite & UL94-V0
 MSL Level 1
 Verguss / potting: UL94-V0

G Eigenschaften / general specifications :

Betriebstemp. / Operating temperature: -40°C - + 85°C
 Hochspannungsprüfung / Hipot test: 1500Vrms 1min.
 Geeignet für 1000BaseT-Anwendungen gemäß IEEE 802.3ab /
 Compliant with IEEE 802.3ab for 1000BaseT
 Sn Stärke vor dem Heißverzinne 5 μm min. /
 Sn thickness before hot dip soldering 5 μm min.
 Ni Stärke 1 μm min. / Ni thickness 1 μm min.

Freigabe erteilt / general release:		Kunde / customer	
.....		
Datum / date	Unterschrift / signature	JaB	Revision 05
.....		Mle	Revision 04
.....		Würth Elektronik	
.....		Mle	Revision 03
.....		Mle	Revision 02
.....		Mle	Revision 01
.....		Mle	Revision 00 (Preliminary)
Geprüft / checked	Kontrolliert / approved	Name	Änderung / modification
.....			Datum / date

Würth Elektronik eiSos GmbH & Co.KG

D-74638 Waldenburg · Max-Eyth-Straße 1 - 3 · Germany · Telefon (+49) (0) 7942 - 945 - 0 · Telefax (+49) (0) 7942 - 945 - 400
<http://www.we-online.com>

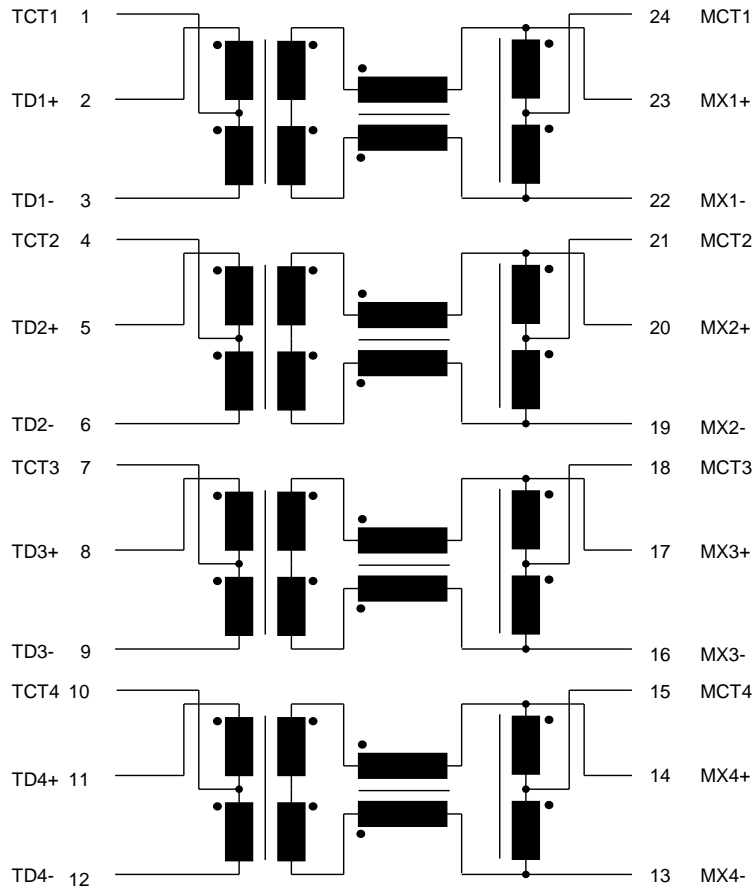
Spezifikation für Freigabe / specification for release

Kunde / customer :
 Artikelnummer / part number : **749020011A**
 Bezeichnung : **LAN-Übertrager WE-LAN**
 description : **LAN-Transformer WE-LAN**



WÜRTH ELEKTRONIK
 DATUM / DATE : 2015-01-26

H Schaltbild / Schematics :



Freigabe erteilt / general release:	Kunde / customer		
.....	JaB	Revision 05 2015-01-26
Datum / date	Unterschrift / signature	Mle	Revision 04 2014-07-28
.....	Würth Elektronik	Mle	Revision 03 2014-01-08
.....	Mle	Revision 02 2013-08-02
Geprüft / checked	Kontrolliert / approved	Mle	Revision 01 2013-06-18
		Mle	Revision 00 (Preliminary) 2013-03-26
		Name	Änderung / modification Datum / date

Würth Elektronik eiSos GmbH & Co.KG

D-74638 Waldenburg · Max-Eyth-Straße 1 - 3 · Germany · Telefon (+49) (0) 7942 - 945 - 0 · Telefax (+49) (0) 7942 - 945 - 400
<http://www.we-online.com>

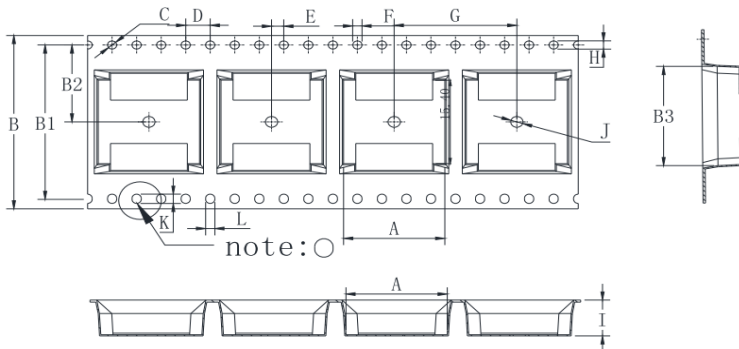
Spezifikation für Freigabe / specification for release

Kunde / customer :
 Artikelnummer / part number : **749020011A**
 Bezeichnung : **LAN-Übertrager WE-LAN**
 description : **LAN-Transformer WE-LAN**



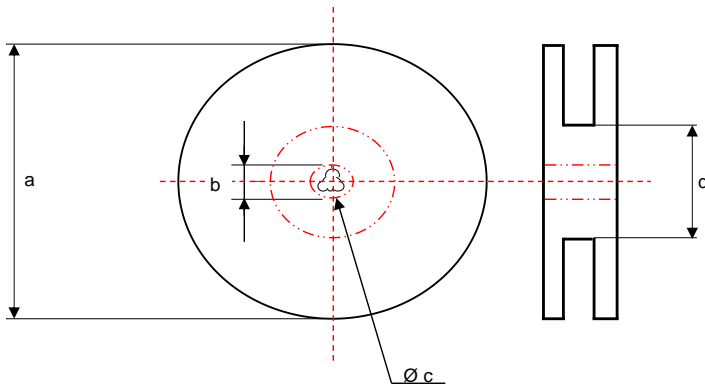
DATUM / DATE : 2015-01-26

I Rollenspezifikation / tape and reel specification :



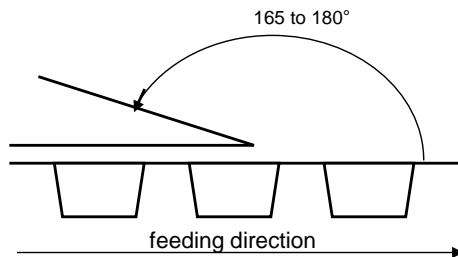
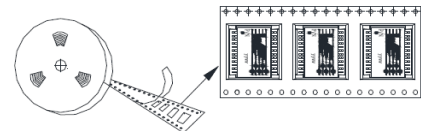
Gurtspezifikation / Tape specification:

A	16,50 ± 0,1	mm
B	32,00 ± 0,3	mm
B1	28,40 ± 0,1	mm
B2	14,20 ± 0,1	mm
B3	17,93 ± 0,1	mm
C	1,50 +0,1/-0	mm
D	4,00 ± 0,1	mm
E	2,00 ± 0,1	mm
F	1,50 +0,1/-0	mm
G	20,00 ± 0,1	mm
H	1,50 +0,1/-0	mm
I	6,60 ± 0,1	mm
J	2,00 +0,1/-0	mm
K	1,70 +0,1/-0	mm
L	1,50 +0,1/-0	mm



Rollenspezifikation / Reel specification:

a	330,0 ± 2,0	mm
b	21,00 ± 0,8	mm
c	13,60 ± 0,5	mm
d	100,0 ± 1,0	mm



Package Quantity:

reel = 350pcs
 carton = 3500pcs

The force for tearing off cover tape is 40 to 120 grams in arrow direction

Freigabe erteilt / general release:	Kunde / customer		
		
Datum / date	Unterschrift / signature		
	Würth Elektronik		
		
Geprüft / checked	Kontrolliert / approved		
		
	Name	Änderung / modification	Datum / date
	JaB	Revision 05	2015-01-26
	Mle	Revision 04	2014-07-28
	Mle	Revision 03	2014-01-08
	Mle	Revision 02	2013-08-02
	Mle	Revision 01	2013-06-18
	Mle	Revision 00 (Preliminary)	2013-03-26

This electronic component has been designed and developed for usage in general electronic equipment. Before incorporating this component into any equipment where higher safety and reliability is especially required or if there is the possibility of direct damage or injury to human body, for example in the range of aerospace, aviation, nuclear control, submarine, transportation, (automotive control, train control, ship control), transportation signal, disaster prevention, medical, public information network etc. Würth Elektronik eiSos GmbH must be informed before the design-in stage. In addition, sufficient reliability evaluation checks for safety must be performed on every electronic component which is used in electrical circuits that require high safety and reliability functions or performance.

Würth Elektronik eiSos GmbH & Co.KG

D-74638 Waldenburg · Max-Eyth-Straße 1 - 3 · Germany · Telefon (+49) (0) 7942 - 945 - 0 · Telefax (+49) (0) 7942 - 945 - 400
<http://www.we-online.com>