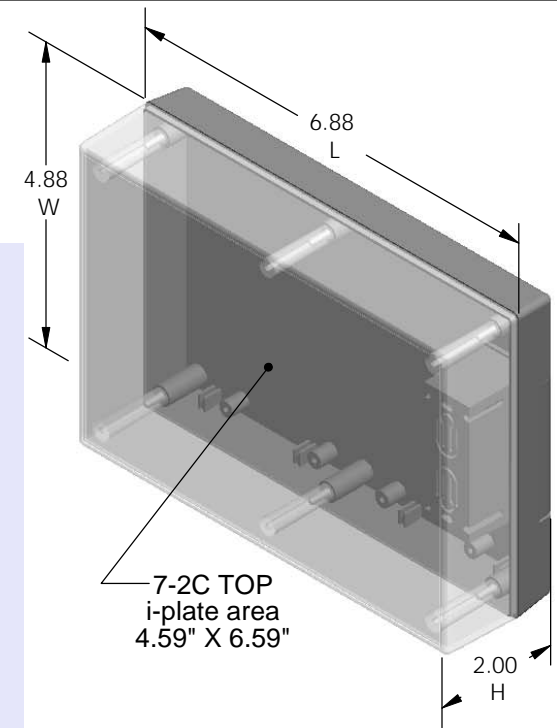
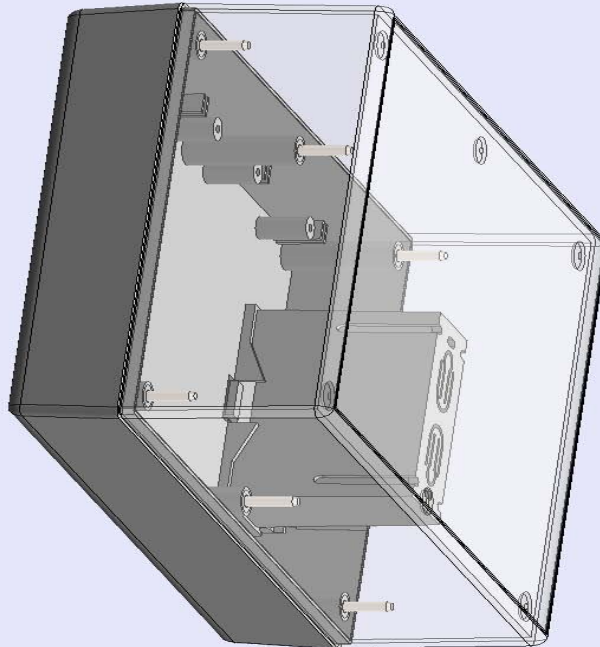


# SERPAC 272C (3D exploded)

Electronic Enclosures

-Click on image to show toolbar. Use  to Play/Pause Animation\*.  
 -Left click and drag on image to move 3D model.



- a) Zoom in & out with center wheel.
  - b) Pause at any moment to view and or print views.
  - c) Change the views to ortho and section views if needed from the Views pull down menu.
  - d) Explore options included in the tool bar like: Views, Transparency of model, Lighting type, etc.
- \*(To have full interaction with the animated PDF files, please use free Adobe Reader 9 or newer version.)*

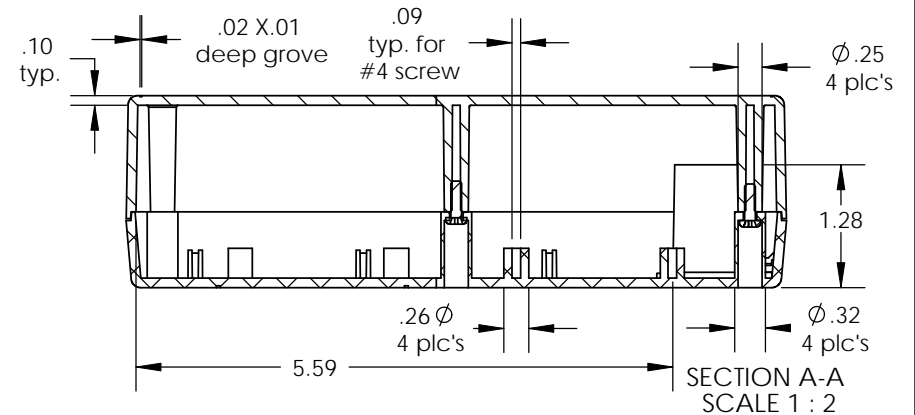
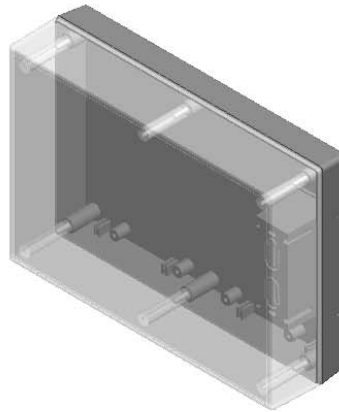
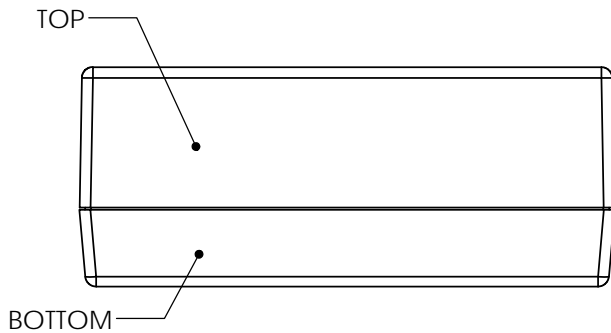
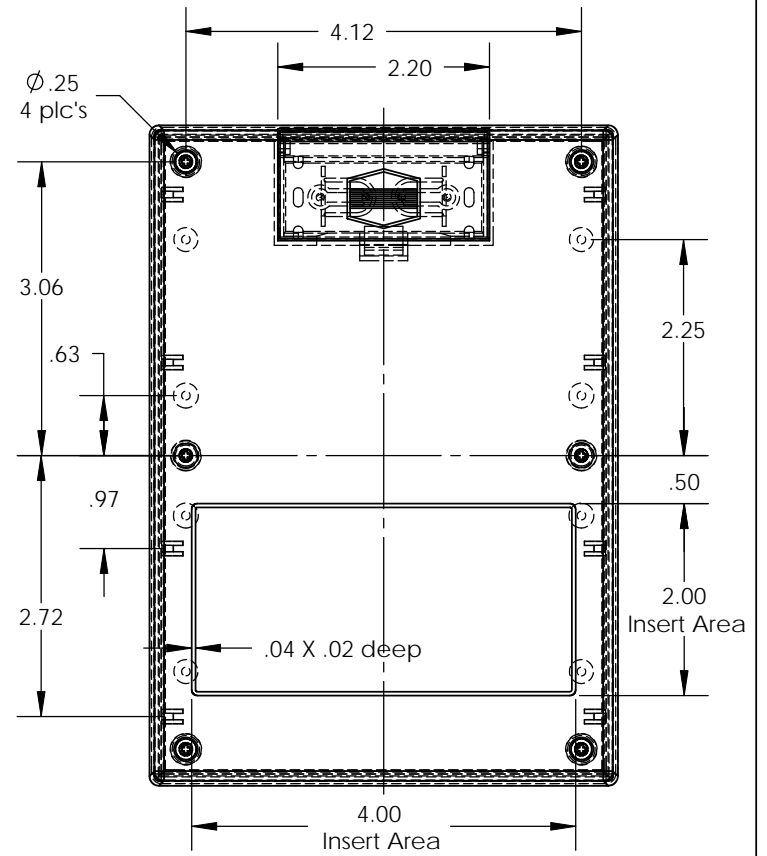
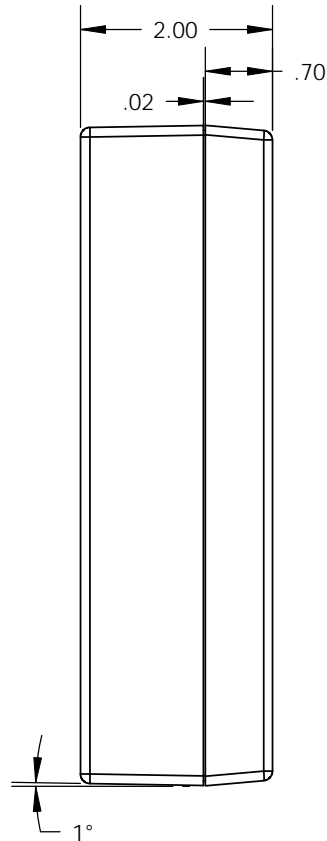
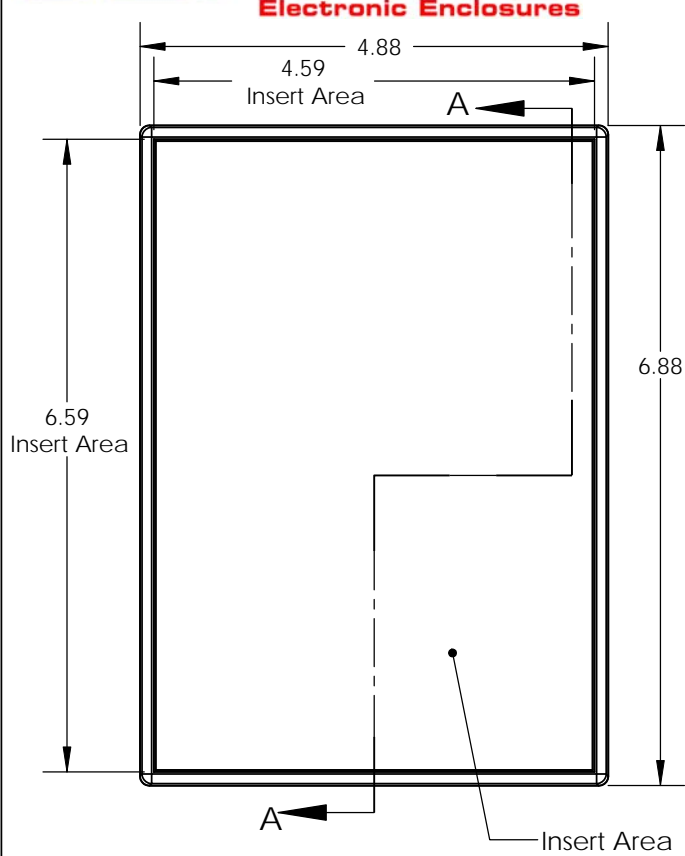
Notes: (Enclosure weight 0.48 lb / 217 gm)  
 1) Enclosure meets or exceeds IP40 and NEMA 1  
 2) Circuit Board drawing can be download at:  
<http://www.serpac.com/Accessories/CircuitBoard/drawings/379-479-cbg.pdf>  
 3) All components are RoHS Compliant.

PART NO.	DESCRIPTION (Included)	ACCESSORIES (Optional) More available; see website	
7-2C	TOP	PART NO.	DESCRIPTION
27	BOTTOM	379	Prototype grid board (bottom)
1025	Battery Cover	479	Prototype clad board (bottom)
6005	#4X3/8" Self tapping (4)	50	Non-skid feet
		6004	Screws for circuit boards

**ALL DIMENSIONS ARE ±.010" 5/13/10 (1 of 2)**  
 2009 Wright Ave. La Verne, CA 91750  
 Ph. (626) 331-0517 Fx. (626) 331-8584 [serpac.com](http://serpac.com)

# SERPAC 272C (user print)

Electronic Enclosures



PART NO.	DESCRIPTION (Included)	ACCESSORIES (Optional) More available; see website	
		PART NO.	DESCRIPTION
7-2C	TOP	379	Prototype grid board (bottom)
27	BOTTOM	479	Prototype clad board (bottom)
1025	Battery Cover	50	Non-skid feet
6005	#4X3/8" self tapping (6)	6004	Screws for circuit board

Notes: (Enclosure weight 0.48 lb / 217 gm)  
 1) Enclosure meets or exceeds IP40 and NEMA 1  
 2) Circuit Board drawing can be download at:  
<http://www.serpac.com/Accessories/CircuitBoard/drawings/379-479-cbg.pdf>  
 3) All components are RoHS Compliant.

ALL DIMENSIONS ARE ±.010" 5/13/10 (2 of 2)  
 2009 Wright Ave. La Verne, CA 91750  
 Ph. (626) 331-0517 Fx. (626) 331-8584 www.serpac.com