

THIS DRAWING IS UNPUBLISHED.

RELEASED FOR PUBLICATION JAN , 2006.

© COPYRIGHT 2006 By -

ALL RIGHTS RESERVED.

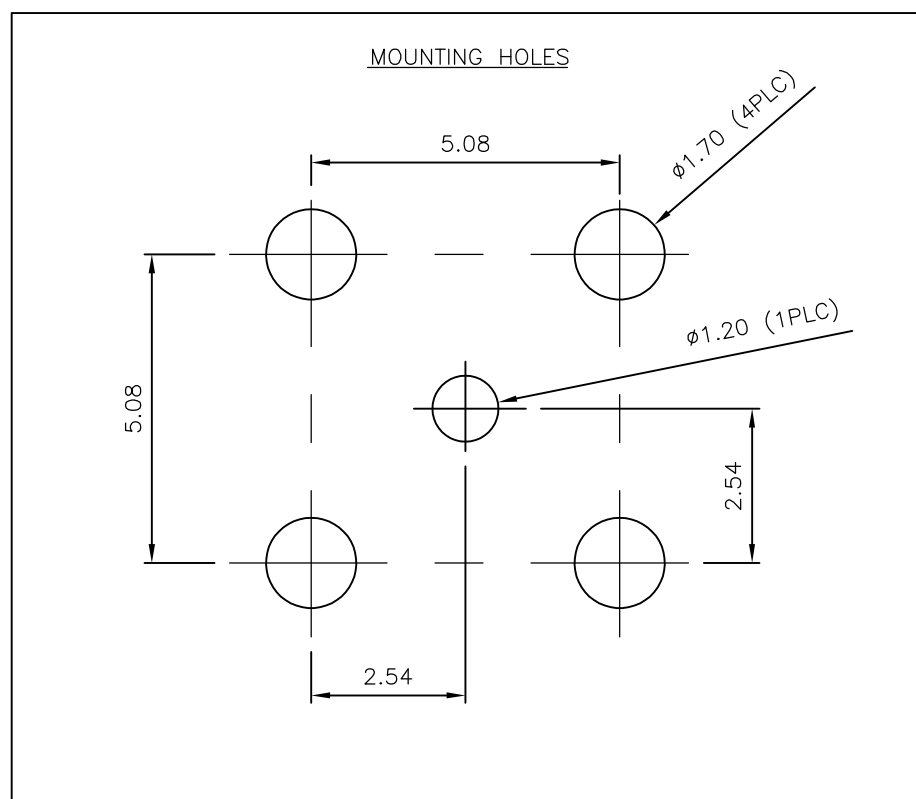
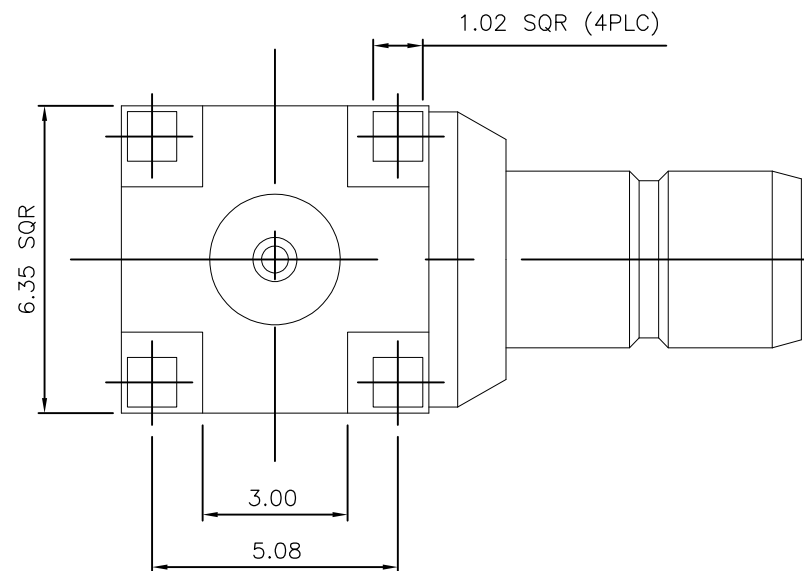
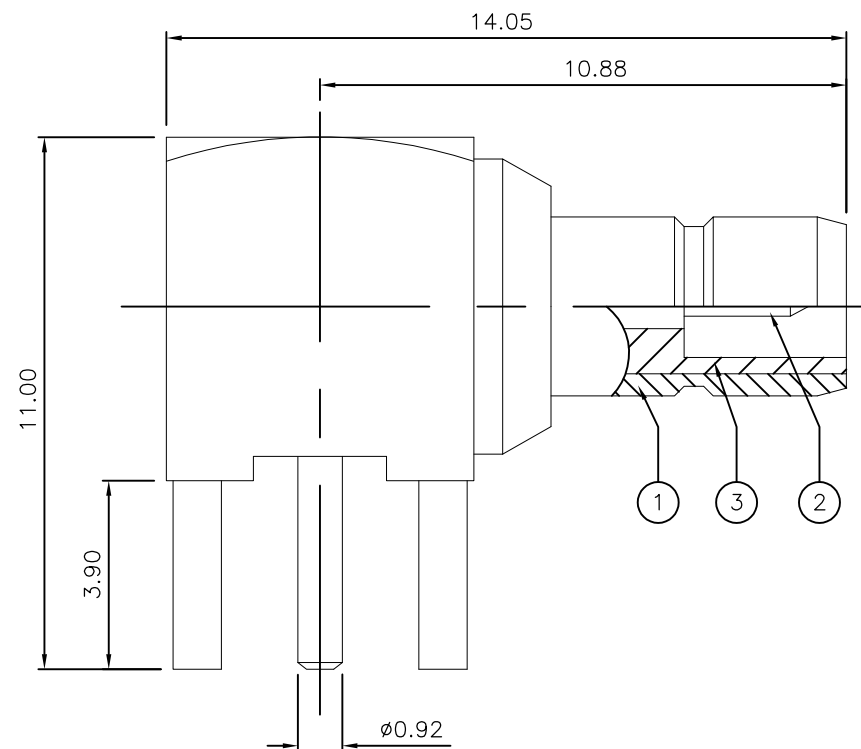
LOC E DIST B

REVISIONS

P	LTR	DESCRIPTION	DATE	DWN	APVD
	D2	REVISED PER ECO-11-005033	01APR11	RK	HMR
	E	REVISED PER ECO-11-011725	11SEP06	TITAN	MARTIN

NOTES:

- 1 PACK IN ACCORDANCE WITH AMP SPEC 107-3275
- 2 100 TRAY PACK IN ACCORDANCE WITH AMP SPEC 107-3275
- 3 Au PLATING
- 4 ELECTRICAL CHARACTERISTICS
 FREQUENCY RANGE: DC - 4 GHz
 NOMINAL IMPEDANCE: 50 Ohm
 INSULATION RESISTANCE: 1000 MOhm
 WORKING VOLTAGE: 250 Volts RMS at Sea Level
 DIELECTRIC WITHSTAND VOLTAGE: 750 Volts RMS Max
 CONTACT RESISTANCE:
 CENTRE CONTACT: 6.00 mOhm Max
 OUTER CONTACT: 1.00 mOhm Max
- 5 MECHANICAL CHARACTERISTICS
 DURABILITY: 500 Cycles Min
- 6 ENVIRONMENTAL CHARACTERISTICS
 OPERATING TEMPERATURE: -65 to +165 DegC
- 7 FOR TECHNICAL DATA REFER TO YOUR LOCAL
 TE CONNECTIVITY SALES OFFICE
- 8 ALL DIMENSIONS ARE NOMINAL FOR REFERENCE
 ONLY UNLESS OTHERWISE STATED



QUANTITY PER ASSY	DESCRIPTION	ITEM
1	PTFE INSULATION	3
1	BRASS CONTACT	2
1	BRASS BODY	1
6--0	MATERIAL	DESCRIPTION
1--0		ITEM

THIS DRAWING IS A CONTROLLED DOCUMENT.		DWN J.SANDWELL 12JAN06			
DIMENSIONS: mm		CHK S.PARLOW 12JAN06			
TOLERANCES UNLESS OTHERWISE SPECIFIED:		APVD F.WHEELER-KING 12JAN06			
0 PLC ± - 1 PLC ± 0.2 2 PLC ± 0.15 3 PLC ± 0.1 4 PLC ± - ANGLES ± 5°		NAME			
MATERIAL SEE TABLE	FINISH -	PRODUCT SPEC -	SMB ELBOW PCB SOCKET 50 OHM		
		APPLICATION SPEC -	SIZE A3	CAGE CODE 00779	DRAWING NO C-1337481
		WEIGHT -	RESTRICTED TO -		
		CUSTOMER DRAWING	SCALE NTS	SHEET 1 OF 1	REV E