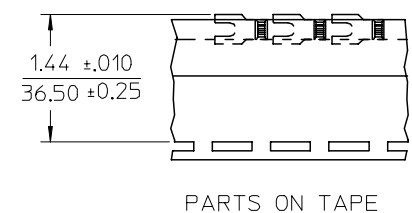
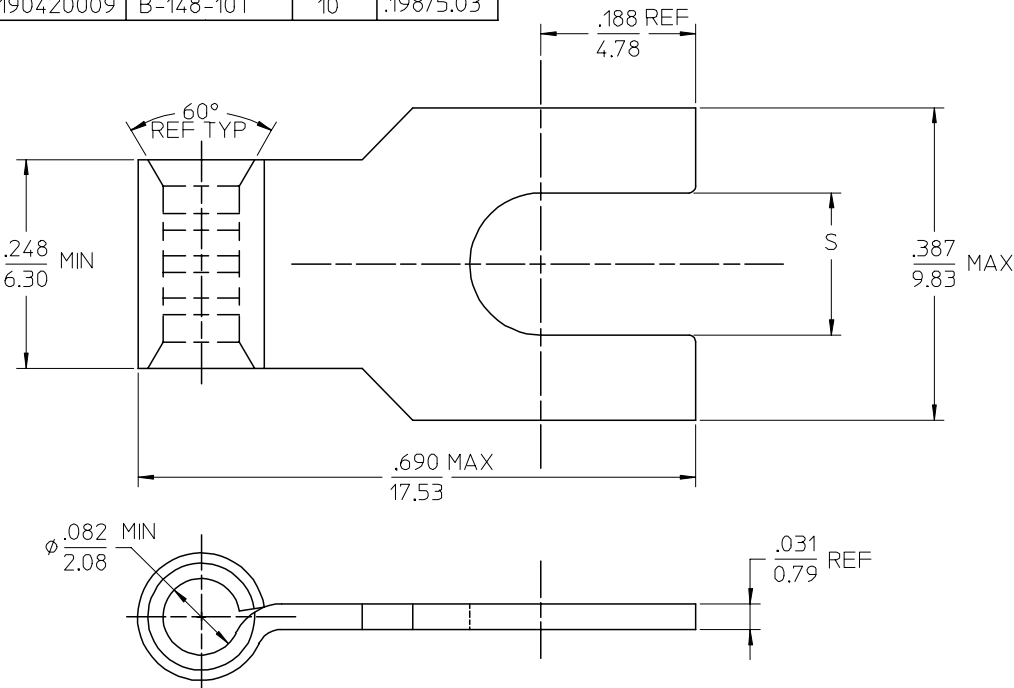


MATERIAL NUMBER	ENGINEERING NUMBER	TAPE MATERIAL NUMBER	TAPE ENGINEERING NUMBER	STUD SIZE	S ±.005/0.13
190420004	B-148-06	190420005	B-148-06T	06	.146/3.71
190420006	B-148-08	190420007	B-148-08T	08	.173/4.39
190420008	B-148-10	190420009	B-148-10T	10	.198/5.03



PARTS ON TAPE

SALES DRAWING

- NOTES:
- MATERIAL: COPPER
PLATING ELECTRO TIN.

NEW RELEASE EC NO: ETC2005-0122 DRW: BENDERLE 2005/02/15 CHKDR: DEROSS 2005/02/15 APPR: RDEROSS 2005/02/15	DESCRIPTION A	QUALITY SYMBOLS ▽=0 ▽=0	GENERAL TOLERANCES (UNLESS SPECIFIED)		DIMENSION STYLE	SCALE	DESIGN UNITS	THIRD ANGLE PROJECTION		
					IN/MM	4:1	INCH			
			4 PLACES	± ---	± ---	DRAWN BY	DATE	TITLE		
			3 PLACES	± ---	± ---	BENDERLE	2005/02/01	FLAG SPADE TONGUE TERMINAL KRIMPTITE 16-14 AWG		
2 PLACES	± ---	± ---	CHECKED BY	DATE	MATERIAL NO.					
1 PLACE	± ---	± ---	RDEROSS	2005/02/01	SD-19042-001					
ANGULAR ± ---°			APPROVED BY	DATE	SHEET NO.					
			RDEROSS	2005/02/01	1 OF 1					
DRAFT WHERE APPLICABLE MUST REMAIN WITHIN DIMENSIONS			MATERIAL NO. SEE CHART		THIS DRAWING CONTAINS INFORMATION THAT IS PROPRIETARY TO MOLEX INCORPORATED AND SHOULD NOT BE USED WITHOUT WRITTEN PERMISSION					