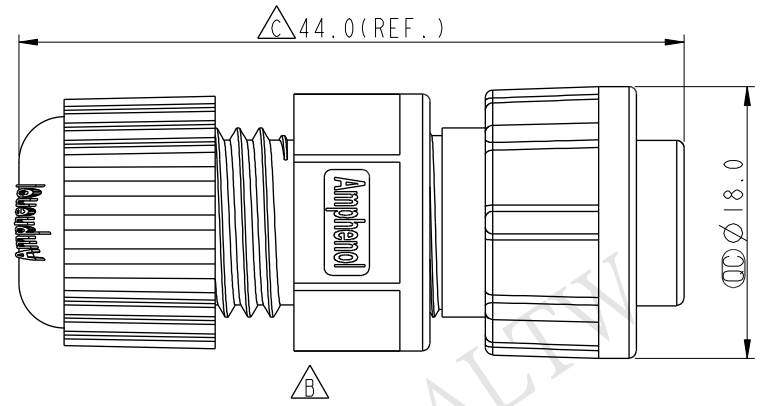
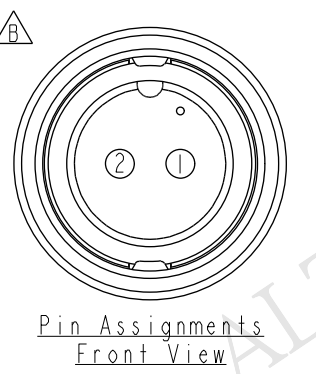
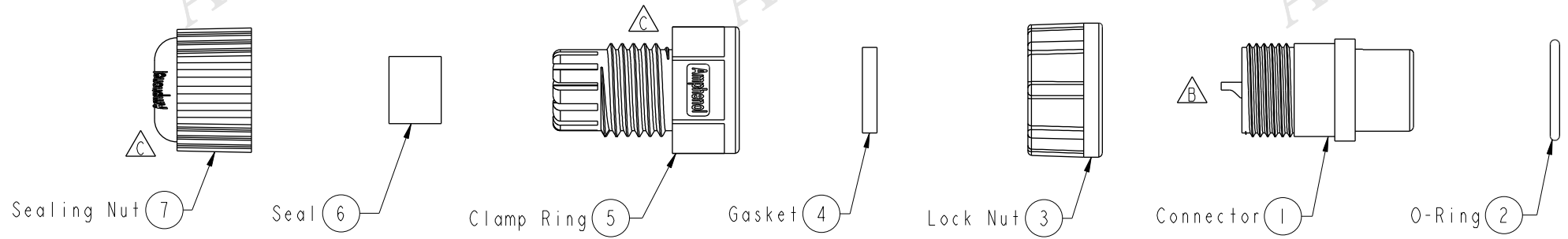
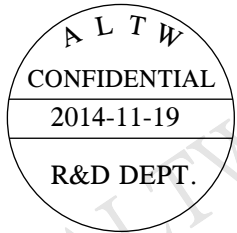


REV.	ECN NO.	DATE	SIGN	DESCRIPTION
B	LEN-0C0504	2010/11/29	Ivan	Change View
C	LEN14C0021	2014/11/19	Vicky	Update Logo & Dimension



- Note:
- * \varnothing Important Dimension To Check.
 - * Waterproof Rate: IP67
 - * Housing: Nylon+GF, Black
 - * Female Pin: Copper Alloy, Gold Plated
 - * O-Ring: EPDM, Black
 - * Lock Nut: Nylon+GF, Black
 - * Gasket: EPDM, Black
 - * Clamp Ring: Nylon, Black
 - * Seal: EPDM, Black
 - * Sealing Nut: Nylon, Black
 - * Seal For Cable OD: $\varnothing 4.5\text{mm} \sim \varnothing 6.5\text{mm}$
(防水墊圈線徑: $\varnothing 4.5\text{mm} \sim \varnothing 6.5\text{mm}$)
 - * One Set Unassembled In One PE Bag
(每一組未組裝, 放置於一個PE袋, 並封口)

UNIT:mm TOLERANCE .X ±0.25 .XX ±0.1 .XXX ±0.05 ANGLES ±1°	TITLE Standard 2Pin F Conn. For Assy			Amphenol LTW 安費諾亮泰企業股份有限公司		ITEM NO BD-02BFFA-LL7001	DRAWN BY Vicky	DATE 2014-11-19
	SCALE 5:4	SIZE A4	SHEET 1 OF 1			DWG NO BD-02BFFA-LL7001	CHECKED BY Sam	DATE 2014-11-19
	REV. C	WC-REV. A.5	QC: Inspection item	CUSTOMER ALTW	APPROVED BY Rita	DATE 2014-11-19		
								8 FMM10702-01-02A1

THIS DOCUMENT IS SUBJECT TO CHANGE WITHOUT NOTICE. IT IS CONFIDENTIAL AND A PROPERTY OF Amphenol LTW. DISCLOSURE TO THIRD PARTY HAS TO BE AUTHORIZED BY Amphenol LTW.