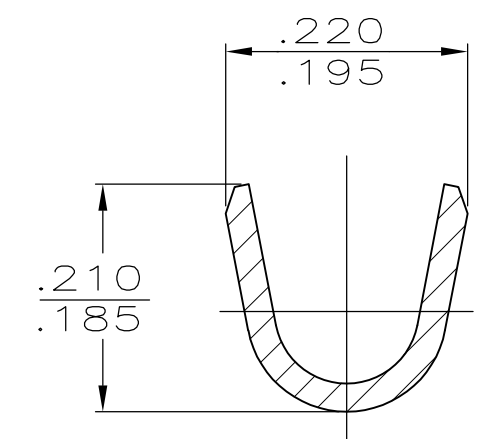
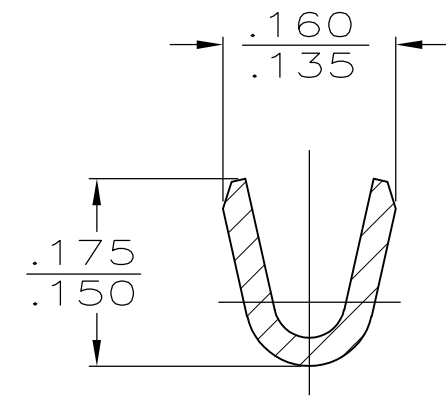
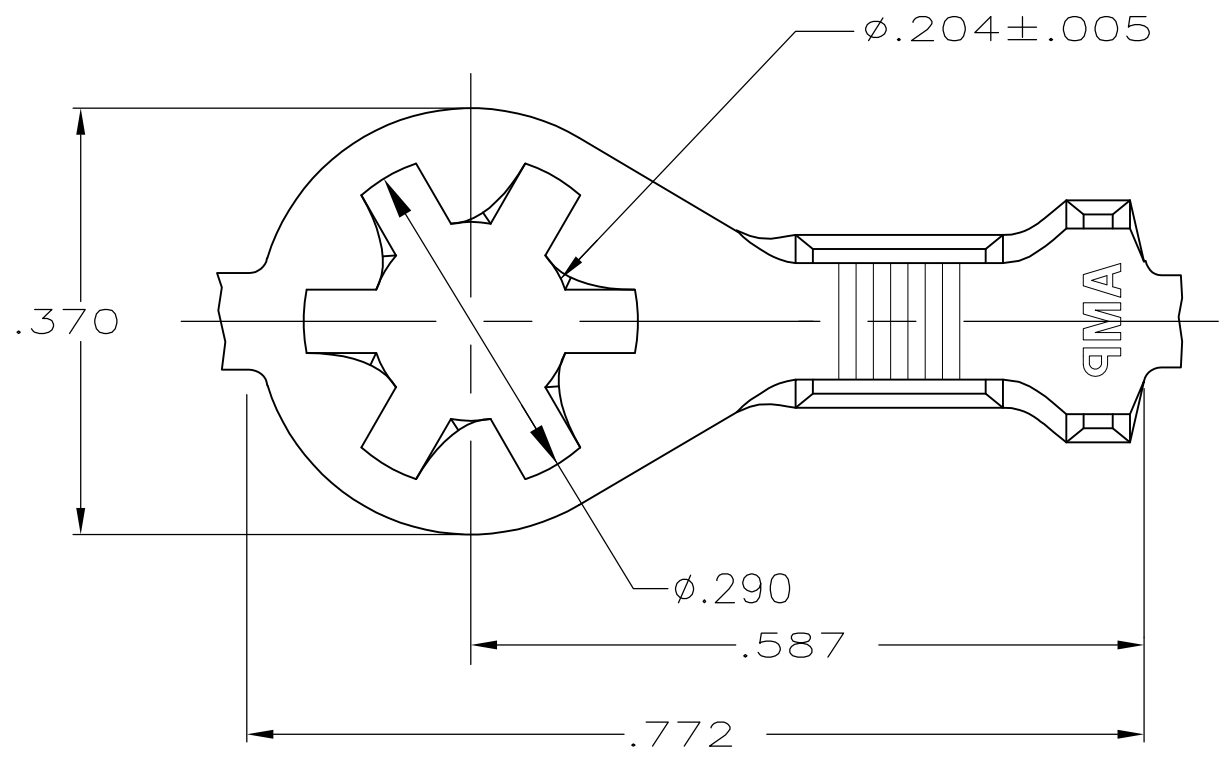


THIS DRAWING IS UNPUBLISHED. RELEASED FOR PUBLICATION  
 © COPYRIGHT BY TYCO ELECTRONICS CORPORATION. ALL RIGHTS RESERVED.

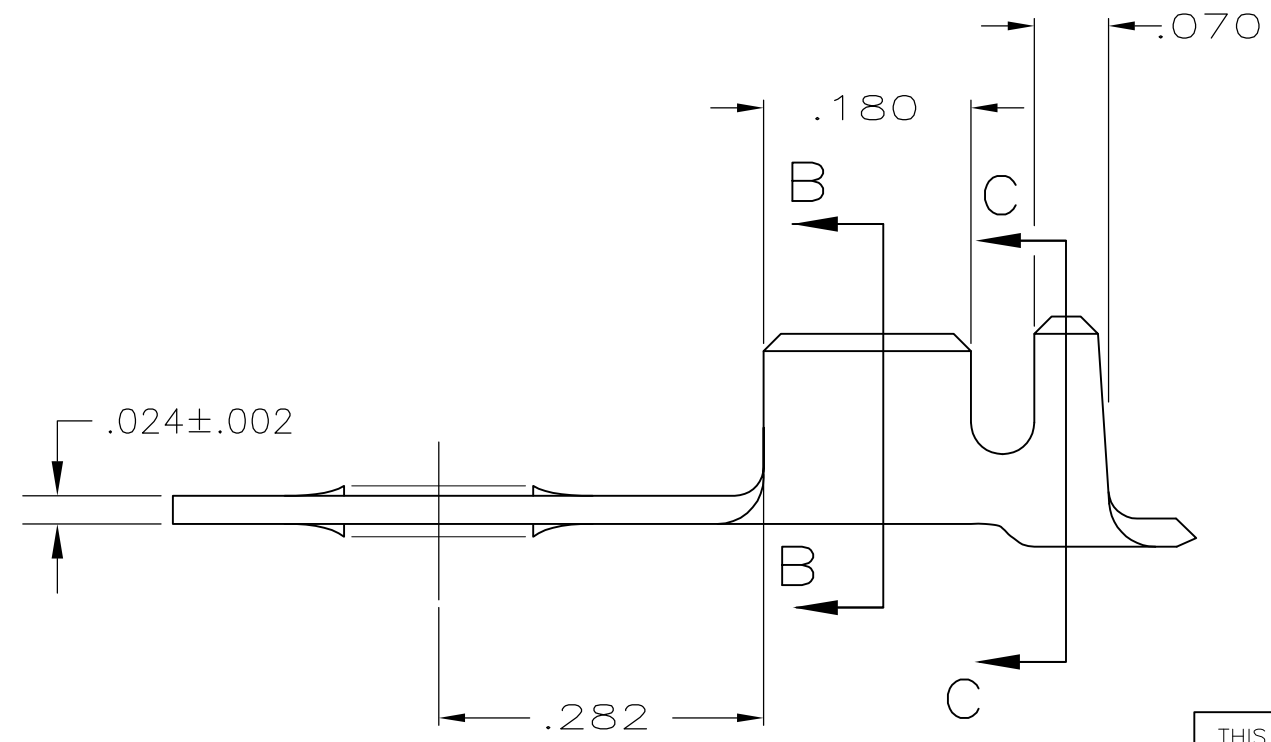
LOC	DIST	REVISIONS					
AF	50	P	LTR	DESCRIPTION	DATE	DWN	APVD
			D2	REVISED PER ECR-10-005263	10MAR10	HMR	PD

1 CONTINUOUS STRIP, ON REELS



SECTION B-B

SECTION C-C



.105 - .145	18 - 14	640052-1
INSULATION RANGE	WIRE RANGE	Part Number

THIS DRAWING IS A CONTROLLED DOCUMENT.		DWN	10APR08	Tyco Electronics Corporation	
		RAGHAVENDRA		Harrisburg, PA 17105-3608	
DIMENSIONS: INCHES		CHK	10APR08	NAME	
TOLERANCES UNLESS OTHERWISE SPECIFIED:		D.F. DECKER		RING	
		APVD	10APR08	SIZE	
0 PLC ± -		D.F. DECKER		CAGE CODE	
1 PLC ± -		PRODUCT SPEC		DRAWING NO	
2 PLC ± -		APPLICATION SPEC		RESTRICTED TO	
3 PLC ± .015		WEIGHT	-	A3 00779 C-640052	
4 PLC ± -		CUSTOMER DRAWING			
ANGLES ± -		SCALE 6:1 SHEET 1 OF 1 REV D2			
FINISH		NONE			
MATERIAL		STAINLESS STEEL			