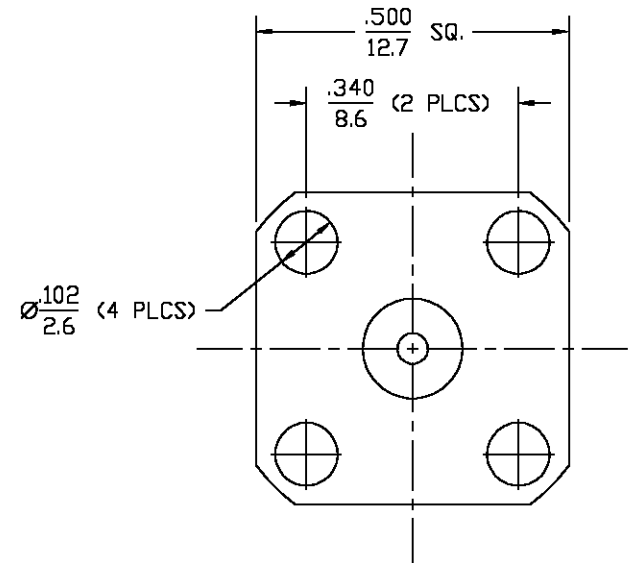
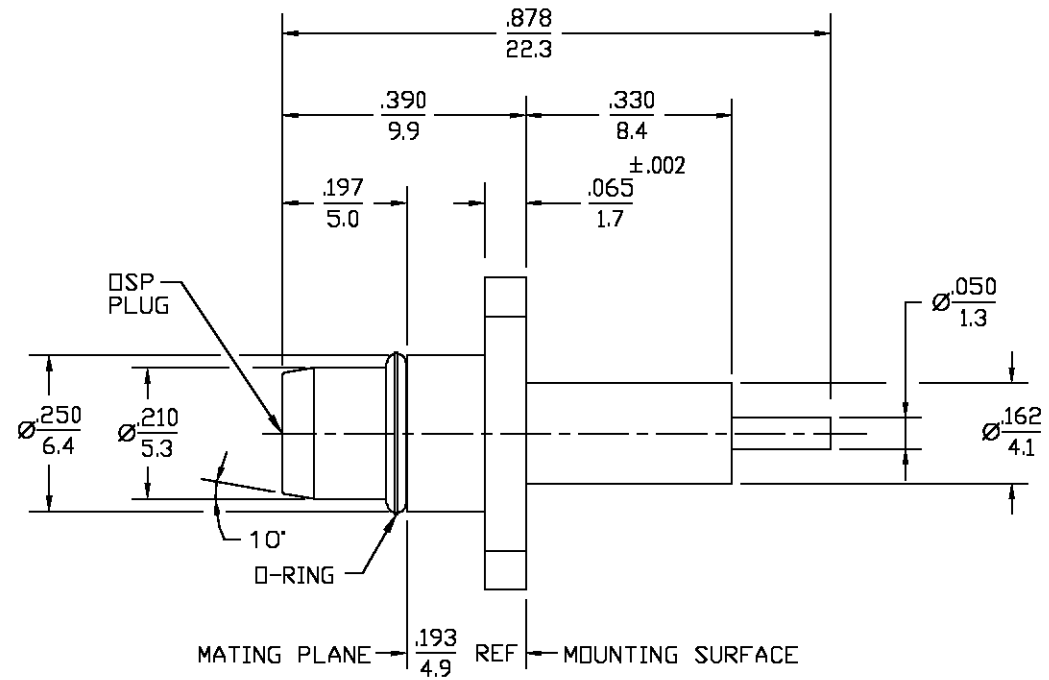


REVISIONS			
REV	DESCRIPTION	DATE	APPROVED
03 ₂	REVISED	7/18/97	<i>[Signature]</i>
C	REVISED PER ECN 0S14-0146-02	G.V. 21MAY03	JGH



ELECTRICAL	MECHANICAL	ENVIRONMENTAL
Nominal Impedance (Ohms) <u>50</u>	Interface Dimensions <u>MIL-STD-348A FIG. 321-1</u>	TEMPERATURE RATING <u>-65° TO +125°C</u>
Frequency Range (GHz) DC to <u>18</u>	Force to Engage (In-Lbs MAX) <u>3</u>	Vibration MIL-STD-202, Method 204, Condition D
Volt Rating (VRMS MAX) @ Sea Level <u>500</u>	& Disengage (In-Lbs MAX) <u>1.5</u>	Shock MIL-STD-202, Method 213, Condition I
VSWR <u>1.05+0.05f(GHz)</u> DC to 18 GHz	Center Contact Captivation	Thermal Shock MIL-STD-202, Method 107, Condition B
Insertion Loss (dB MAX) <u>.03x√f(GHz)</u>	Axial (Lbs) <u>6.0</u>	Moisture Resistance MIL-STD-202, Method 106
RF Leakage (dB MIN) (Fully Mated) <u>-(60-f(GHz))</u>	Weight (Grams) <u>TBD</u>	Corrosion - MIL-STD-202, Method 101, Condition B
Corona, 70,000 Ft (VRMS MIN) <u>335</u>		
Dielectric Withstanding Voltage (VRMS MIN) @ Sea Level <u>1000</u>		
Contact Resistance (Milliohms MAX)		
Center Contact <u>2.0</u>		
Outer Contact <u>2.0</u>		
RF High Potential @ Sea Level (VRMS MIN @ 5 MHz) <u>1000</u>		
I.R.(Megohms MIN) <u>5000</u>		

COMPONENT	MATERIAL	FINISH
HOUSING	STAINLESS STEEL PER ASTM-A484 AND ASTM-A582, TYPE 303	PASSIVATE PER QQ-P-35
DIELECTRIC	PTFE FLUOROCARBON PER ASTM-D-1457	N/A
CENTER CONTACT	BRASS PER ASTM B 16	GOLD PLATE PER MIL-G-45204
O-RING	FLOUROSILOCONE PER MIL-R-25988, CLASS I, TYPE I.	N/A

UNLESS OTHERWISE SPECIFIED DIMENSIONS ARE IN INCHES	DRAWN BY JP	DATE 4/13/83
TOLERANCE ON	CHECKED BY AJA	DATE 2/7/84
FRAC. DEC. ANGLES	APP'D BY JB	DATE 2/27/84
± 1/64 ±.005 ± 1°		

AMP Incorporated
140 Fourth Avenue
Waltham, MA 02451-7599

TITLE OSP 4 HOLE FLANGE MOUNT PLUG RECEPTACLE STRAIGHT TERMINAL			
USE ASS'Y PROCEDURE	NO. A.P. <u>N/A</u>	SIZE B	CODE IDENT NO. 26805
		SCALE 4:1	REV 03 ₂
		SHEET 1 OF 1	

.XXX = in
XX.X = mm (REF)