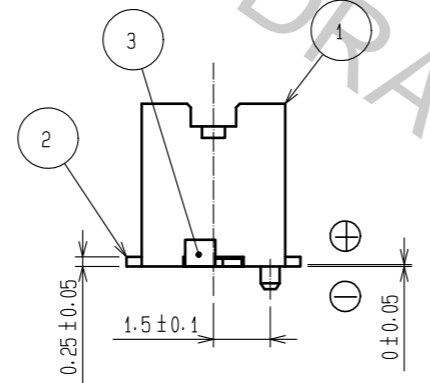
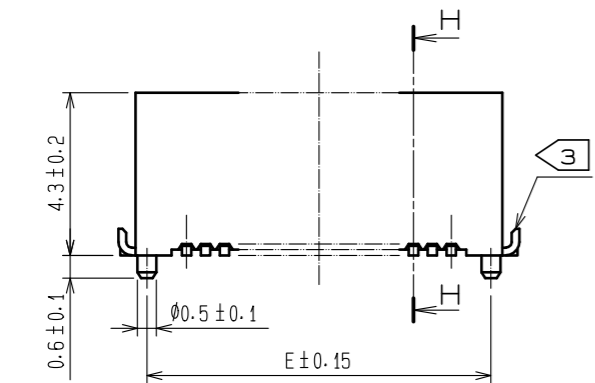
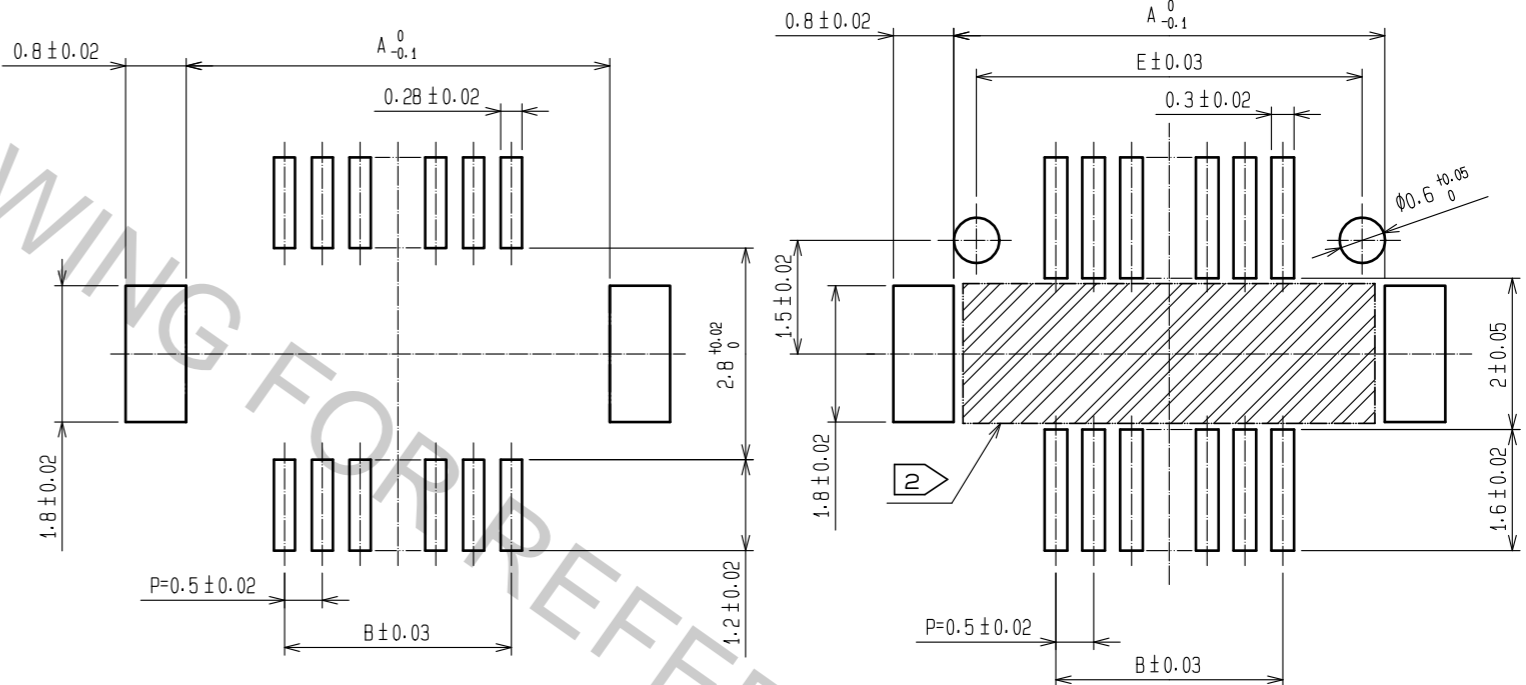


| CODE No. | CONTACT | A | B | C | D | E | F | G |
|-----------------|---------|------|------|------|------|------|------|------|
| CL537-0153-9-86 | 20 | 7.2 | 4.5 | 5.3 | 5.7 | 6.6 | 5.3 | 8.1 |
| CL537-0155-4-86 | 30 | 9.7 | 7.0 | 7.8 | 8.2 | 9.1 | 7.8 | 10.6 |
| CL537-0156-7-86 | 36 | 11.2 | 8.5 | 9.3 | 9.7 | 10.6 | 9.3 | 12.1 |
| CL537-0157-0-86 | 40 | 12.2 | 9.5 | 10.3 | 10.7 | 11.6 | 10.3 | 13.1 |
| CL537-0159-5-86 | 50 | 14.7 | 12.0 | 12.8 | 13.2 | 14.1 | 12.8 | 15.6 |
| CL537-0161-7-86 | 60 | 17.2 | 14.5 | 15.3 | 15.7 | 16.6 | 15.3 | 18.1 |

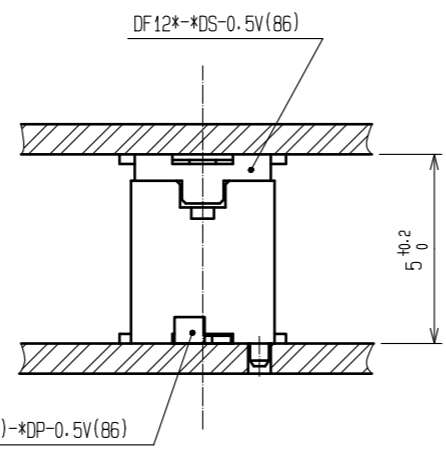
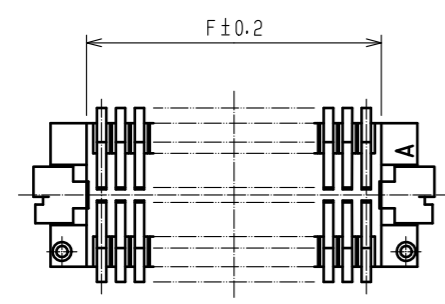


RECOMMEND METAL MASK PATTERN (10:1)

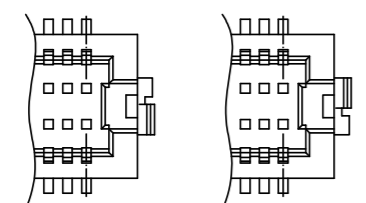
RECOMMENDED PATTERN (10:1)



RECOMMENDED THICKNESS OF SOLDER PASTE : 120 μm



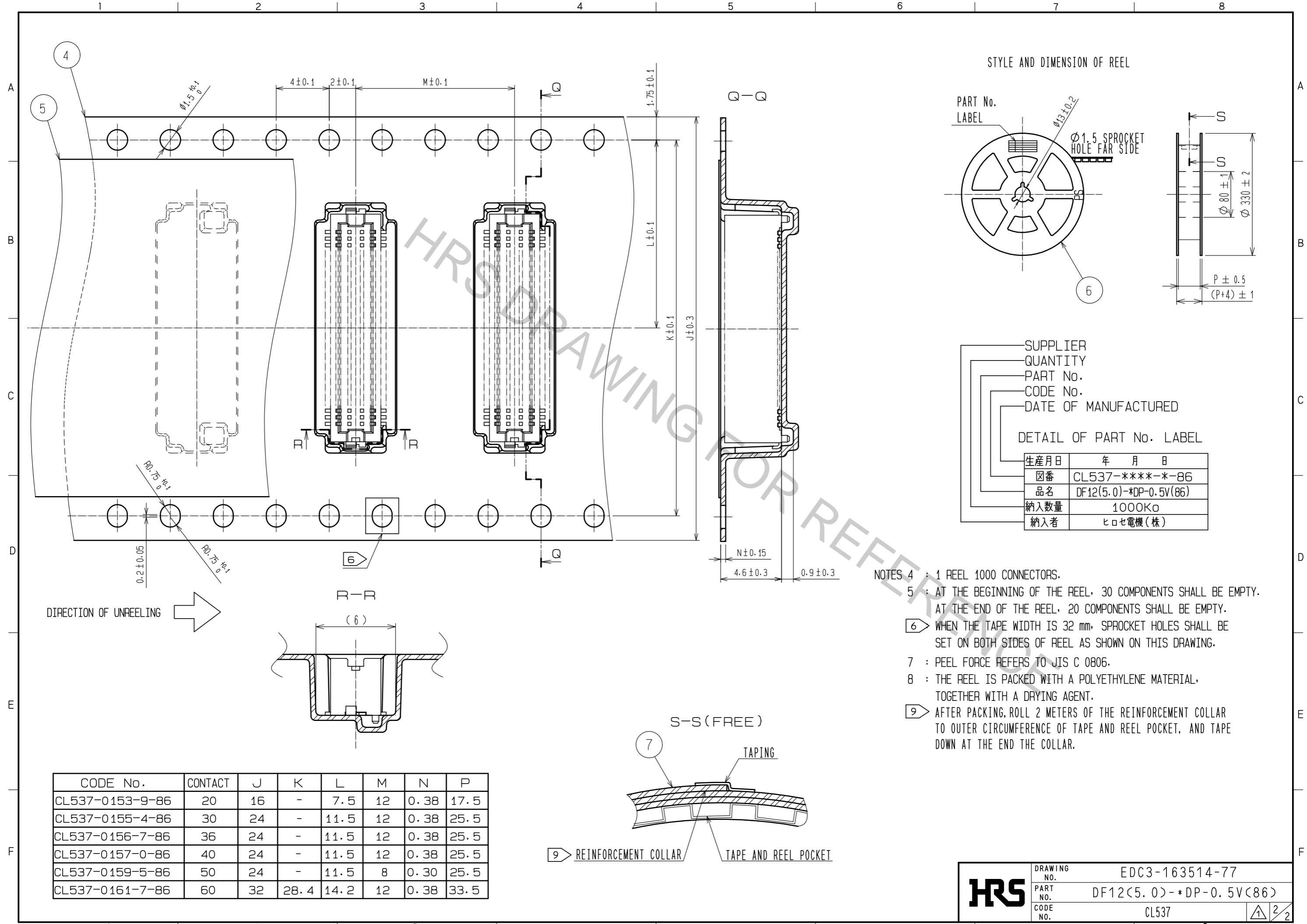
NOTES 1 : LEAD CO-PLANARITY INCLUDING REINFORCED METAL FITTINGS SHALL BE 0.08 mm MAX.
 2 : IF THERE IS PATTERN ON [Hatched] PART, THERE IS A POSSIBILITY THAT IT WILL MAKE CONTACT WITH THE LEADS.
 3 : REINFORCED METAL FITTINGS AS FOLLOWS.



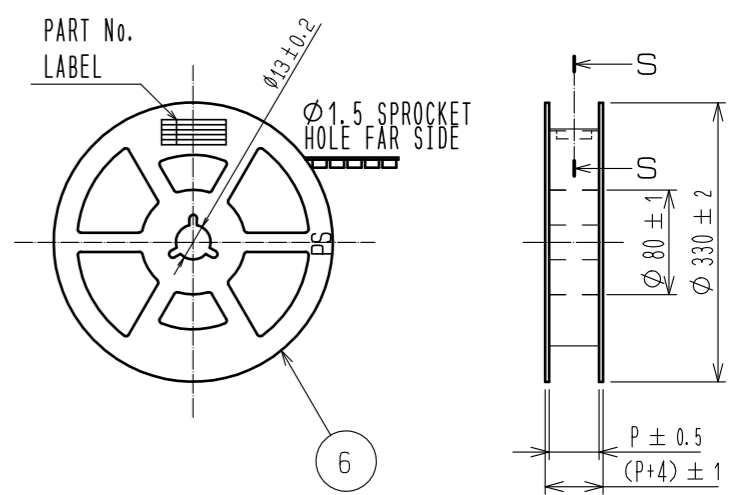
| NO. | MATERIAL | FINISH | REMARKS | NO. | MATERIAL | FINISH | REMARKS |
|-----|-----------------|--------|--|-----|-----------|--------|--|
| 2 | PHOSPHOR BRONZE | | CONTACT AREA:GOLD PLATED 0.2μm min LEAD AREA:GOLD PLATED 0.015μm OTHERS(UNDER PLATING):NICKEL PLATED 2μm min | 7 | PS | | CLEAR (REINFORCEMENT COLLAR) |
| 1 | POLYAMIDE | | UL94V-0·NATURAL (BEIGE) | 6 | PS | | BLACK (PLASTIC REEL) |
| | | | | 5 | POLYESTER | | CLEAR (COVER TAPE) |
| | | | | 4 | PS | | CLEAR (EMBOSSED CARRIER TAPE) |
| | | | | 3 | BRASS | | TIN PLATED 2μm min (UNDER PLATING):NICKEL 1μm min |

| UNITS | SCALE | COUNT | DESCRIPTION OF REVISIONS | DESIGNED | CHECKED | DATE |
|-------|-------|-------|--------------------------|------------|--------------|----------|
| mm | 5 : 1 | 1 | DIS-H-00001707 | SH. HOSODA | TS. MIYAZAKI | 16.06.10 |

| APPROVED | CHECKED | DESIGNED | DRAWN | DRAWING NO. | PART NO. | CODE NO. |
|-----------|--------------|-------------|-------------|----------------|------------------------|----------|
| KH. IKEDA | TS. MIYAZAKI | YH. MICHIDA | YH. MICHIDA | EDC3-163514-77 | DF12(5.0)-*DP-0.5V(86) | CL537 |



STYLE AND DIMENSION OF REEL



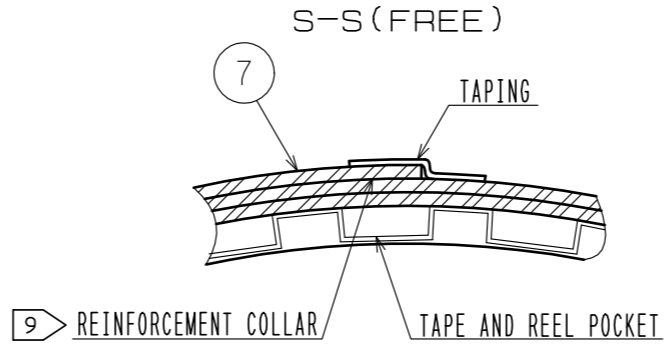
- SUPPLIER
- QUANTITY
- PART No.
- CODE No.
- DATE OF MANUFACTURED

DETAIL OF PART No. LABEL

| | |
|------|------------------------|
| 生産月日 | 年 月 日 |
| 図番 | CL537-****-*-86 |
| 品名 | DF12(5.0)-*DP-0.5V(86) |
| 納入数量 | 1000K ϕ |
| 納入者 | ヒロセ電機(株) |

- NOTES 4 : 1 REEL 1000 CONNECTORS.
 5 : AT THE BEGINNING OF THE REEL, 30 COMPONENTS SHALL BE EMPTY.
 AT THE END OF THE REEL, 20 COMPONENTS SHALL BE EMPTY.
 6 : WHEN THE TAPE WIDTH IS 32 mm, SPROCKET HOLES SHALL BE SET ON BOTH SIDES OF REEL AS SHOWN ON THIS DRAWING.
 7 : PEEL FORCE REFERS TO JIS C 0806.
 8 : THE REEL IS PACKED WITH A POLYETHYLENE MATERIAL, TOGETHER WITH A DRYING AGENT.
 9 : AFTER PACKING, ROLL 2 METERS OF THE REINFORCEMENT COLLAR TO OUTER CIRCUMFERENCE OF TAPE AND REEL POCKET, AND TAPE DOWN AT THE END THE COLLAR.

| CODE No. | CONTACT | J | K | L | M | N | P |
|-----------------|---------|----|------|------|----|------|------|
| CL537-0153-9-86 | 20 | 16 | - | 7.5 | 12 | 0.38 | 17.5 |
| CL537-0155-4-86 | 30 | 24 | - | 11.5 | 12 | 0.38 | 25.5 |
| CL537-0156-7-86 | 36 | 24 | - | 11.5 | 12 | 0.38 | 25.5 |
| CL537-0157-0-86 | 40 | 24 | - | 11.5 | 12 | 0.38 | 25.5 |
| CL537-0159-5-86 | 50 | 24 | - | 11.5 | 8 | 0.30 | 25.5 |
| CL537-0161-7-86 | 60 | 32 | 28.4 | 14.2 | 12 | 0.38 | 33.5 |



| | | |
|-----|-------------|------------------------|
| HRS | DRAWING NO. | EDC3-163514-77 |
| | PART NO. | DF12(5.0)-*DP-0.5V(86) |
| | CODE NO. | CL537 |
| | | |