

DESCRIPTION

Demonstration circuit 760 is a Dual, 1.1MHz Boost/Inverter in 3mmx 3mm DFN featuring the LT3472EDD. The demo circuit demonstrates small size and low component count in a Boost Circuit and an Inverting Circuit. The Boost Converter is designed to convert a 2.7V-4.2V input to 15V output at 25mA-45mA load. The Inverting Circuit generates a -8V output at 35mA-65mA from the same input. Since the maximum V_{in} of the LT3472DD is 16V, this demo circuit will work well at higher inputs. The only limitation is the 10V rating of the input capacitor. The LT3472 features integrated Schottky diodes for both outputs and requires only one resistor (per output) to set the

output voltage. Both circuits are designed to demonstrate the capacitor programmable Soft-Start feature, advantages of the 1.1MHz constant switching frequency and the internal 36V switches. Both outputs on this demo circuit can be modified for higher voltages. These circuits are intended for space-conscious applications such as CCD Bias, TFT LCD Bias, OLED Bias and +/- Rail Generation for Op Amps.

Design files for this circuit board are available. Call the LTC factory.

LT is a trademark of Linear Technology Corporation

Table 1. Performance Summary ($T_A = 25^\circ\text{C}$)

PARAMETERS FOR 15V BOOST CIRCUIT	CONDITION	VALUE
Minimum Input Voltage		2.7V
Maximum Input Voltage		4.2V
Output Voltage V_{OUT}	$V_{IN} = 2.7V, I_{OUT} = 0mA \text{ to } 25mA$	$15V \pm 5\%$
Output Voltage V_{OUT}	$V_{IN} = 4.2V, I_{OUT} = 0mA \text{ to } 45mA$	$15V \pm 5\%$
Maximum Output Current	$V_{in} = 2.7V$	25mA
Maximum Output Current	$V_{in} = 4.2V$	45mA
Typical Output Ripple V_{OUT}	$V_{IN} = 3.3V, I_{OUT} = 35mA$	$20mV_{P-P}$
Typical efficiency	$V_{IN} = 4.2V, V_{out} = 15V@30mA \text{ and } -8V \text{ turned off}$	82%
PARAMETERS FOR -8V INVERTING CIRCUIT		VALUE
Output Voltage V_{OUT}	$V_{IN} = 2.7V, I_{OUT} = 0mA \text{ to } 35mA$	$-8V \pm 5\%$
Output Voltage V_{OUT}	$V_{IN} = 4.2V, I_{OUT} = 0mA \text{ to } 65mA$	$-8V \pm 5\%$
Maximum Output Current	$V_{in} = 2.7V$	35mA
Maximum Output Current	$V_{in} = 4.2V$	65mA
Typical Output Ripple V_{OUT}	$V_{IN} = 3.3V, I_{OUT} = 50mA$	$10mV_{P-P}$
Typical efficiency	$V_{IN} = 4.2V, V_{out} = 15V@0mA \text{ and } -8V@30mA$	71%

QUICK START PROCEDURE

Demonstration circuit 760A is easy to set up to evaluate the performance of the LT3472EDD. Refer to Figure 1 for proper measurement equipment setup and follow the procedure below:

NOTE: When measuring the input or output voltage ripple, care must be taken to avoid a long ground lead on the oscilloscope probe. Measure the input or output voltage ripple by touching the probe tip directly across the Vin or Vout and GND terminals. See Figure 2 for proper scope probe technique.

1. Place jumpers in the following positions:

JP1 On

2. With power off, connect the input power supply to Vin and GND.
3. Turn on the power at the input.
4. Check for the proper output voltages.

NOTE: If there is no output, temporarily disconnect the load to make sure that the load is not set too high.

5. Once the proper output voltages are established, adjust the loads within the operating range and observe the output voltage regulation, ripple voltage, efficiency and other parameters.

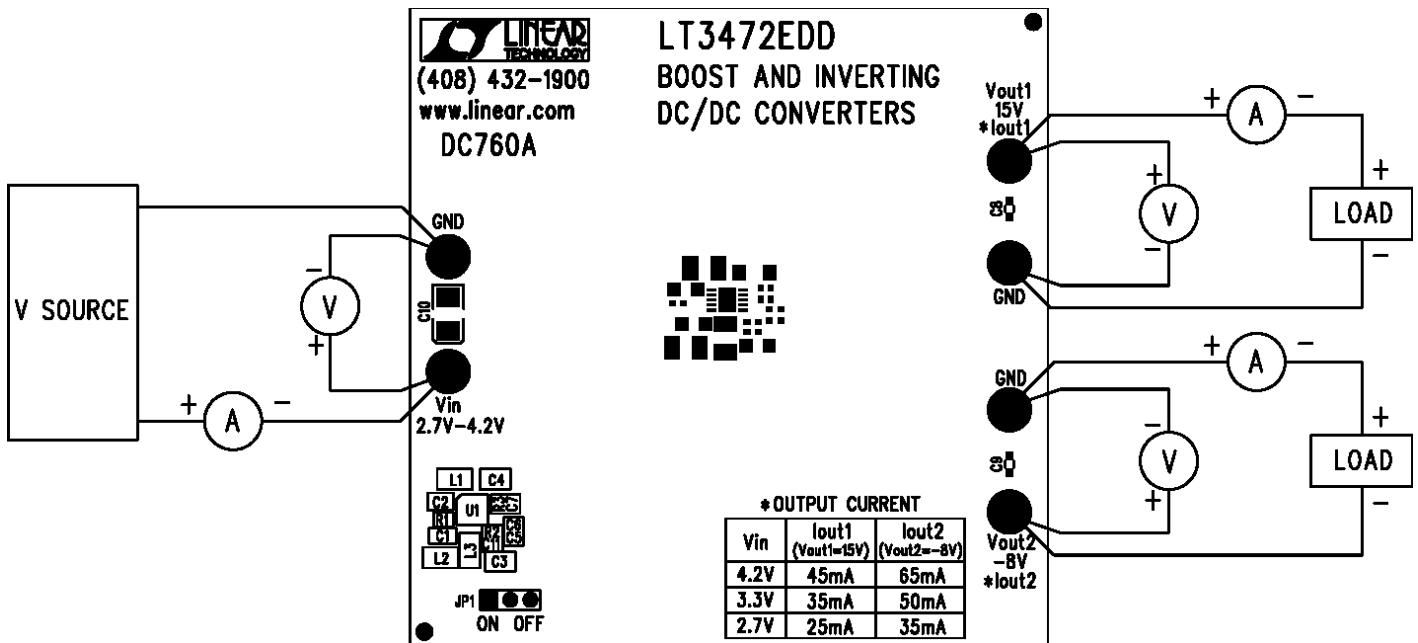


Figure 1. Proper Measurement Equipment Setup

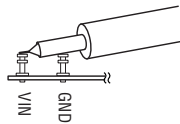
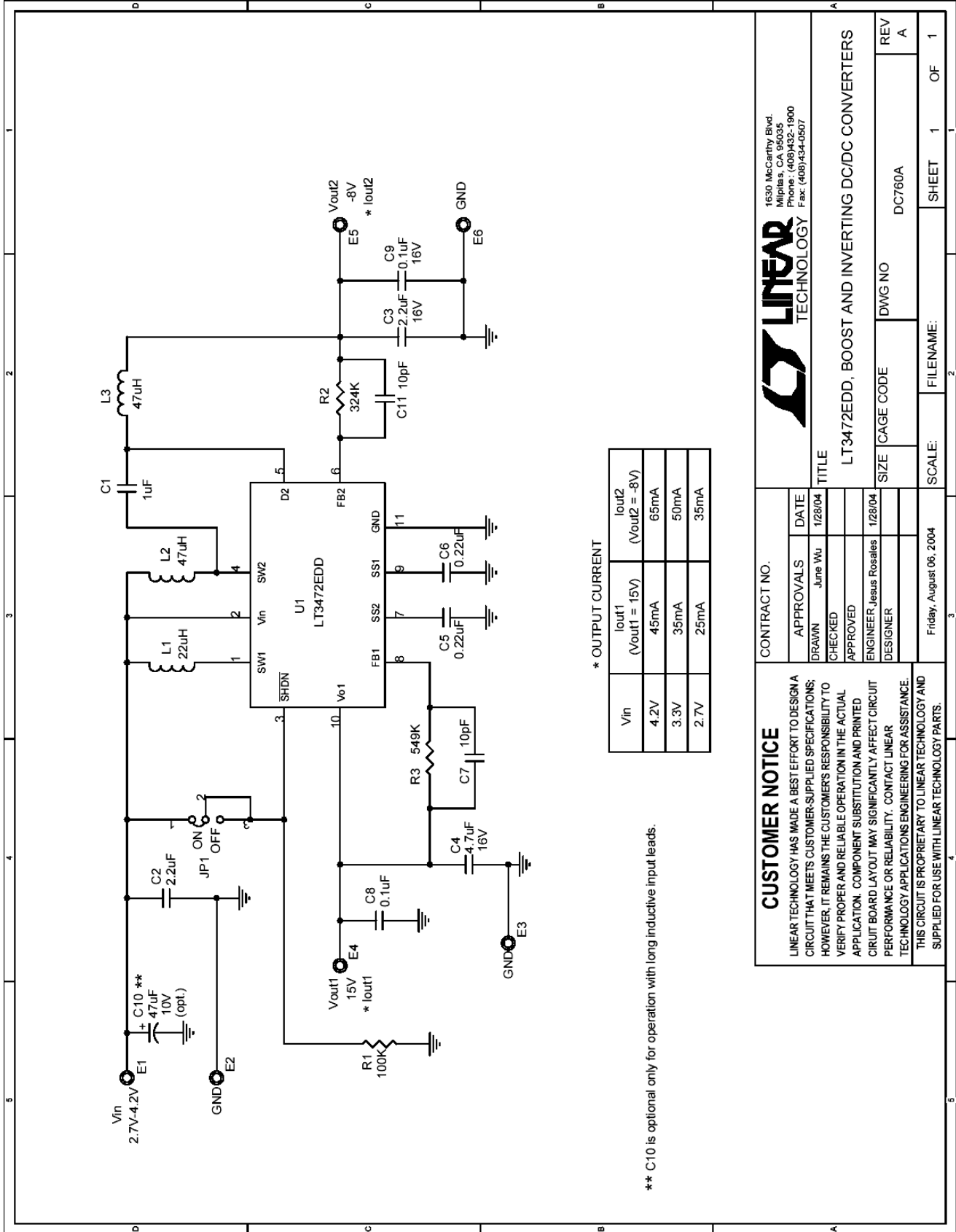


Figure 2. Measuring Input or Output Ripple

QUICK START GUIDE FOR DEMONSTRATION CIRCUIT 760

BOOST AND INVERTING DC/DC CONVERTERS



* OUTPUT CURRENT

Vin	Iout1	Iout2
4.2V	45mA	65mA
3.3V	35mA	50mA
2.7V	25mA	35mA

** C10 is optional only for operation with long inductive input leads.

CUSTOMER NOTICE

LINEAR TECHNOLOGY HAS MADE A BEST EFFORT TO DESIGN A CIRCUIT THAT MEETS CUSTOMER-SUPPLIED SPECIFICATIONS; HOWEVER, IT REMAINS THE CUSTOMER'S RESPONSIBILITY TO VERIFY PROPER AND RELIABLE OPERATION IN THE ACTUAL APPLICATION. COMPONENT SUBSTITUTION AND PRINTED CIRCUIT BOARD LAYOUT MAY SIGNIFICANTLY AFFECT CIRCUIT PERFORMANCE OR RELIABILITY. CONTACT LINEAR TECHNOLOGY APPLICATIONS ENGINEERING FOR ASSISTANCE.

THIS CIRCUIT IS PROPRIETARY TO LINEAR TECHNOLOGY AND SUPPLIED FOR USE WITH LINEAR TECHNOLOGY PARTS.

CONTRACT NO.

APPROVALS	DATE
DRAWN: June Wu	1/28/04
CHECKED:	
APPROVED:	
ENGINEER: Jesus Rosales	1/28/04
DESIGNER:	

Friday, August 06, 2004

1630 McCarthy Blvd.
Milpitas, CA 95035
Phone: (408)432-1900
Fax: (408)434-0507

TITLE
LT3472EDD, BOOST AND INVERTING DC/DC CONVERTERS

REV
A

SCALE:
1 OF 1

FILENAME:
DC760A

SHEET
1 OF 1