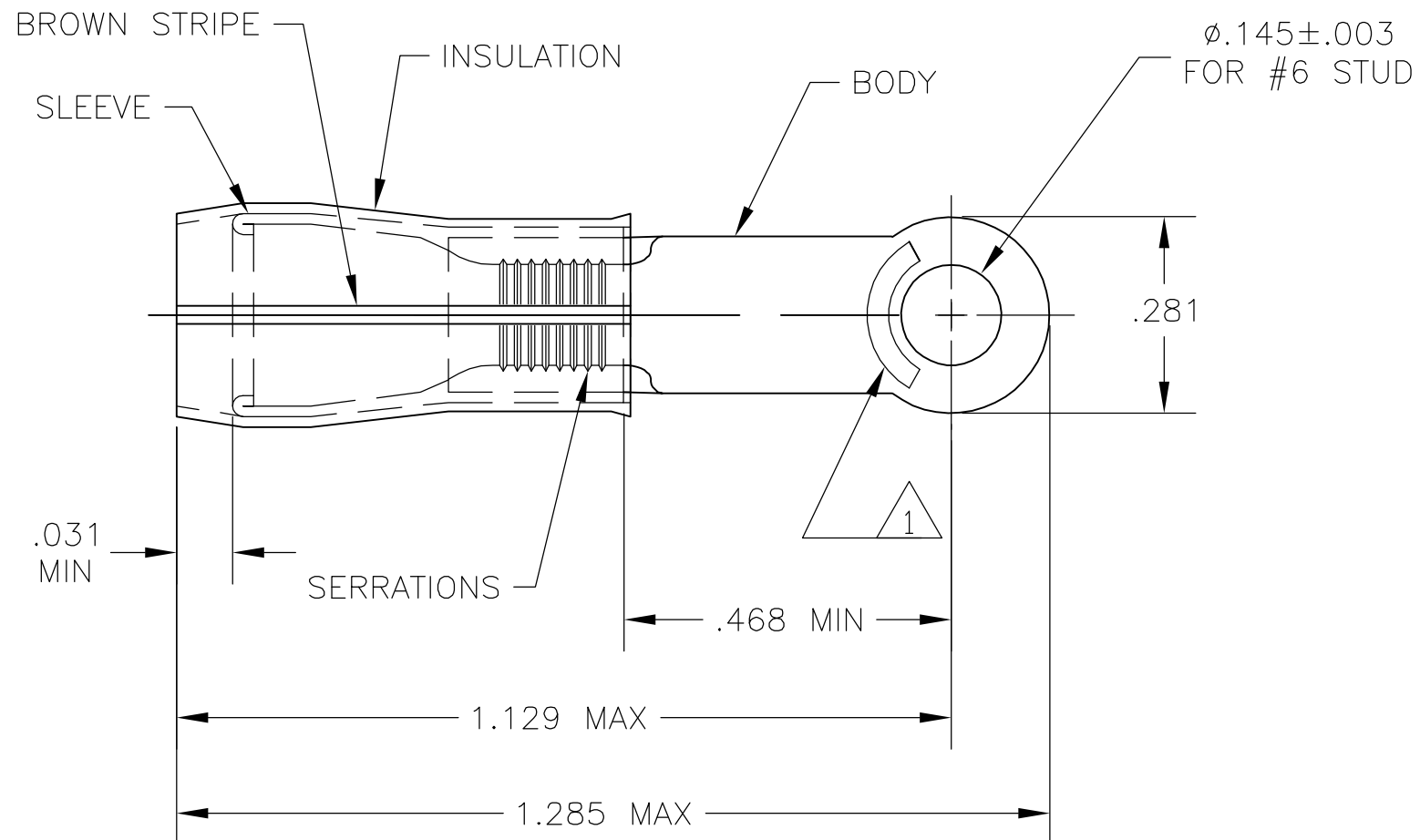


THIS DRAWING IS UNPUBLISHED. RELEASED FOR PUBLICATION
 © COPYRIGHT BY TYCO ELECTRONICS CORPORATION. ALL RIGHTS RESERVED.

LOC	DIST	REVISIONS					
G	02	P	LTR	DESCRIPTION	DATE	DWN	APVD
			F3	REV PER ECR 07-004000	21FEB07	JR	TM



- △ 1 STAMP "AMP 12-10" LOCATED APPROX AS SHOWN
- △ 2 MATERIAL:
BODY & SLEEVE: COPPER ASTM B152
INSULATION: NYLON
- △ 3 FINISH:
BODY - TIN PLATE PER ASTM B545
SLEEVE - NICKEL PL. PER QQ-N-290
INSULATION: COLOR - YELLOW
- △ 5 WIRE INSULATION DIA .119-.200
SUPERSEDED BY 152681-1

500	LOOSE PIECE	152681-1
500	LOOSE PIECE	△ 5 152681
QTY	PACKAGING	PART NO

THIS DRAWING IS A CONTROLLED DOCUMENT.		DWN jr_ruth 25OCT05	Tyco Electronics Corporation Harrisburg, PA 17105-3608	
DIMENSIONS: INCHES 		CHK T MICHELUTTI 25OCT05		
TOLERANCES UNLESS OTHERWISE SPECIFIED: 0 PLC ± - 1 PLC ± - 2 PLC ± - 3 PLC ± .005 4 PLC ± - ANGLES ± 1°		APVD T MICHELUTTI 25OCT05	NAME: TERMINAL, RING TONGUE, INSULATION RESTRICTING, PIDG, WIRE SIZE 10	
MATERIAL △ 2		PRODUCT SPEC -	SIZE A3 CAGE CODE 00779 DRAWING NO C-152681 RESTRICTED TO -	
FINISH △ 3		APPLICATION SPEC -	SCALE 1:1 SHEET 1 OF 1 REV F3	
		WEIGHT -	CUSTOMER DRAWING	