



BOARD LEVEL COOLING - Channel 7130

Channel 7130 is a series of channel board level heat sinks designed to cool TO-220 and TO-220-single gauge devices. Representative image only.

ORDERING INFORMATION

Part Number	Device Type
7136DG	TO-220, TO-220-single gauge
7139DG	TO-220, TO-220-single gauge

HEAT SINK DETAILS

Property	Details
Material	Copper
Finish	Tin Plated
Device Attachment Options	Integrated Mounting Clip
Thermal Interface Material	-



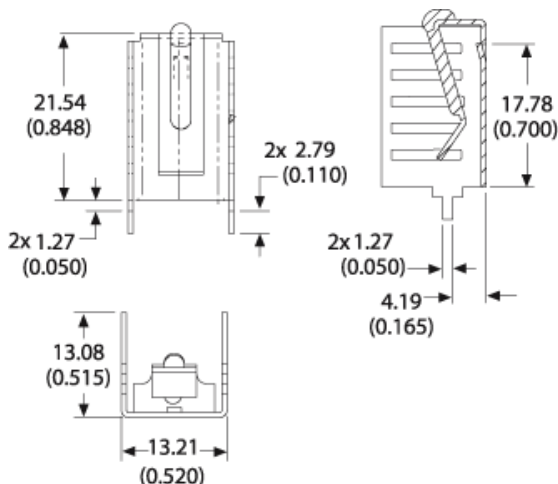
Property	Details
Heat Sink Width (mm)	13.21
Heat Sink Length (mm)	13.08
Heat Sink Height (mm)	See "A" Dim below
Heat Sink Mounting Direction	Vertical, Horizontal

MECHANICAL & PERFORMANCE

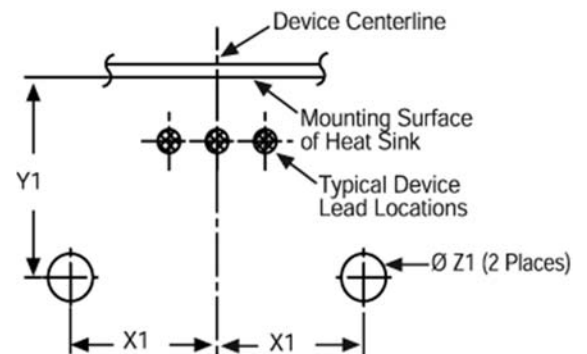
Drawing dimensions are shown in mm, (in)

Part Number	"A" Dim	"X" Dim	"Y" Dim	"Z" Dim
7136DG	21.54	6.30 (0.248)	4.83 (0.190)	2.54 (0.100)
7139DG	19.81	-	1.40 (0.055)	2.54 (0.100)

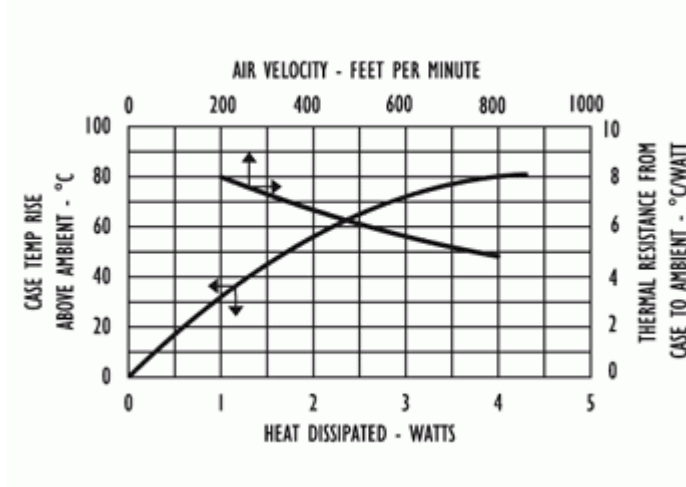
Part Number: 7136DG



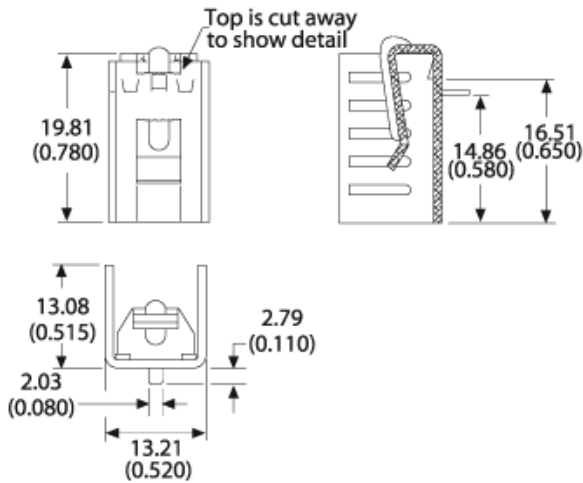
Mounting Details:



Board Level Cooling – Channel 7130



Part Number: 7139DG



Mounting Details:

