



This document is the property of Amphenol Corporation and is delivered on the express condition that it is not to be disclosed, reproduced or used, in whole or in part, for manufacture or sale by anyone other than Amphenol Corporation without its prior consent, and that no right is granted to disclose or to use any information in this document.

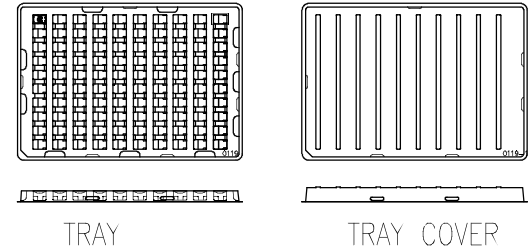
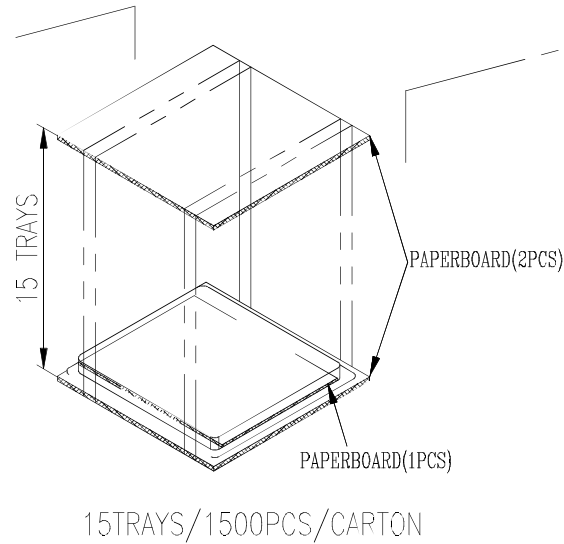
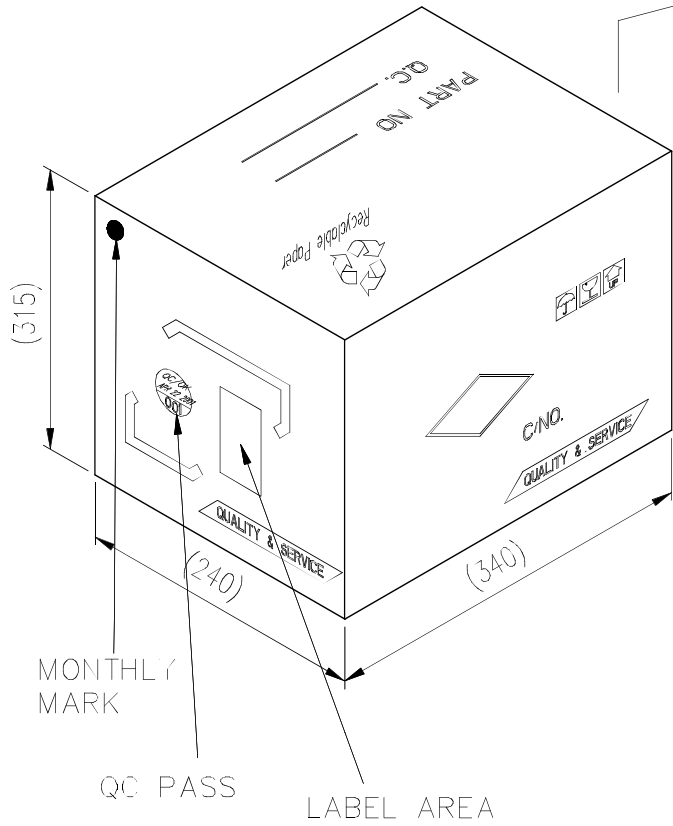
The marking on this product doesn't contain environmental hazardous materials per Material Specification SS-00259 for Sony GP compliant or per directive 2011/65/EU for RoHS compliant.



ORIGINAL



REVISIONS				
SYM	ECN No.	DESCRIPTION	DATE	APPROVED
A	NE-14112	RELEASE REVISION	08/01/2014	Arron Lin



100PCS/TRAY

100	15	1500	8.3	7.0	GSB4211XXWU
PCS/TRAY	TRAYS/BOX	QUANTITY (PCS)	G/W (Kg)	N/W (Kg)	PART NUMBER

TOLERANCE	APPROVALS	DATE	TITLE			PART No.		
X. ±0.30	DRAWN Debby Hung	08/01/2014	USB 3.1 B TYPE RECEPTACLE RIGHT ANGLE, DIP TYPE			<b>Amphenol</b> <sup>®</sup> Amphenol Corporation Amphenol Taiwan Corporation		
>.XX ±0.20	CHECKED Roger Tsai	08/01/2014						
>.XXX ±0.10	APPROVED Arron Lin	08/01/2014						
ANGULAR ±1°	DWG TYPE CUST DWG	PROJECT CODE OTHER		UNIT mm	SIZE A3	PART No. GSB4211XXXWU		
UNLESS OTHERWISE SPECIFIED			SCALE NA	SHEET 2 OF 2	DWG No. GSB4211XXXWU			REV. A