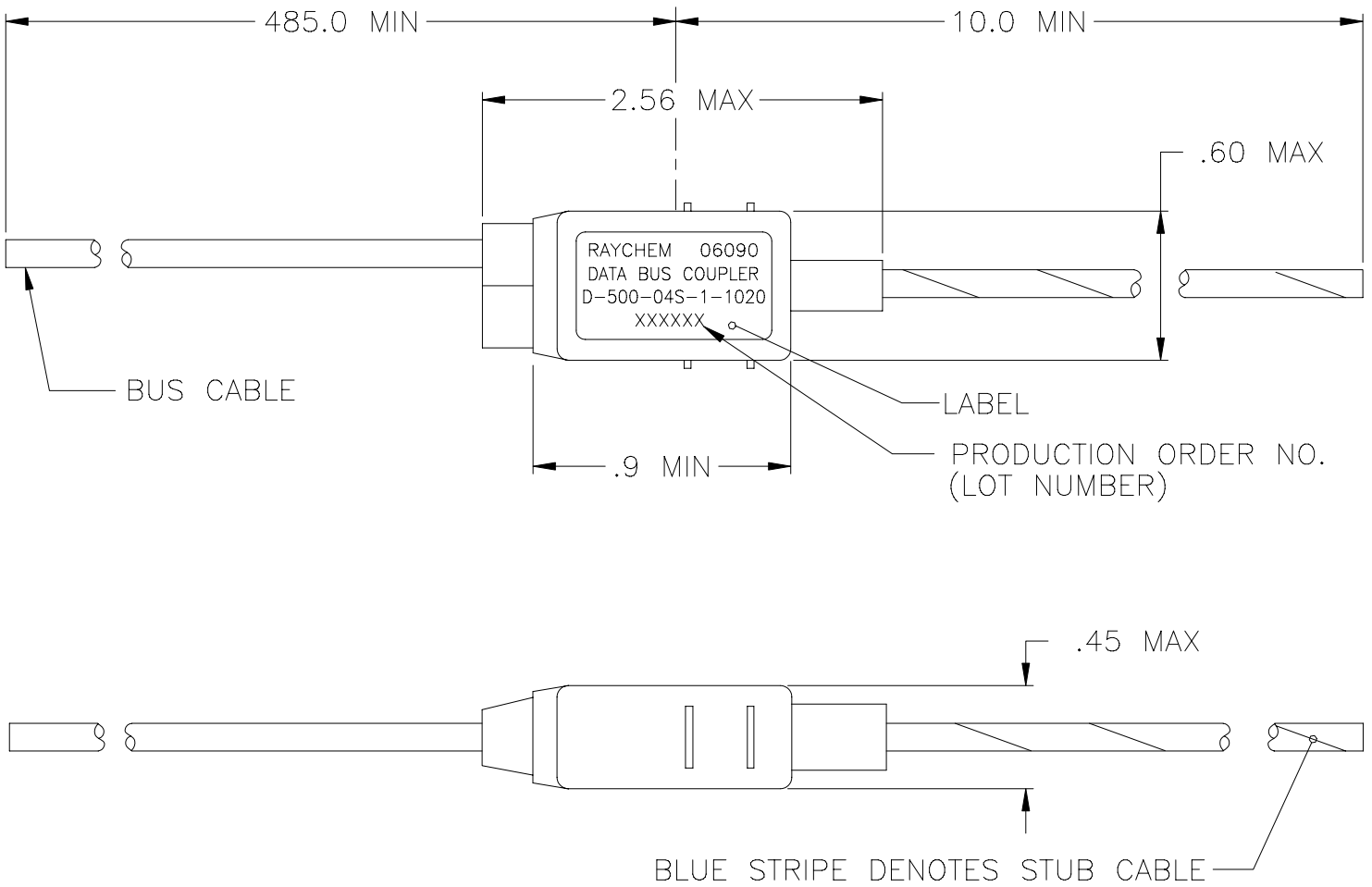


If this document is printed it becomes uncontrolled.
Check for the latest revision.

| REVISIONS | | | |
|-----------|-------------------------|---------|----------|
| LTR | DESCRIPTION | DATE | APPROVED |
| A | REVISED PER DCR T-32092 | 10/9/03 | GMR |



SPECIFICATION CONTROL DRAWING

UNLESS OTHERWISE SPECIFIED
DIMENSIONS ARE IN INCHES.
METRIC DIMENSIONS ARE
IN BRACKETS.

DECIMALS
.XXX ± — { — mm }
.XX ± — { — mm }

ANGLES
.X ± —

WEIGHT
— g { — lbs }

| | | |
|----------|------------|---------|
| DRAWN | G.ROSITANO | 10/2/03 |
| CHECKED | | |
| APPROVED | | |
| APPROVED | T.RATZLAFF | 10/2/03 |
| CAD NAME | T32092A | |

tyco
Electronics

Tyco Electronics
300 CONSTITUTION DRIVE
MENLO PARK, CALIFORNIA 94025 USA

Raychem

TITLE
SINGLE STUB IN-LINE
DATA BUS MICRO COUPLER
REVERSE WITH INTERNAL BUS TERMINATOR

THIRD ANGLE
PROJECTION

| | | | |
|---------------------------|-----------------|------------------|--------------|
| SIZE | CODE IDENT. NO. | DWG. NO. | REV |
| A | 06090 | D-500-04S-1-1020 | A |
| DO NOT SCALE THIS DRAWING | | | SHEET 1 OF 2 |

1. MATERIAL AND FINISHES:

1.1 INTERNAL COMPONENTS:

1.1.1 -TRANSFORMER TO MIL-PRF-21038 AND MIL-STD-1553B

1.1.2 -RESISTORS, ISOLATION PER MIL-PRF-39007/9, 57.6 OHMS (R1)

1.1.3 -RESISTORS, TERMINATION PER MIL-PRF-39007/9, 76.8 OHMS (R2)

1.2 SHIELDED CASE: ALUMINUM PER ASTM-B618

1.3 SEALED STRAIN RELIEF COVER: MODIFIED CROSS-LINKED ELASTOMER, BLACK,
TO RAYCHEM SPECIFICATION RK-6713.

1.4 CABLE TYPE PER RAYCHEM SPECIFICATION 1200 (SEE PART NO. ON SHEET 1).

2. APPLICATION:2.1 THIS COUPLER IS DESIGNED TO BE INSTALLED AS A DIGITAL MULTIPLEX ASSEMBLY
MEETING THE REQUIREMENTS OF MIL-STD-1553B.

2.2 FOR CABLE SPLICING USE FLEXIBLE SPLICE KIT D-150-0708-5 (NOT SUPPLIED).

2.3 CABLE BEND RADIUS PER SAE-AS50881 STATIC BEND: 5 x CABLE O.D. MIN.

DYNAMIC BEND: 10 x CABLE O.D. MIN.

3. TEMPERATURE:

3.1 OPERATING TEMPERATURE: -65°C TO +150°C

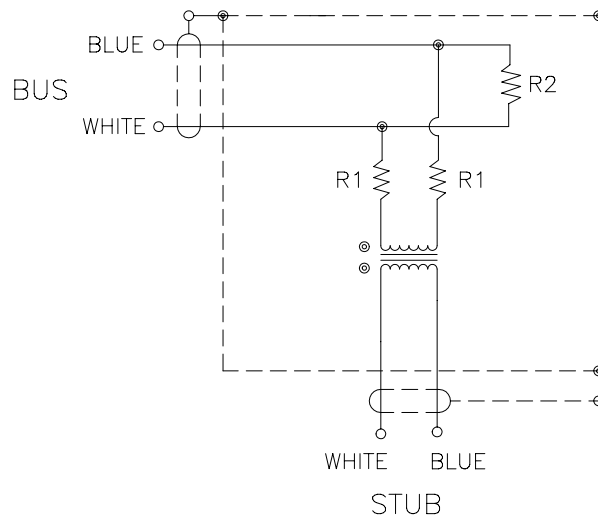
4. PERFORMANCE SPECIFICATIONS:

4.1 TRANSFORMER MEETS THE PERFORMANCE REQUIREMENTS OF MIL-STD-1553B.

4.2 COUPLER MEETS THE PERFORMANCE REQUIREMENTS OF RAYCHEM SPECIFICATION D-6020.

5. WEIGHT:

5.1 MAXIMUM WEIGHT WITHOUT CABLE: 10 GRAMS MAX.

ONE STUB COUPLER SCHEMATIC

SPECIFICATION CONTROL DRAWING

| | | | | | |
|---------------------|-----------------------------------|-----------|---------------------------|------------------------------|--------------|
| DRAWN GMR | DATE 10/2/03 | SIZE A | CODE IDENT. NO. 06090 | DWG. NO. D-500-04S-1-1020 | REV A |
| CAD FILE T32092B | tyco Electronics | | DO NOT SCALE THIS DRAWING | | SHEET 2 OF 2 |