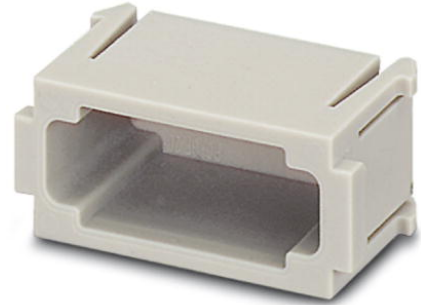


HC-M-BM


Order No.: 1676828



<http://eshop.phoenixcontact.de/phoenix/treeViewClick.do?UID=1676828>

Dummy module, for vacant slots in the metal retaining frame

Commercial data

GTIN (EAN)	 4 017918 129378
sales group	D042
Pack	2 pcs.
Customs tariff	85472000
Catalog page information	Page 465 (PC-2009)

Product notes

WEEE/RoHS-compliant since:
05/17/2006



<http://www.download.phoenixcontact.com>
Please note that the data given here has been taken from the online catalog. For comprehensive information and data, please refer to the user documentation. The General Terms and Conditions of Use apply to Internet downloads.

Technical data

General data

Material	PC
Inflammability class acc. to UL 94	V0

Certificates / Approvals

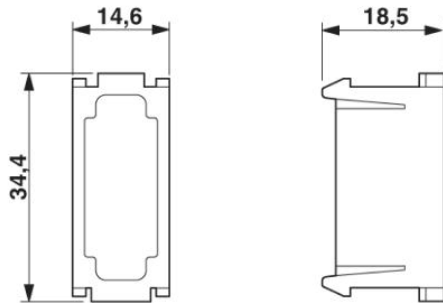


Certification

GOST, UL

Diagrams/Drawings

Dimensioned drawing



HC-M-BM

Address

PHOENIX CONTACT Deutschland GmbH
Flachmarktstr. 8
32825 Blomberg, Germany
Phone +49 5235 3 12000
Fax +49 5235 3 41200
<http://www.phoenixcontact.de>



© 2010 Phoenix Contact
Technical modifications reserved;