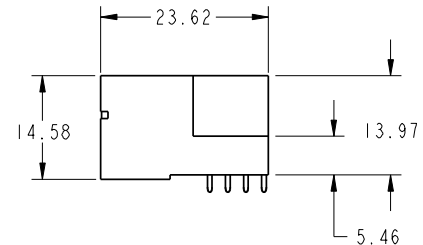
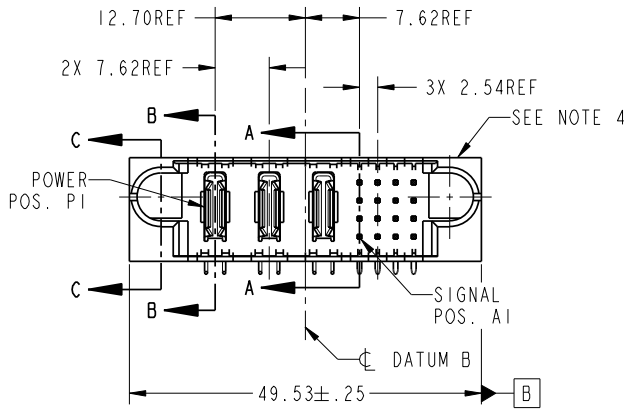


Tous droits strictement reserves. Reproduction ou communication a des tiers interdite sous quelque forme que ce soit sans autorisation écrite du propriétaire. Propriete de c FCI. Droits de reproduction FCI.



All rights strictly reserved. Reproduction or issue to third parties in any form whatever is not permitted without written authority from the proprietor. Property of FCI. Copyright FCI.

PRODUCT NO.	ROWS	POWER			SIGNAL					
		E1	P1	P2	P3	1	2	3	4	E2
51824-003-- NOTE: 3	D C B A									



CODE	DIM "M" MATING LENGTH	CONTACT TYPE
AU	[6.86]	SIGNAL
AT	[6.86]	SIGNAL
AS	[6.86]	SIGNAL
AR	[6.86]	SIGNAL
PT	[N/A]	POWER

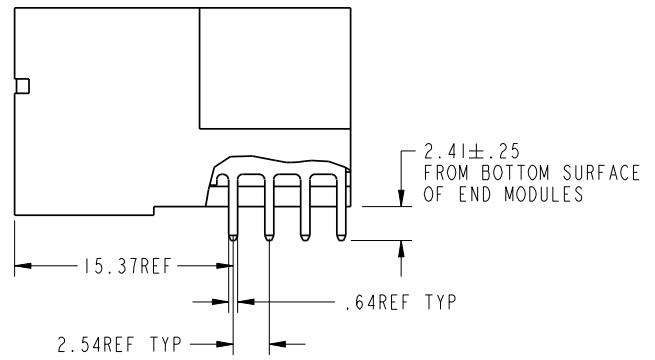
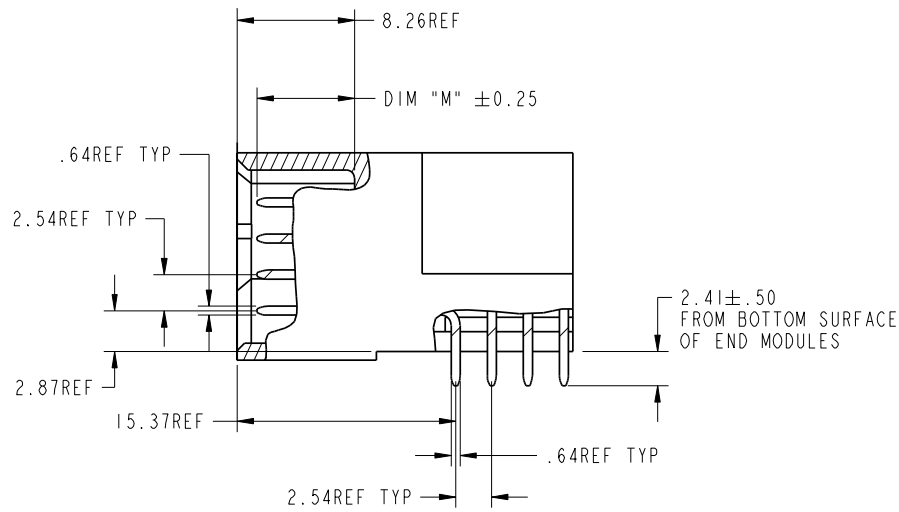
mat'l code				SEE NOTE		tolerances unless otherwise specified		CUSTOMER	
ltr	ecn no.	dr	date	linear	0.X ± 0.3	COPY		FCI www.fciconnect.com	
A	DG07-0305	JULIA	06/07/07		0.XX ± 0.13	projection		title 3P + 16S RIGHT ANGLE SOLDER HEADER	
				angles	0.XXX ± 0.051			product family PwrBlade	
				dr	0° ± 2°	MM		code 213	
				engr	JULIA WANG 06/07/07	scale		size A	
				chr	JEROME CHEN 06/07/07	1:1		dwg no 51824-003	
				appd	GARY HSIEH 06/07/07			sheet 1 of 4	
					JOSEPH HSIA 06/07/07			cage code 22526	
sheet index	revision	A	A	A	A				
	sheet	1	2	3	4				

Tous droits strictement réservés. Reproduction ou communication a des tiers interdite sous quelque forme que ce soit sans autorisation écrite du propriétaire. Propriété de c FCI. Droits de reproduction FCI.

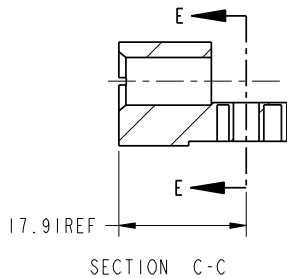


All rights strictly reserved. Reproduction or issue to third parties in any form whatever is not permitted without written authority from the proprietor. Property of FCI. Copyright FCI.

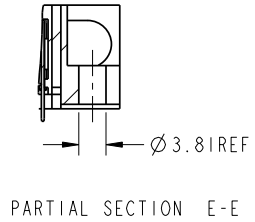
PRODUCT NUMBER
51824-003--
NOTE: 3



BROKEN-OUT SECTION A-A
SCALE 2:1



BROKEN-OUT SECTION B-B
SCALE 2:1



mat'l code				SEE NOTE		tolerances unless otherwise specified		CUSTOMER		FCI www.fciconnect.com		
lfr	ecn no.	dr	date	linear	0.X ±0.3	projection		COPY		title		
A				angles	0.XX ±0.13			3P + 16S		RIGHT ANGLE SOLDER HEADER		
				dr	0.XXX ±0.051			product family		code		
				enrg	JULIA WANG 06/07/07			PwrBlade		213		
				chr	JEROME CHEN 06/07/07			size		sheet		
				appd	GARY HSIEH 06/07/07			A		2		
					JOSEPH HSIA 06/07/07			51824-003				
sheet index	revision sheet											

cage code 22526

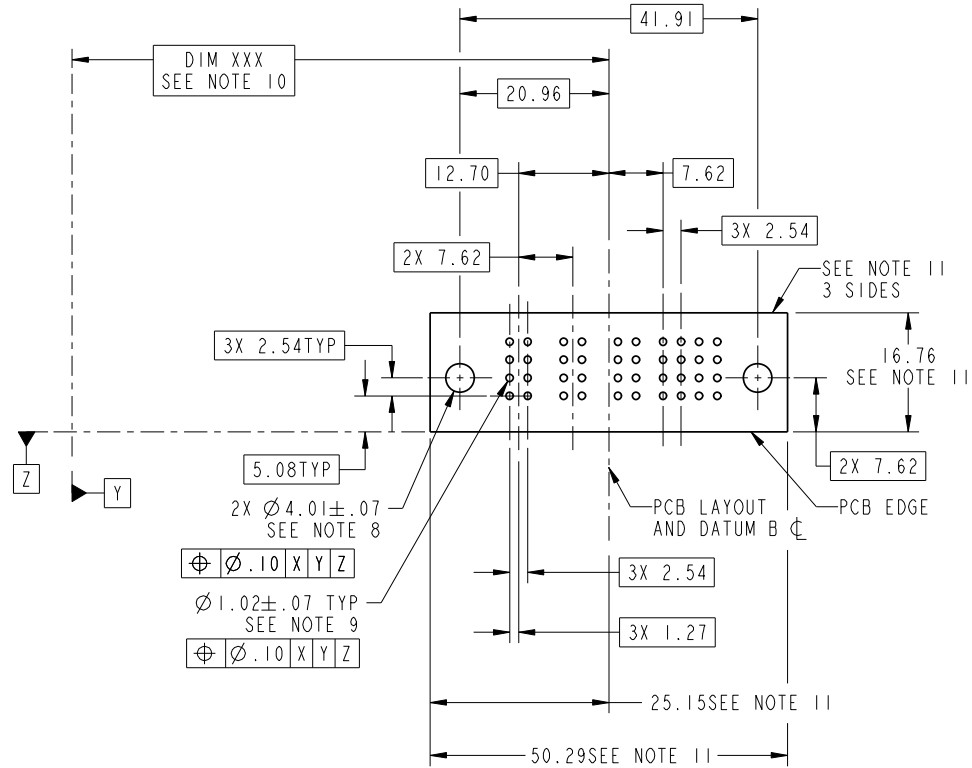
Pro/E

Tous droits strictement reserves. Reproduction ou communication a des tiers interdite sous quelque forme que ce soit sans autorisation écrite du propriétaire. Propriete de c FCI. Droits de reproduction FCI.



All rights strictly reserved. Reproduction or issue to third parties in any form whatever is not permitted without written authority from the proprietor. Property of FCI. Copyright FCI.

PRODUCT NUMBER
51824-003--
NOTE: 3



RECOMMENDED PCB LAYOUT

mat'l code				SEE NOTE		tolerances unless otherwise specified		CUSTOMER		FCI www.fciconnect.com	
ltr	ecn no.	dr	date	linear	0.X ± 0.3	projection		COPY		title	
A				angles	0.XX ± 0.13	0.XXX ± 0.051		3P + 16S		RIGHT ANGLE SOLDER HEADER	
				dr	0° ± 2°	JULIA WANG 06/07/07		product family		PwrBlade code	
				enrg	JEROME CHEN 06/07/07	GARY HSIEH 06/07/07		size		213	
				chr	JOSEPH HSIA 06/07/07	scale		dwg no		sheet	
				appd		1:1		51824-003		3	
sheet index	revision sheet										

cage code 22526

Pro/E

Tous droits strictement reserves. Reproduction ou communication a des tiers interdite sous quelque forme que ce soit sans autorisation ecrite du proprietaire. Propriete de c FCI. Droits de reproduction FCI.



All rights strictly reserved. Reproduction or issue to third parties in any form whatever is not permitted without written authority from the proprietor. Property of FCI. Copyright FCI.

PRODUCT NUMBER
51824-003-- NOTE: 3

NOTES:

1. DIMENSIONS AND TOLERANCES ARE IN ACCORDANCE WITH ASME Y14.5M, 1994 UNLESS OTHERWISE SPECIFIED.

CONNECTOR NOTES:

- 2. HOUSING MATERIAL: UL 94 V-0 GLASS FILLED
HIGH-TEMP THERMOPLASTIC
POWER CONTACT MATERIAL: COPPER ALLOY
SIGNAL PIN MATERIAL: COPPER ALLOY
- 3. 51824-003;51824-003LF PLATING SPEC. SEE PRINT:100641831
- 4. MANUFACTURER'S NAME, P/N, AND DATE CODE TO APPEAR ON THIS SURFACE.
- 5. PRODUCT SPECIFICATION GS-12-149.
APPLICATION SPECIFICATION BUS-20-067.
- 6. PACKAGED IN TRAYS.

PCB NOTES:

- 7. ALL HOLE DIAMETERS ARE FINISHED HOLE SIZE.
- 8. MOUNTING HOLES, WHERE APPLICABLE, ARE UNPLATED.
- 9. $\varnothing 1.151 \pm 0.025$ DRILLED HOLES PLATED WITH
0.008 MIN SnPb OR Sn OVER 0.03
TO 0.08 Cu PLATING TO ACHIEVE
 $\varnothing 1.02 \pm .07$ HOLE.
- 10. "DIM XXX" TO BE DETERMINED BY THE CUSTOMER.
- 11. CONNECTOR KEEP-OUT ZONE.

mat'l code				SEE NOTE 2		tolerances unless otherwise specified		CUSTOMER		FCI		www.fciconnect.com	
lfr	ecr no.	dr	date	linear	0.X ± 0.3	COPY		projection		title			
A					0.XX ± 0.13					3P + 16S			
				angles	0.XXX ± 0.051					RIGHT ANGLE SOLDER HEADER			
				dr	0° ± 2°			MM		product family		code	
				enrg	JULIA WANG 06/07/07			←		PwrBlade		213	
				chr	JEROME CHEN 06/07/07			scale		size		sheet	
				appd	GARY HSIEH 06/07/07			1:1		dwg no		4 of 4	
					JOSEPH HSIA 06/07/07					A		51824-003	
sheet index	revision sheet												

cage code 22526

Pro/E