

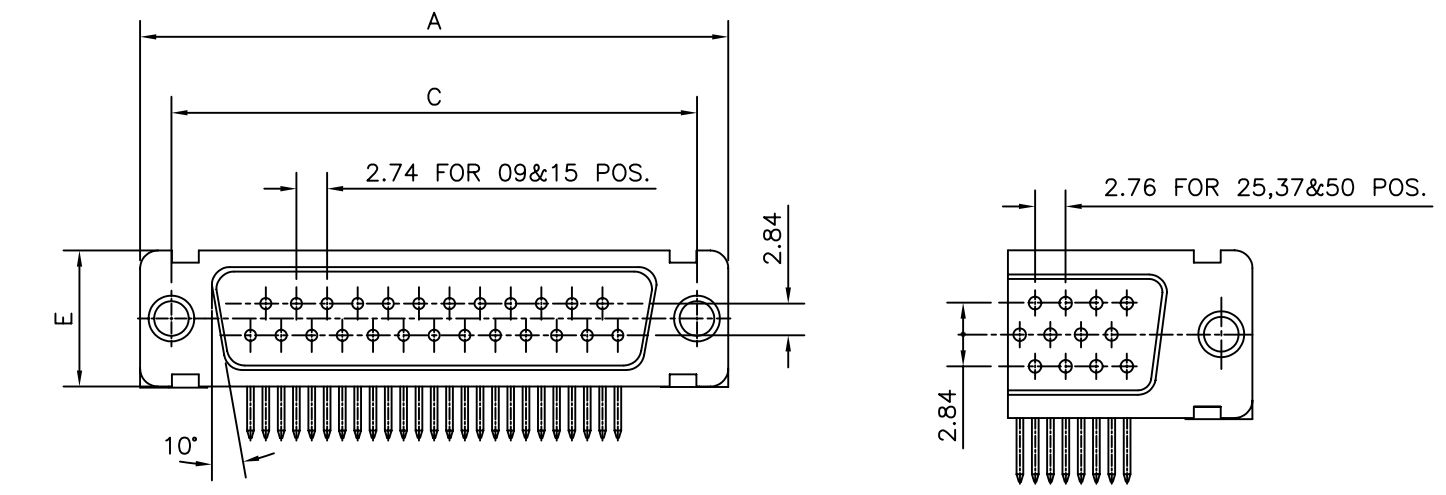
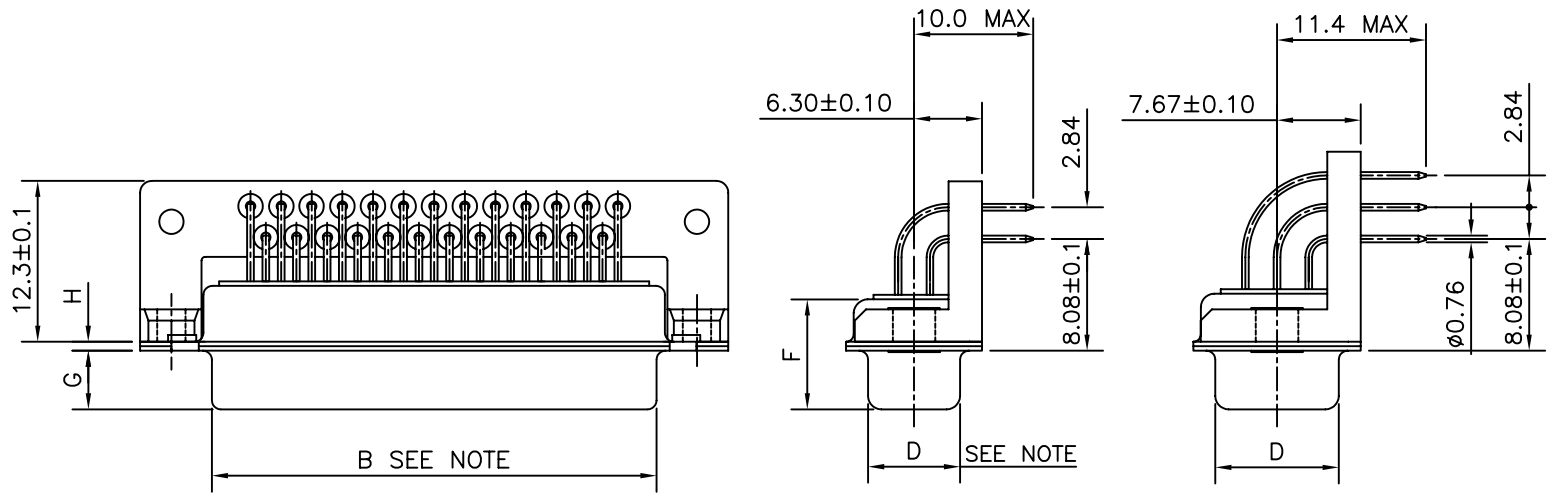
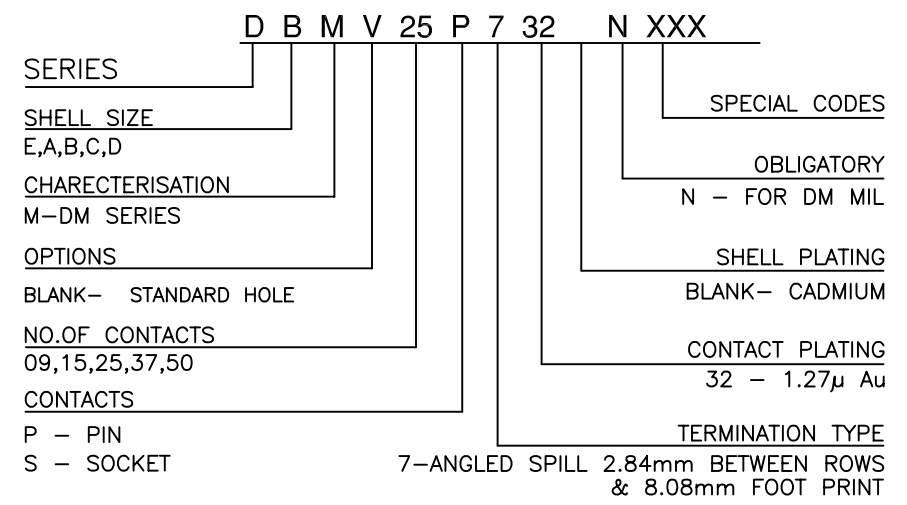
50	P	66.65	52.68	61.11	11.08	14.99	11.09	5.85	1.0
	S	66.65	52.30	61.11	10.62	14.99	11.21	6.05	0.8
37	P	68.94	55.30	63.50	8.23	12.17	11.09	5.85	1.0
	S	68.94	54.71	63.50	7.77	12.17	11.21	6.05	0.8
25	P	52.65	38.84	47.04	8.23	12.17	11.07	5.85	0.8
	S	52.65	38.25	47.04	7.77	12.17	11.21	6.05	0.8
15	P	38.76	25.12	33.32	8.23	12.17	10.99	5.85	0.8
	S	38.76	24.54	33.32	7.77	12.17	11.21	6.05	0.8
09	P	30.43	16.79	24.99	8.23	12.17	10.99	5.85	0.8
	S	30.43	16.21	24.99	7.77	12.17	11.21	6.05	0.8
SHELL SIZE		+0.76	+0.25	C±0.12	+0.25	+0.76	F MAX	+0.15	+0.22
	A-0		B-0		D-0	E-0		G-0	H-0

NOTE:-INSIDE DIMENSIONS OF MALE AND OUTSIDE DIMENSIONS OF THE FEMALE CONNECTOR.

TECHNICAL SPECIFICATIONS

- SHELLS : CADMIUM PLATED STEEL
- INSULATOR MATERIAL : SELF EXTINGUISHING THERMOPLASTIC- TO UL CLASS 94 V0
- CONTACTS DIA ON ACTIVE AREA : ϕ 1 MM.
- CONTACTS MATERIAL : COPPER ALLOY
- CONTACT PLATING : GOLD OVER NICKEL
- OPERATING TEMPERATURE : -55°C +125°C
- OPERATING CURRENT : 7.5 A PER CONTACT
- CONTACT RESISTANCE : \leq 7.3m Ω
- INSULATION RESISTANCE : \geq 5000 M Ω
- MAXIMUM VOLTAGE : 1000 V.r.m.s
- MECHANICAL ENDURANCE : 500 MATINGS
- DAMP HEAT : 56 DAYS

ORDERING INFORMATION



LAYOUT OF 50 POS.CONNECTOR

INDEX	DATE	REVISION DESCRIPTION
C	2009-05-25	MONOBLOCK BRACKET CORRECTED FROM OVAL TO ROUND HOLE

mat'l. code -		surface ISO 1302 <input checked="" type="checkbox"/> ISO 406 ISO 1101		tolerance ISO 1101		projection		product family D-SUB	
ltr A		ecn no G V J -		dr date		tolerances unless otherwise specified		title	
B		017-02-09		AMR 2009-02-07		angles linear		D-SUB A/S US VERSION (DM SERIES WITH MONOBLOCK BRACKET)	
C		I09-0088		AMR 2009-05-25				sheet 1 of 1 size 5	
				dr Mini K V		2005-04-15		dwg no C-DSUB-0150 size A3	
				enr George V J		2005-04-15		type Product Customer Drawing	
				chr Abhilash M R		2009-02-07			
				appd Sudhir Varma		2009-02-07			
sheet index		revision C		sheet 1					