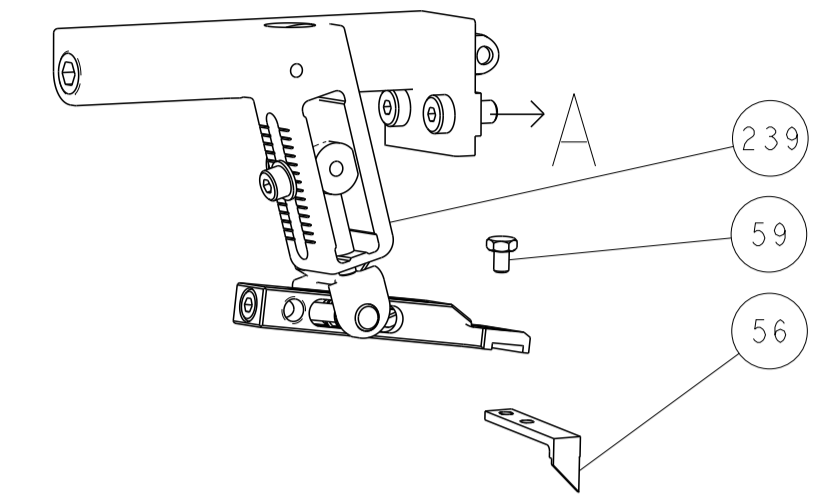
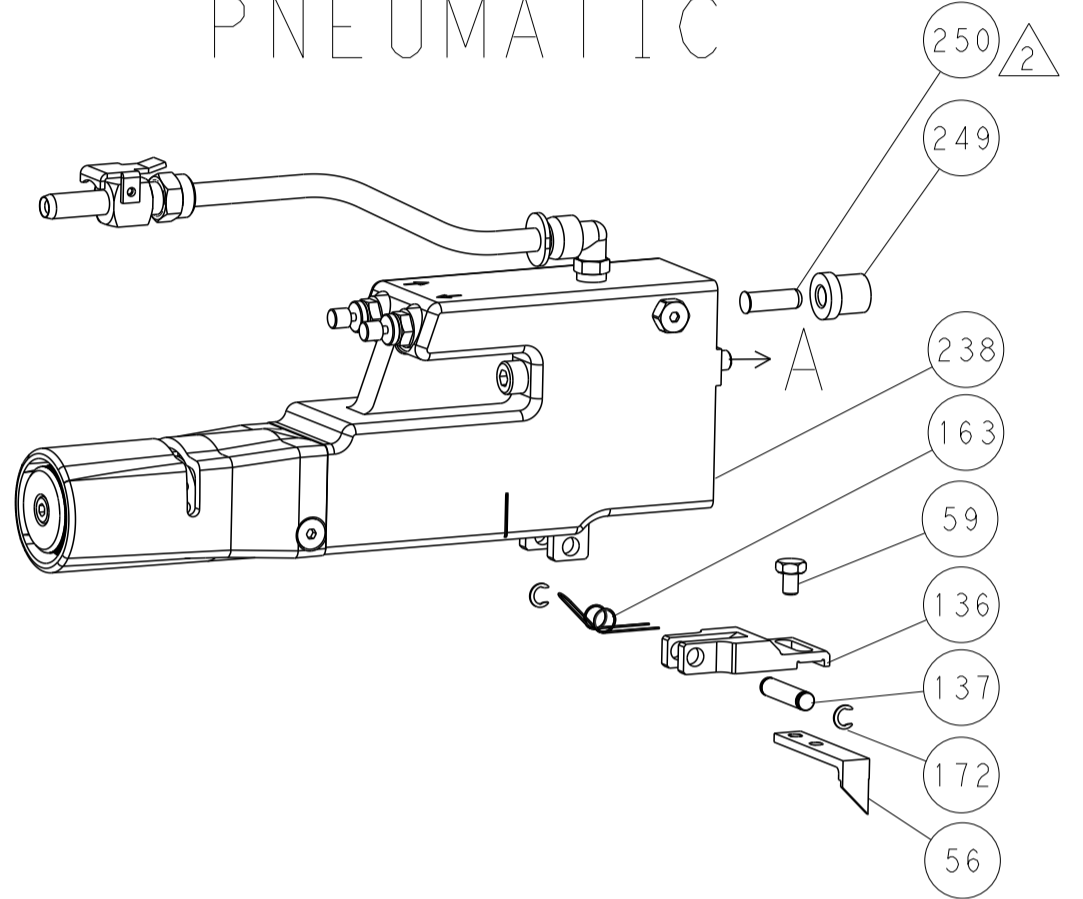


| LOC | | DIST | | REVISIONS | | | |
|-----|----|------|-----|-------------|------|-----|------|
| A | 66 | P | LYN | DESCRIPTION | DATE | OWN | APVD |
| | | - | - | SEE SHEET 1 | - | - | - |

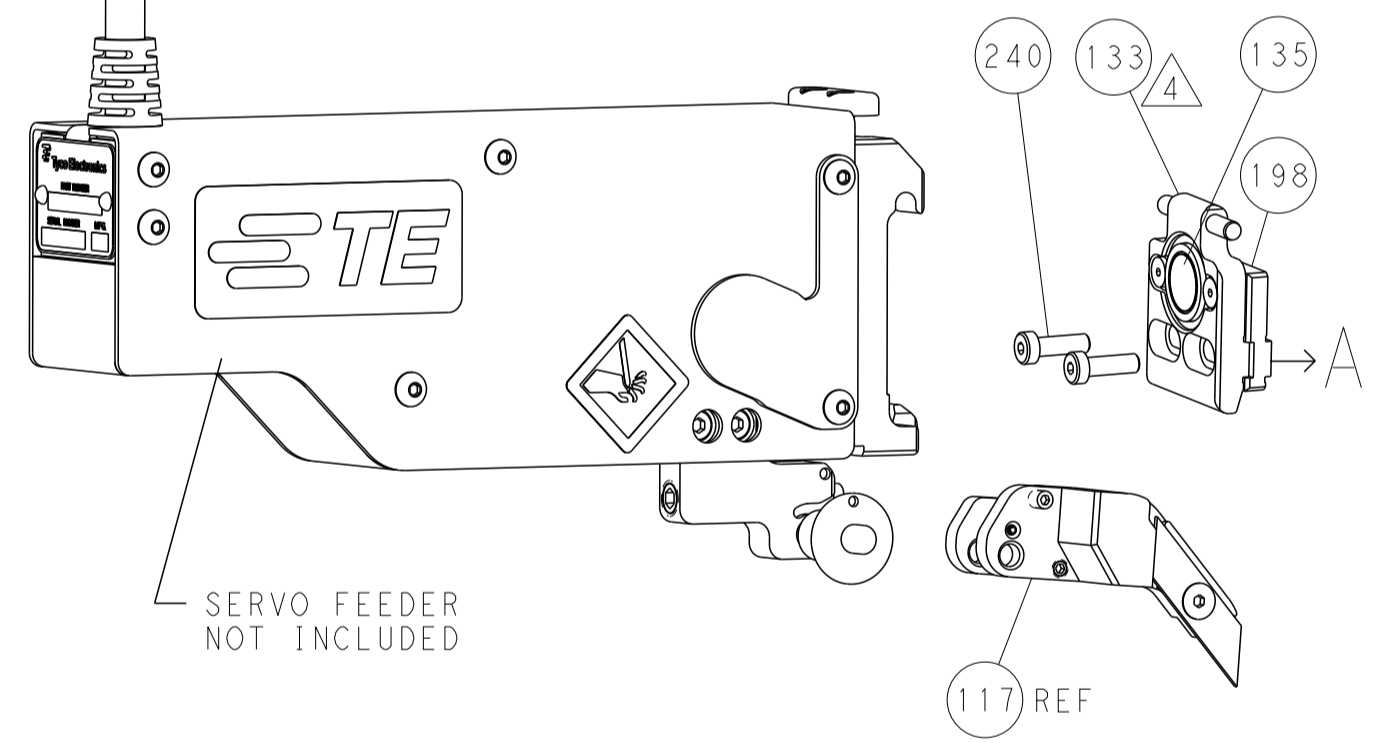
FEED TYPE MECHANICAL



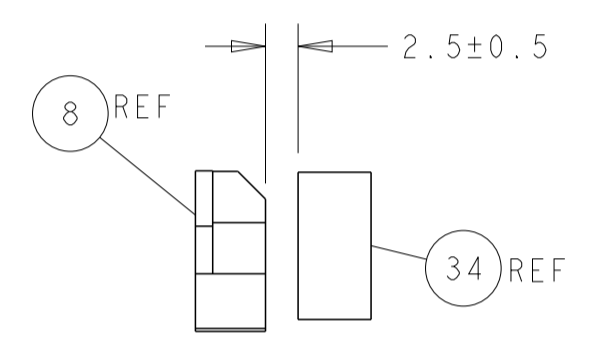
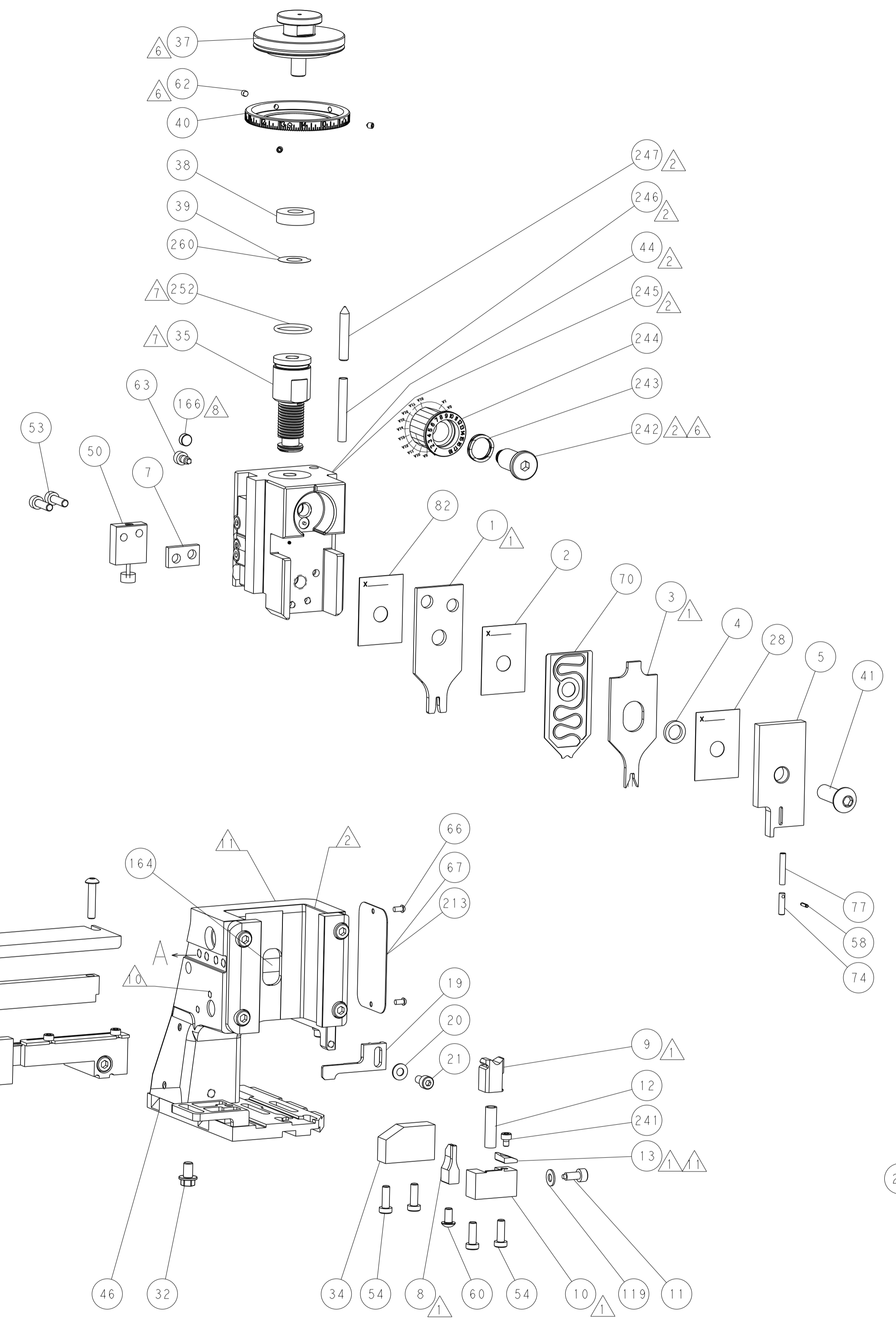
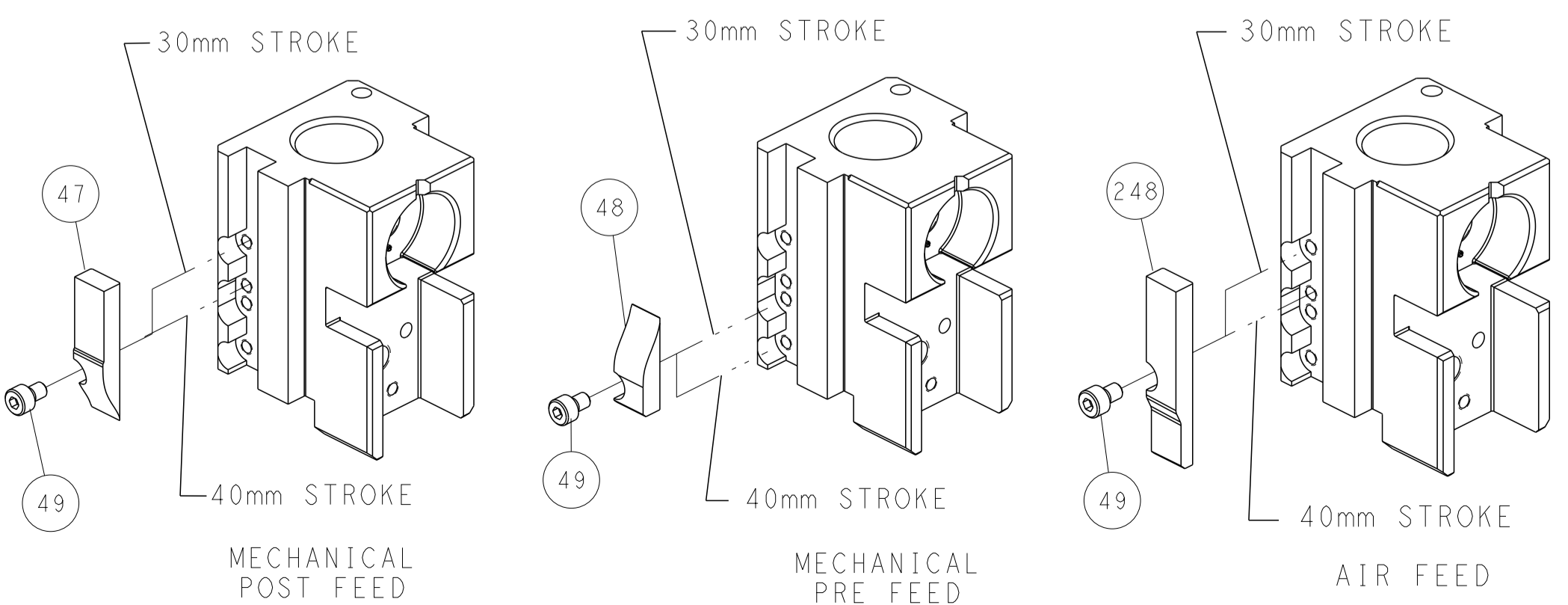
PNEUMATIC



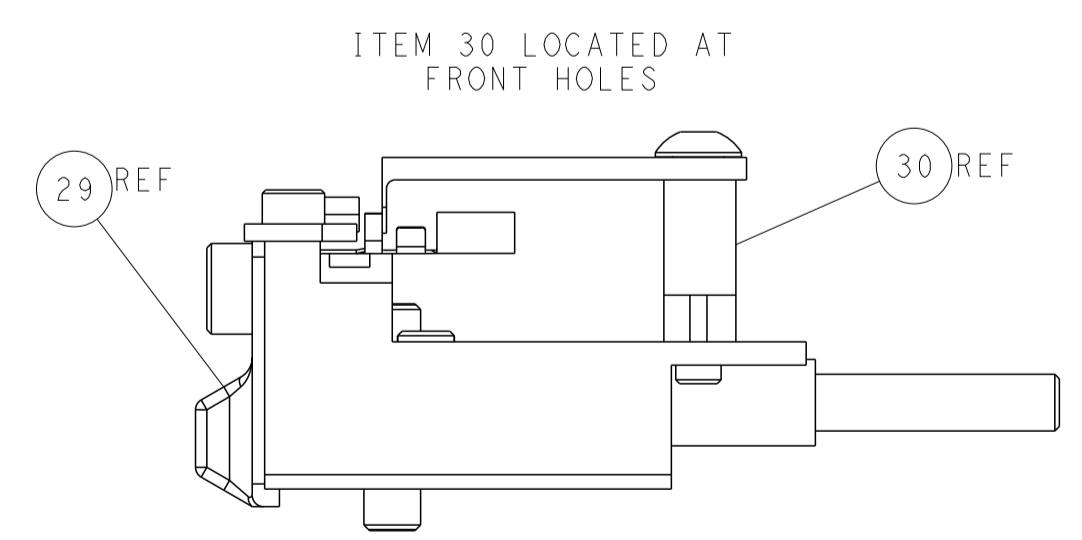
SERVO LATCH PLATE



CAM POSITIONS



TERMINAL SUPPORT LOCATION



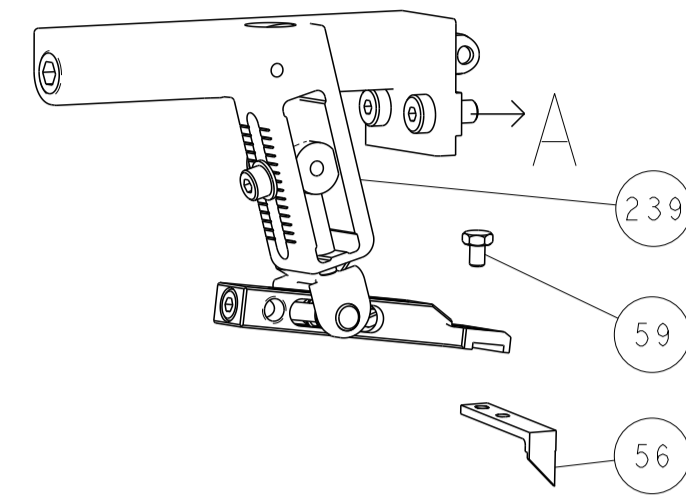
FEED TRACK POSITION GUIDE BY INSULATION BARREL

ATLANTIC VERSION
 Shown on sheets 1 of 4 & 2 of 4
 (Pacific version shown on sheets 3 of 4 & 4 of 4)

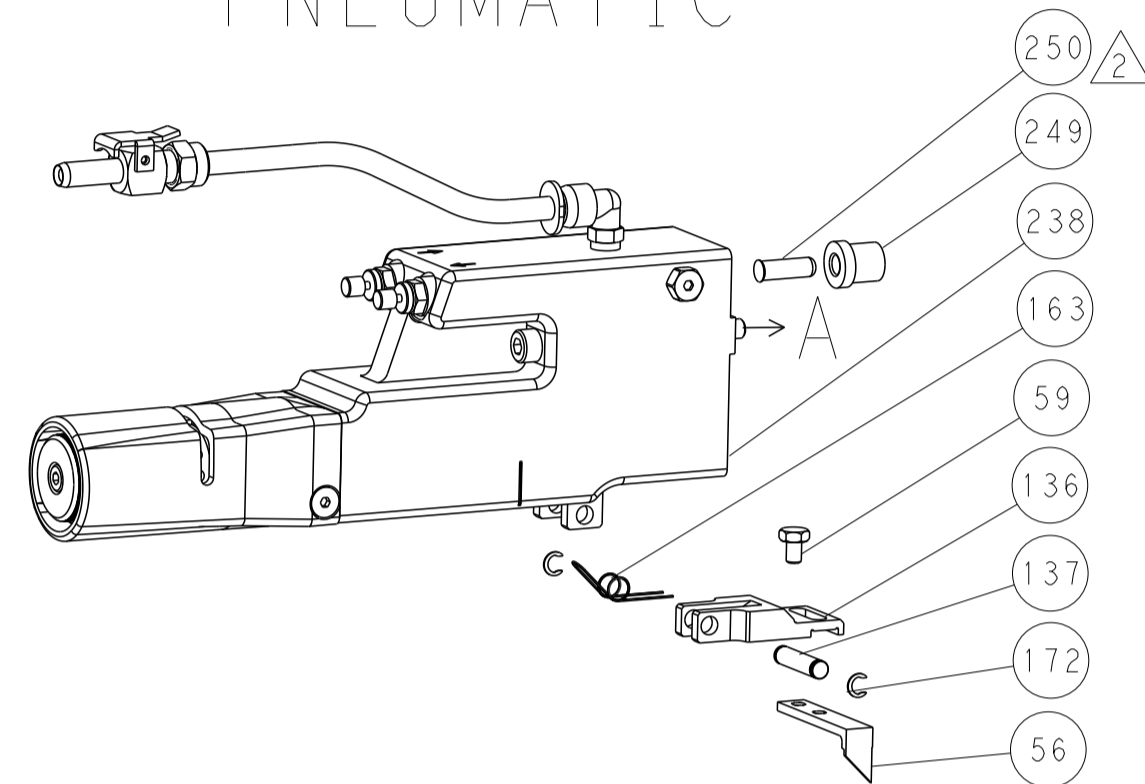
| | | | | | | | |
|-------------|---------|--|--|--------------------------|--|-----------------|---------------------------|
| DIMENSIONS: | | TOLERANCES UNLESS OTHERWISE SPECIFIED: | | DWG: C. MOYER 01NOV2011 | | TE Connectivity | |
| mm | 0 PLC | ± | | CHK: T. ELBIN 01NOV2011 | NAME: Ocean Side Feed Applicator | | Harrisburg, PA 17105-3608 |
| | 1 PLC | ± | | APVD: T. ELBIN 01NOV2011 | RESTRICTED TO: | | |
| | 2 PLC | ± | | PRODUCT SPEC: | SCALE: 1:2 | | SHEET 2 OF 4 |
| | 3 PLC | ± | | APPLICATION SPEC: | REV: E | | |
| | 4 PLC | ± | | WEIGHT: | CAGE CODE: A1 00779 | | DRAWING NO: 2151033 |
| | ANGLES | ± | | MATERIAL: | Customer Accessible Production Drawing | | |
| | FINISH: | | | | | | |

| LOC | | DIST | | REVISIONS | | | |
|-----|----|------|-----|-------------|------|-----|------|
| A | 66 | P | LTM | DESCRIPTION | DATE | OWN | APVD |
| - | - | - | - | SEE SHEET 1 | - | - | - |

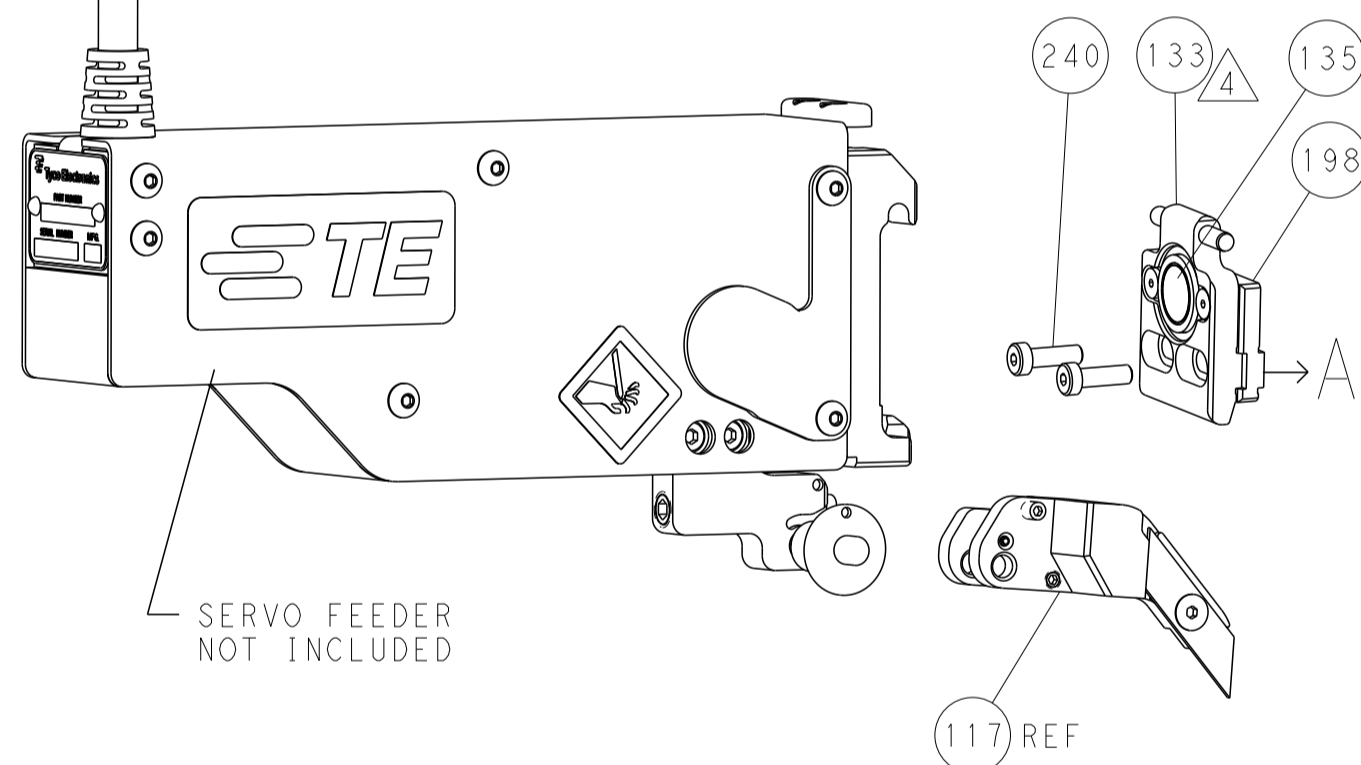
FEED TYPE MECHANICAL



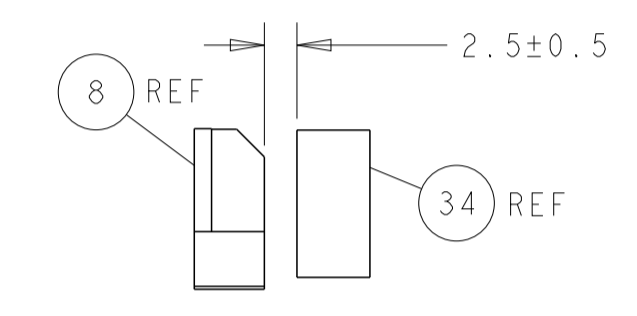
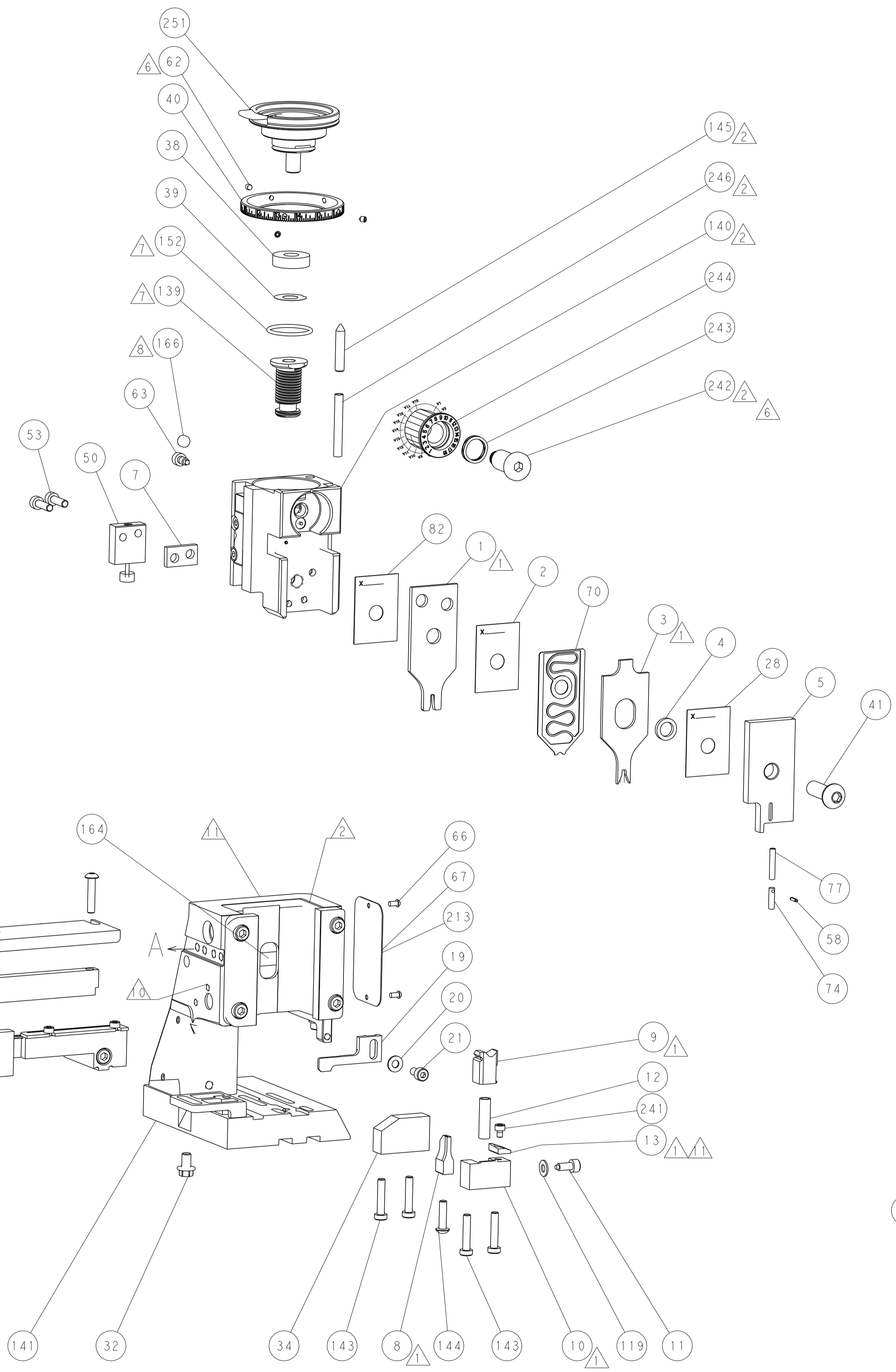
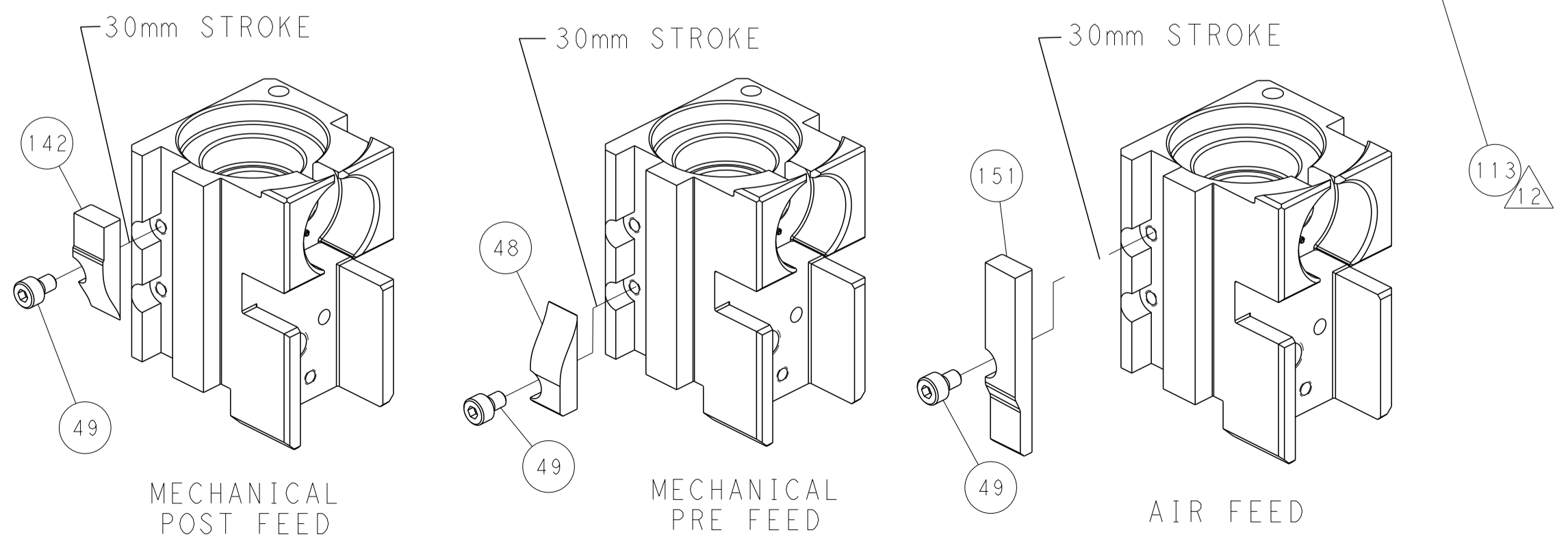
PNEUMATIC



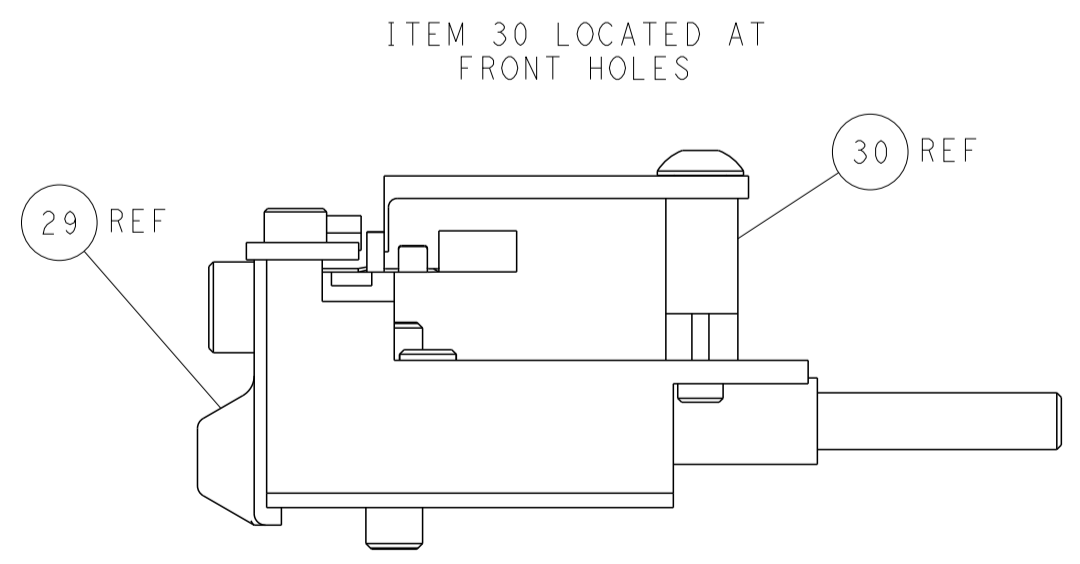
SERVO LATCH PLATE



CAM POSITIONS



TERMINAL SUPPORT LOCATION



FEED TRACK POSITION GUIDE BY INSULATION BARREL

PACIFIC VERSION
 Shown on sheets 3 of 4 & 4 of 4
 (Atlantic version shown on sheets 1 of 4 & 2 of 4)

| | | | | | | | |
|-------------|---------|--|---------|--|---------|----------------------------|---------------------------|
| DIMENSIONS: | | TOLERANCES UNLESS OTHERWISE SPECIFIED: | | DWN C. MOYER 01NOV2011 | | TE Connectivity | |
| mm | 0 PLC ± | 1 PLC ± | 2 PLC ± | 3 PLC ± | 4 PLC ± | CHG T. ELBIN 01NOV2011 | Harrisburg, PA 17105-3608 |
| MATERIAL: | | FINISH: | | APVD T. ELBIN 01NOV2011 | | NAME | |
| | | | | PRODUCT SPEC | | Ocean Side Feed Applicator | |
| | | | | APPLICATION SPEC | | SIZE CAGE CODE DRAWING NO | |
| | | | | WEIGHT | | A 00779 C=2151033 | |
| | | | | Customer Accessible Production Drawing | | RESTRICTED TO | |
| | | | | SCALE 1:2 | | SHEET 4 OF 4 REV E | |