

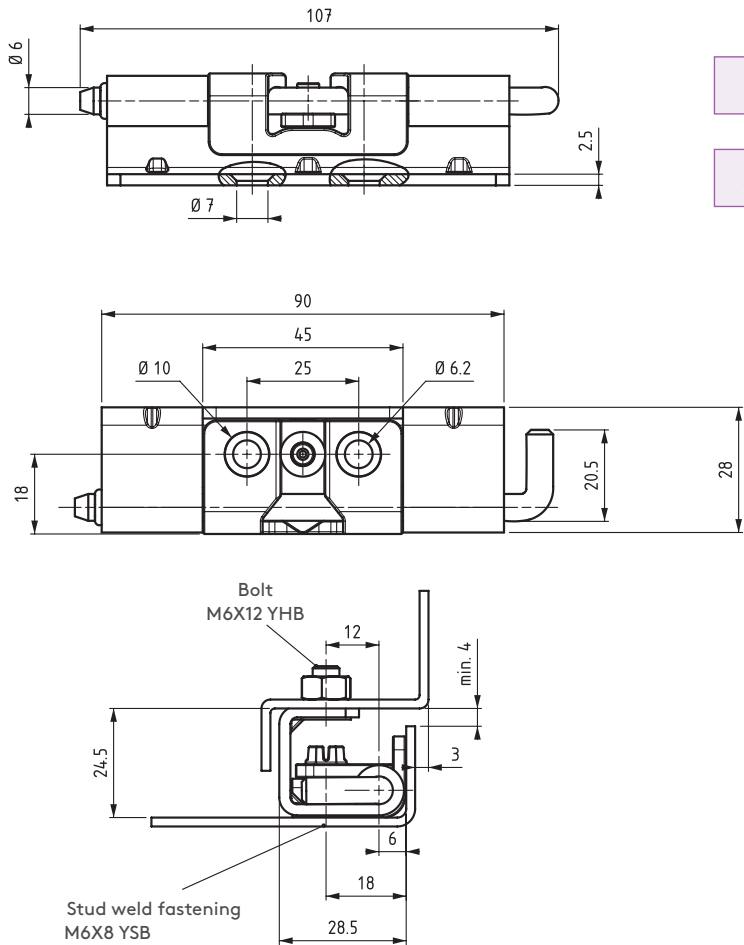


995

CONCEALED HINGE



LH/RH



- Suitable for heavy-duty applications
- Suitable for Left- and right-hand applications
- Suitable for 25 mm bend door cabinets
- Door part can be removed by a screw

**APPLICATIONS**  
Electric panels, machinery covers

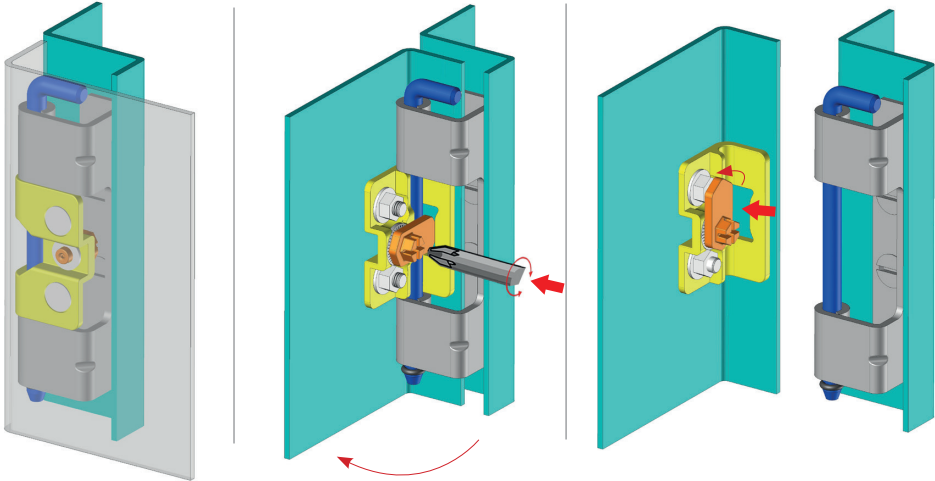
**MATERIAL**  
BODY: Steel  
WELDING PART: Zamak DIN-EN 1774-ZnAl4Cu1

**FINISH:**  
BODY: Zinc plated  
WELDING PART: Zinc plated

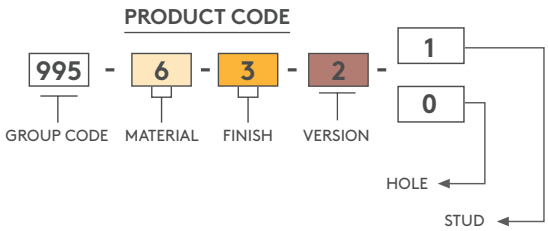
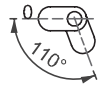
Position 1  
Closed door

Position 2  
After the door is opened, cam is rotated 90° with a screwdriver

Position 3  
The cover is removed



Hinge Rotation Angle



**Note:** Bolts and nuts are not supplied